

RCS Sure 24-10, 25-5, 25-10 Actuators

KIT CONTENTS

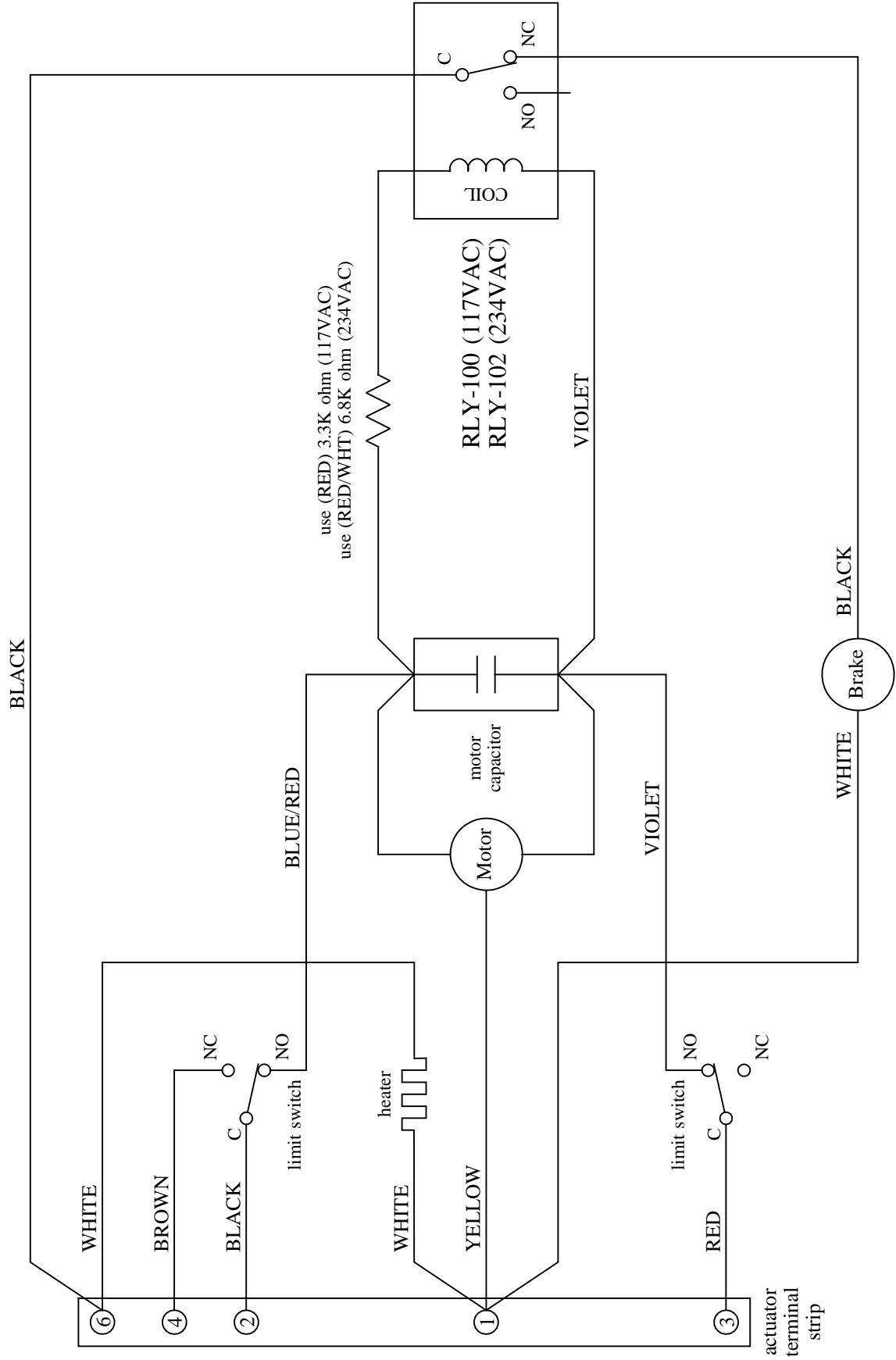
| QTY | DESCRIPTION |
|------------|-------------------------------------------------------------------|
| 1 | actuator bracket |
| 2 | #10-24 x 2.25" socket head bolt (NEMA 4) |
| 2 | #10-24 x 2" socket head bolt (NEMA 7) |
| 2 | #10 split ring lockwasher |
| 6 | #6-32 x 0.375" pan head screw |
| 1 | #6-32 x 0.375" socket head cap screw |
| 4 | #6 split ring lockwasher |
| 2 | 1.75" round steel spacer (NEMA 4) |
| 2 | 1.44" round steel spacer (NEMA 7) |
| 1 | 0.312" round nylon spacer |
| 1 | potentiometer gear |
| 1 | output shaft gear |
| 1 | potentiometer anti-slip washer |
| 1 | 3.3K ohm resistor assembly, red wires (117VAC motor) |
| 1 | 6.8K ohm resistor assembly, red/white wires (234VAC motor) |
| 1 | 10" violet wire (spade terminal one end, flag terminal other end) |
| 1 | 6" black wire (spade terminal one end, fork terminal other end) |
| 1 | 11" yellow wire (fork terminal one end) |
| 1 | 11" black wire (fork terminal one end) |
| 1 | 11" red wire (fork terminal one end) |
| 1 | 10" white/black wire (fork terminal one end) |
| 1 | 22-18 AWG spade terminal |
| 6 | 6.3" nylon tie wrap |

RELAY

WIRING DIAGRAM

RCS Sure 24-10, 25-5, 25-10 Actuators

Note: Rewire actuator as shown below prior to installing a controller.

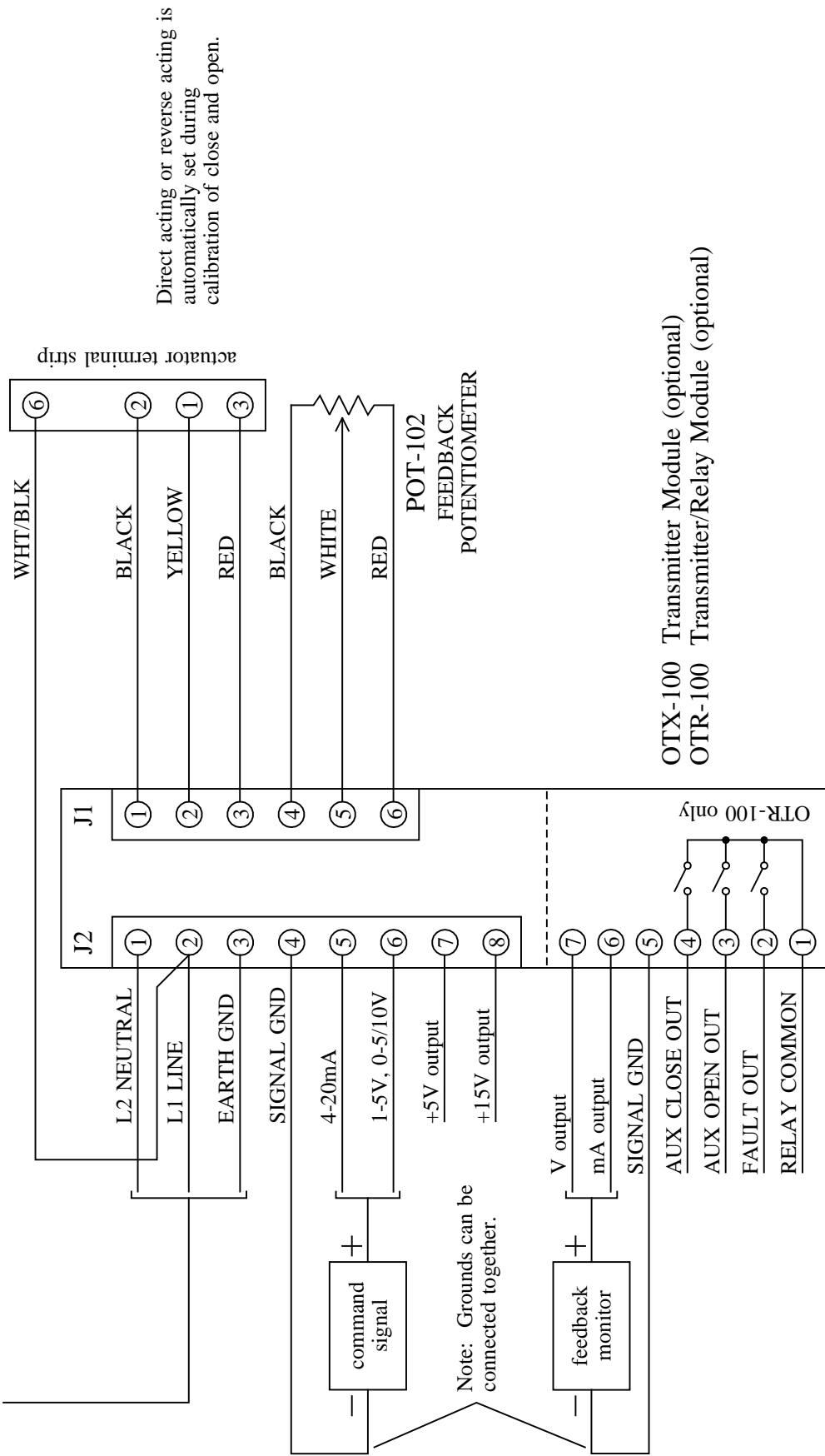


AC DIGITAL POSITIONERS

WIRING DIAGRAM

RCS Sure 24-10, 25-5, 25-10 Actuators

117VAC DHC-100
234VAC DHC-100A



Direct acting or reverse acting is automatically set during calibration of close and open.

OTX-100 Transmitter Module (optional)
OTR-100 Transmitter/Relay Module (optional)