

# ▲ PEAKTRONICS

F J E/523"

Fkikvcn" Jki j/Tguqnwvkqp"  
5/Rj cug"Eqpvtqmg

KHBDNRFQLEFQOGJHQHDERQKLJK  
SHIREPQFHLJLDRMRQHIQHOGMFRQBO SKDM  
DFMNU SRGLQK W SRLQWI HKOMRQZ  
TXDUW DFNU DQJQJIRP MF W MF DQG  
DHGIRU GXRUPRH KH & KDYPDQ\DX  
KPDFD DGNQFHIDMW KDVZOOHQKDQB\DFMNU  
KLOHPDNLQJLMDKLOMOODQGMV

KH MPSOHWHHEQFRQWOLX MGRFRQILJN  
DOODDPHWHHQLVQHGRUDZGHMUDHWRIDSSOLF  
ERQDQGDORH openDQ closed

~~DFMNU~~

XV FDQH FKH IE DEN FRPDQ W  
P\$ 9 9 9 9 R DDO FRPDQ  
LFRPDQ

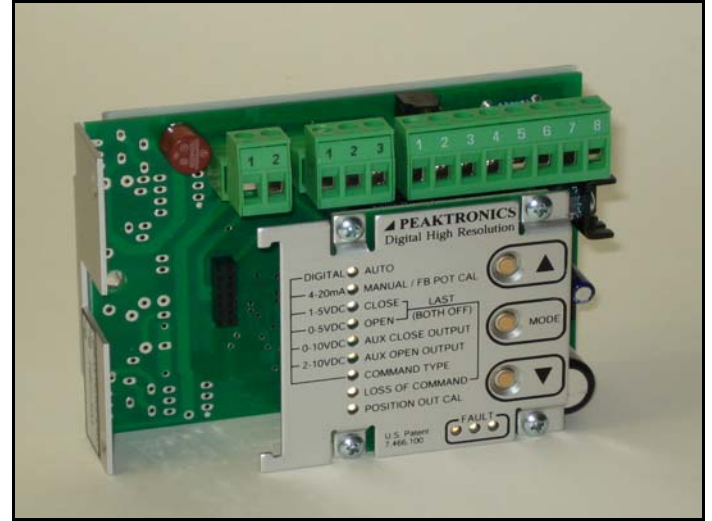
9 DRDREHKE

XV SW W IEMX XFK DVDW IE DEN  
DO FXV R BH IXDU WK H IDXOE  
FDFORPXEDEDL

DFFE H KK D DO FRPX DDV PRE  
BGRDY

7KDFDEN

PRE W W VE 7H & V D3HNV  
DQ DE FFEV  
W



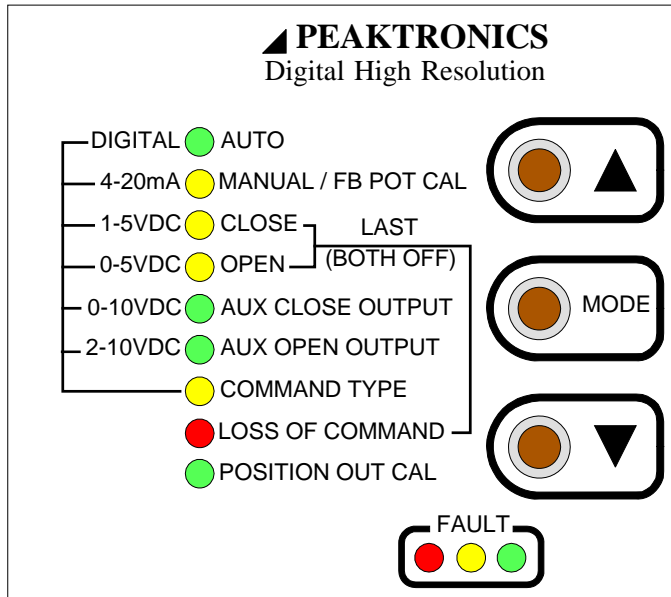
F J E/523" 339XCE"

## HGCVWTGU"

- ○
- Cfcrvkxg" Eqpvtqn" hgcwvtg" eqpvpwqwn{" cflwuvu" hqt" nqc f" cp f" cevwcvt" eqp fkvkqpu" cp f" gnk o kpcvgn" ecnkdtcvkqp" rtqegfg" cp f" cwvq/ecn" qrgtcvkqpu0
- 
- Rqnc tkv{" Fgygevkqp" hgcwvtg" cmny u" fktgevt" tngxgtug" cevki" qrgtcvkqp" kvjqwv" tg/ytkpi0
- Uvcnn" Fgygevkqp" hgcwvtg" rtqgevu" cevwcvt" o qvqt" htq o " c" uvcnn" eqp fkvkqpu0
- Fwv{" E{eng" Eqpvtqn" hgcwvtg" rtgxgpvulj wvfq yplq" c" rtqegu" fwg" vq" c" vjgt/ o cn" qxgtnc f" qh" vjg" cevwcvt" o qvqt" cp f" cmny u" cevwcvt" tucvfg" hqt" 47 ' "fwv{" qt" o qtg" vq" dg" uchgn{" wugf0
- ○

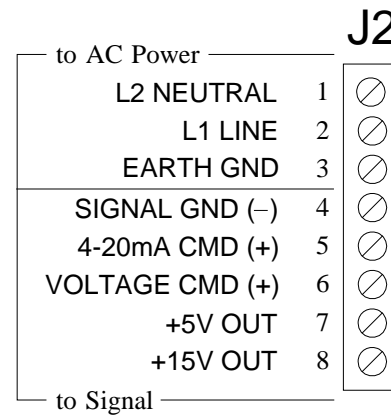
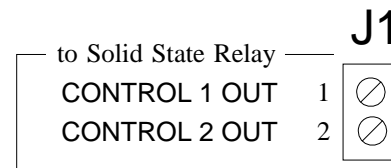
# QWVNKPG"

DHC-301 117VAC

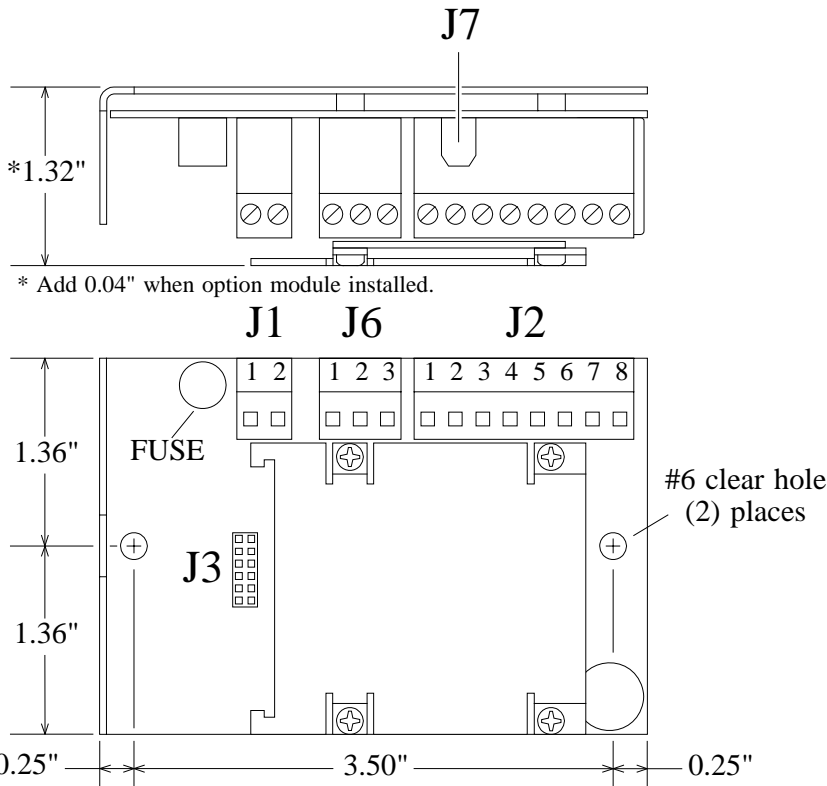
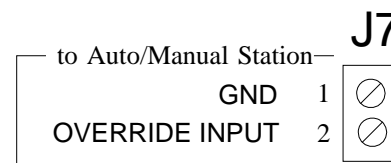
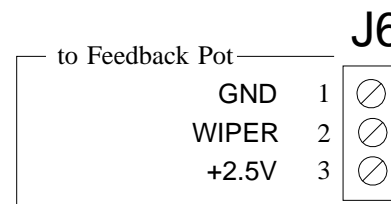


FRONT PANEL

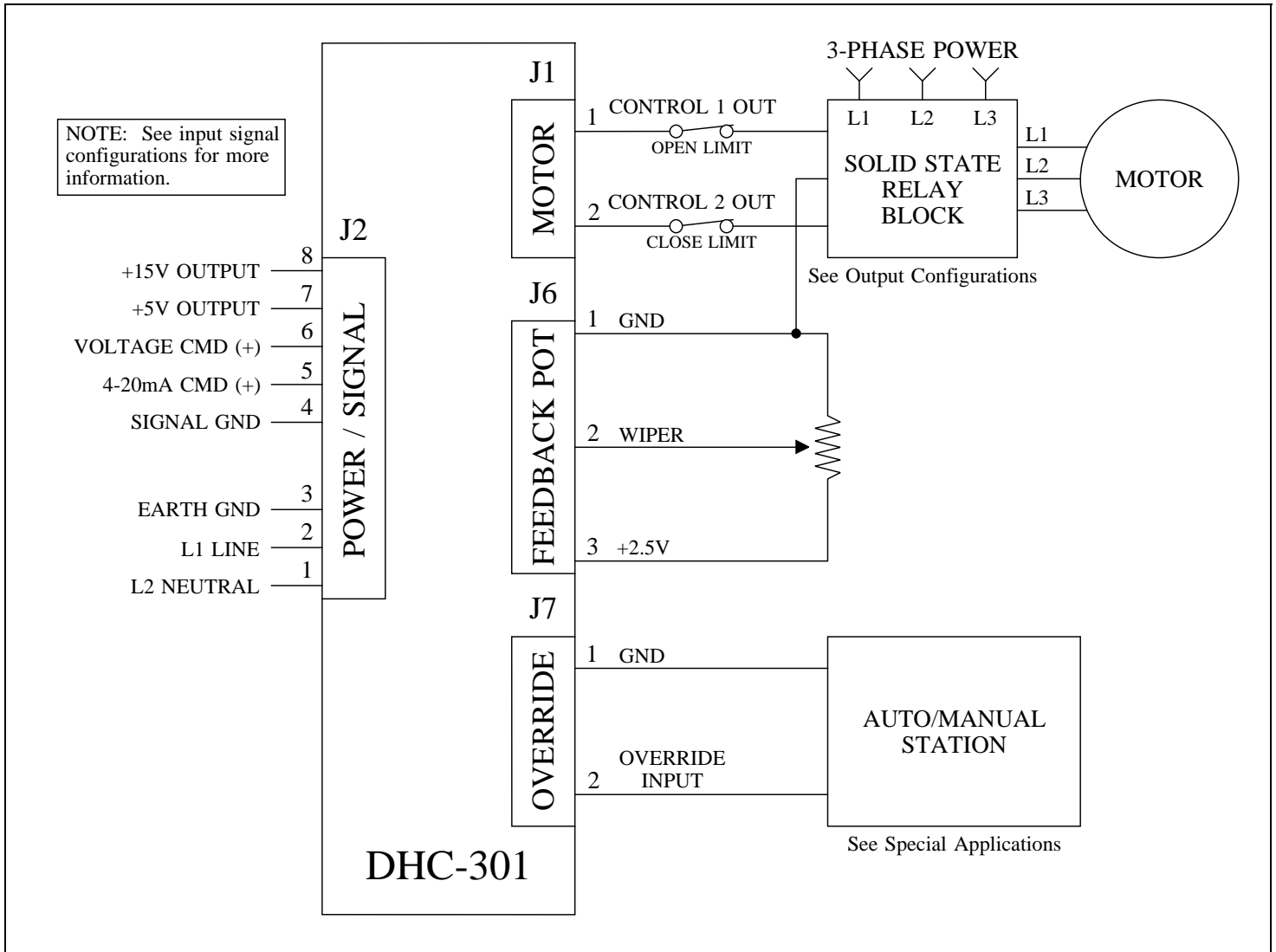
## ELECTRICAL CONNECTIONS



## J3 OPTION MODULE CONNECTOR



# DNQEM"FKC I TCO "



# FGUETKRVKQP"

Vjg" F JE/523"ku" rqygtg" d{ "c"ugeqpfct{ "uqwteg"qh" 339"XCE"±

UJQEM" JC\CTF#" " Vjgug" wpkvu" ctg" kpvpgfg" vq" dg" o qwpvgf" kp" cp" crrtqrkcvg" gpenquwtg" eqppgevgf" vq" gctvj" itqwpf" vjtqwij" ytkpi" qt" rkrkpi" Jkij" xqncigu" ctg" rtgugpv" qp" vjg" qvwukfg" qh" vjg" wpkv" yjgp" rqygt" ku" errnkfg" Vjg" rqygt" uqwteg" ujqwnf" dg" fkueqppgevgf" rtkqt" vq" cp{ "ytkpi" qh" vjgug" wpkvu" vq" cxqkf" cp" gngevtkecn" ujqem

QWVFQQT" EQPUKFGTCKVKQP#" C" jgcvgt" cpf" vjgt" o quvev" ujqwnf" dg" wugf" yjgtg" nqy" vgo" rgctcvwtgu" cpf" lqt" eqpfgpucvkqp" o c{ " qeewt" Kpucvcmkpi" c" enc{ " dcugf" fgukeecpv" rcemgv" cv" vjg" vk" o g" qh" hkpcn" ceeguu" rtkqt" vq" ugcnkpi" vjg" eqxgt" ku" jkij" tgeq" o g" pfgf" Vjku" ykm" tgfweg" vjg" fgy" cpf" htquv" rkpvu" d{ " tgfwekpi" vjg" tgcvcxg" jwo" kfv{ " kpukfg" vjg" cevwcvt

RQ YGT"1"UK I PCN"\*L4+"

Rq ygt ku"eqppgevgf"vq"rkpu"3."4."cpf"5"cu"ujqyp"kp" vjg"dnqem"fkicite o"cpf"ku"rtqxfkgf"d{"c"ugeqpfct{"CE" uqwteg"ugrctcvg"htq o"vjg"5/rjcug"o qvqt"rqygt0"Vjg"hwug" kpuvcmgf"qp"vjg"wpkv"ku"tcvgf"htq"uchg"qrgtcvkqp"qh"vjg"wpkv0" Tgrnceg o gppv"hwugu"ujqwnf"dg"qh"cp"gswxngpv"uk|g"cpf" v{rgl0"Qvjgt"hwug"v{rgu"ecp"dg"wguf"/"eqpuwnv"vjg"hcevt{" hqt"crtrtqtkcvg"uwduvkvwvgu0"

Cp"crtrtqtkcvg"eq o o cpf"ukipcn."gkvjgt"2/7X."2/ 32X."3/7X."4/32X."qt"6/42 o C."ujqwnf"dg"eqppgevgf"vq"rkp" 7"qt"8"\*cu"ujqyp"kp"vjg"dnqem"fkicite o+"y jkng"wukpi"rkp"6" cu"vjg"tgwtp"signal ground 7

~~IKFRPD~~

~~DO\$73~~

3QR- ~~MDXDX~~

~~KKD~~

~~FRPD~~

~~RD~~

~~DXDU~~

~~KWKD~~

~~KWBW~~

U

OQVQT"\*L3+"

Vjg"o qvqt"eqpvtqn"qwwrvwu."Eqpvtqn"3"Qwv"\*rkp"3+" cpf"Eqpvtqn"4"Qwv"\*rkp"4."rtqxfkgf" c"fkikvcn"ukipcn"\*kp"tg/ urgev"vq"L8/3+"hqt"ftkxkpi"5/rjcug"uqkf"uvcvg"tgnc{u"vjcv"ctg" wugf"vq"eqpvtqn"vjg"o qvqt0"Rkp"3"ku"ugv"vq"crtrtqzk o cvn{" -6X"vq"vwtp"vjg"o qvqt"qp"vqyctf

~~DRD~~

closed

~~KW~~

~~DRP~~

~~FR~~

~~DC~~

~~WID F W D W U S Q M W W R 9~~

~~FR~~

~~FR~~

HGGFDCEM"RQV"\*L8+"

Vjg"hgfdcem"rqvgpvkq o gvt"ku"eqppgevgf"vq"L8"cu" ujqyp"kp"vjg"dnqem"fkicite o0"Vjg"hgfdcem"rqvgpvkq o gvt" ykrgt"o wuv"dg"eqppgevgf"vq"rkp"4."y jkng"qpg"gpf"ku"eqp/ pgevgf"vq"rkp"3"cpf"vjg"qvjgt"gpf"vq"rkp"50"Vjg"nctkv{" Fgvgevkqp"hgcvwtg"qh"vjg" F J E/523"cwvq o cvkecm{"fgvt/ okpgu"y jkej"o qvqt"ftkgevkqp"vq"eqpvtqn"dcugf"qp"y jgtg" vjg"open DQ closed

~~HD~~

~~KWBW~~

~~DF~~

QXGTTKFG"\*L9+"

L9"rtqxfkgf" c"uk o rng"4/yktg"eqppgevkqp"vjcv"ecp" qxgttkfg"vjg" F J E/523"vq"rgthqt o" c"xctkgv{"qh"gzvgtpcn" eqpvtqn"hwpevkqpu0"Wukpi"cp"crtrtqtkcvg"kpvgthceg"o qfwng." eq o o qpn{"wugf"cwvq o cpwcn"uvcvkqp"uykvejgu"ctg"gcuka{" k o rng o gpvvf"ykvj"nqy"xnvciglqy"ewtgpv"uykvejgu0"Ugg" Urgeken"Crnkcevkqpu"htq" o qtg"fgvcknu0" Vjg"hcevt{"kp/ uvcmgf"lw o rgt"dgvyggp"rkpu"3"cpf"4"gpdcngu"pqt o cn"qrgtc/ vkqp"qh"vjg" F J E/523"cpf" o wuv"gpucmgf"kh"vjg"gzvgtpcn" qxgttkfg"hwpevkqpu"ctg"pqv"wguf0"

OQFG"

Vjg"OQFG"dwvvp"ku"wguf"vq"ugngev"vjg"fguktgf" hwpevkqp"qh"qrgtcvkqp0"Y jgp"vjg"OQFG"dwvvp"ku"rtguugf." vjg"wpkv"ykm"uykvej"vq"vjg"pgzv"hwpevkqp"cpf"vjg"crtrtqtk/ cvg"NGF"kpfkcevt"ykm"vwtp"qp"vq"ngv"vjg"wguf"mpqy"y jkej" hwpevkqp"ku"ugngevgf0"Gzegrv"htq"vjg"OCPWCNIHD"RQV" ECN"o qfg."vjg"cuuqekcvgf"o qfg"kpfkcevt"ykm"dg"uvpcf{" qp="hqt"uq o g"qh"vjg"o qfgu"qvjgt"kpfkcevt"ykm"hcuj"vq" kpfkcevg"urgekhe"ugvkiu"cuuqekcvgf"ykvj"vjg"o qfg0"Gcej" qh"vjg"o qfgu"ku"fguetkdgf"kp"o qtg"fgvckn"kp"vjg"hqmqy kpi" ugevkqpu0"

Kh" c"2/7X"qt"2/32X"eq o o cpf"ukipcn"ku"wguf."vjg" NQUU"QH"EQO OCPF"hwpevkqp"ecppqv"dg"wguf0" Vjg" OQFG"dwvvp"ykm"umkr"qxgt"vjg"NQUU"QH"EQO OCPF" o qfg"y jgp"vjg"wpkv"ku"eqphkiwtgf"htq" c"2/7X"qt"2/32X" eq o o cpf"ukipcn" \*ugg"EQO OCPF" V [RG+0" Y jgp"vjg" QXGTTKFG"o qfg"ku"gpdcngf" \*ugg"QXGTTKFG"OQFG+." vjg"OQFG"dwvvp"ku"fkucdngf"cpf"vjg"OcpwcnlHD"Rqv"Ec n" kpfkcevt"ykm"vwtp"qp"uvpcf0"

CFLWUV"WR"\* +"cpf"CFLWUV"FQ Y P"\* +"

Vjg"cflwuv"wr"\* +"cpf"cflwuv"fqyp"\* +"dwvvp" ctg"wguf"vq"cflwuv"vjg"ugvkiu"qh"cp{"ikxgp"hwpevkqp0"Y jgp" c"hwpevkqp"ku"ugngevgf"d{"vjg"OQFG"dwvvp."vjg"cflwuv"dwv/ vqpu"ykm"chhgev"vjcv"hwpevkqp"qpn{0"Pqvg."vjcv"vjg"CWVQ" o qfg"fgu"pqv"jcxg"cp{"cflwuv"ugvkiu."cpf"vjgtghqg." vjg"cflwuv"wr"\* +"cpf"cflwuv"fqyp"\* +"dwvvp"jcxg"pq" ghghev0" Cnuq."vjg" cflwuv"dwvvp"ctg"fkucdngf"kp"vjg" QXGTTKFG"o qfg0"

QXGTTKFG"OQFG"

Vjg"QXGTTKFG"o qfg"ku"pqv"ugngevgf" d{"vjg" OQFG"dwvvp"cpf"ecp"dg"gpdcngf"cv"cp{vk o g d{"eqppgev/ kpi" c"tgukvcepeg"i tgevgt"vjcp"472"qj o u"vq"vjg"Qxgttkfg"kp/ rww"\*L9"rkp"3"cpf"rkp"4+0" Y jkng"vjg"QXGTTKFG"o qfg"ku" gpdcngf."vjg"OQFG"dwvvp"cpf" cflwuv"dwvvp"ctg"fkuc/

dngf." cpf" vjg" OcpwcnHD" Rqv" Ecn" kp fkecvqt" yknn" vwtp" qp" uvgef{"vq"kp fkecvg"vj cv"vjg"wpkv"ku"dgkpi" eqpvtqmgf" d{"vjg" Qxgttkfg" kprwv"U jqtvkpi" L9" rkp"3"vq" rkp"4" tgvwtpu"vjg"wpkv" vq"pqt o cn"qr gtckvp" cpf"vjg" rtgkxkwun{"ugngevgf" o qfg" " Eqpvtqmgkpi"vjg" F J E/523"htq o" vjg"Qxgttkfg" kprwv" ku"ceeq o rnkujgf" d{"eqppgevkpi" c"urgekhke" tgukuvcepg"vq"ug/ ngev" c"urgekhke"qr gtckvp" Vjg"vcndg" dgnqy" fghkpgu"vjg"qr/ gtckvp" cpf" vjgk" cuuqekcvgf" tgukuvcepg" Ugg" Urgeken" Cr/ rnkecvkpu" hqt" fgvekn" qp" wukpi" vjg" Qxgttkfg" kprwv" hqt" cp" Cwvqi Ocpwcn"Uvcvkp"

"	TGUKUVCPEG"	QRGTCKVKQP"
"	@"605M"qj o u" "	QHH"
"	505M"qj o u" 07 ' "	NCVE J"
"	4M"qj o u" 07 ' "	QRGP"
"	304M"qj o u" 07 ' "	ENQUG"
"	732"qj o u" 07 ' "	UVQR"

" Vjg"QRGP"hwpevkqp" yknn"qr gtckvg"vjg" o qvqt"kp"vjg"

open HD W3(1 P6W

36(IXD) closed HD

D6( PFXD)

PD(DIXD)

PR(D6(1D6(

IXD)) DQ723IXD

KKDQWB(1 B(IXD

1W3(1 DQ6(IXD\

openDQ closed

B(1D6(PFX

RDED) open R closed

DHF(DIFDXFXU

B7,1;256W P

ID BPD)

HD)

2055,( P(D) DF

F(D) D(D) K(D) DQ

D(D) )6723IXD

7R(D) X(D) D(D) H(L

W(D) 7(21 Q

23(1 B( B(D) D(D) D(I

W) )6723IXD

CWVQ"

" Vjg"CWVQ"hwpevkqp"ku"vjg"pqt o cn" o qfg"qh"qr gtc/ vkqp" hqt"vjg" F J E/523=" cmm"vjg"qvjgt"hwpevkqp" ctg" wugf"vq" ugv"wr"vjg"wpkv" Y jkng"kp"CWVQ."vjg"wpkv"ecp"dg"eqpvtqmgf" d{"xctkqu"gzvgtpcn"uki pcnu."uq o g"qh" y jkej"ecp"dg"ugngevgf" d{"vjg"EQO OCPF"V [ RG"hwpevkqp" Y jgp"vjg"wpkv"ku"pqv" kp"vjg" CWVQ" o qfg."cmm"gzvgtpcn"eqpvtqnu" fguetkdgf" dgnqy" yknn"dg"fkucdngf"

" Qpeg"vjg"openDQ closed

72 P(D) F(D)

DF(D) RPD(D) D(D)

~~D(D) W~~

~~Q(D) S(D) W~~

~~I(D) D(D) F(D)~~

~~closed~~

~~D(D) W(D) S(D)~~

~~DF(D) open~~

~~9~~

~~RP(D) RPD(Q~~

~~D(D) D(D) D(D)~~

~~W(D) D(D) X(D) W(D)~~

~~LD(D) D(D) RPD(Q~~

~~W(D) S(D) RPD(Q D(D) S(D) W~~

~~D(D) RPD(Q D(D)~~

~~LD(D) RPD(Q D(D)~~

~~X(D) D(D) RPD(Q) 72 D~~

~~D(D)~~

~~FRPD(D) S(D)~~

OCPWCNIHD"RQV"ECN"

" Vjg" OCPWCNIHD" RQV" ECN" hwpevkqp" cmmqyu" o cpwcn"qr gtckvp"qh"vjg"cevwcvt" d{"wukpi"vjg" cflwuv"dwv/ vqpu"\* "cpf" +ykvjvqvw"chhgevkpi"cp{"qvjgt"ugvvpkiu"ykvj/ kp"vjg" F J E/523" Y jgp"vjg" "dwwvp"ku"rtguugf."vjg"Eqp/ vtqn"3"qvwrvw"\*L3/3+" yknn"dg"- 6X"kp"tgurvev"vq"L8/3" Y jgp" vjg" "dwwvp"ku"rtguugf."vjg"Eqpvtqn"4"qvwrvw"\*L3/4+" yknn" dg"- 6X"kp"tgurvev"L8/3"Vjg" HD" RQV" ECN" hgevwgt" rtq/ xkfgu"cp"kp fkecvkqp"qh"vjg"hgfgdcem"rqvvpvkq o gygt"u"ugvvpki" Y jgp"vjg" OCPWCNIHD" RQV" ECN" hwpevkqp"ku"ugngevgf." vjg"OcpwcnHD"Rqv"Ecn"kp fkecvqt" yknn"vwtp"qp"/"kv" o c{"hncuj" qt"dg"qp"uvgef{" fgrgpfkpi"qp"vjg"cevwcvt"rqkvkqp" Vjg" kp fkecvqt" yknn"dg"qp"uvgef{" y jgpqxt"vjg" F J E/523" fgvgvdu" vj cv"vjg"hgfgdcem"rqvvpvkq o gygt"ku"cv" o kftcpig"qh"kvu"tqvc/ vkqp" Cu"vjg"cevwcvt" o qxgu."ecwukpi"vjg"hgfgdcem"rqvp/ vkq o gygt"vq" o qxg" c y c {"htq o" okftcpig."vjg"kp fkecvqt" yknn" dgikp"vq" hncuj." cpf"vjg"kp fkecvqt" yknn" hncuj" cv" c" fgetgcu/ kp in{"unqygt"tcvg"cu"vjg"cevwcvt" o qxgu"hwvtvjgt"cy c {"htq o" okftcpig"

" D{"wukpi"vjg" cflwuv"dwvvpq"vq"rqkvkqp"vjg"cevwc/ vqt"vq" o kfvvtqmg"\*jcnh"yc {"rqkv"dgvyggp"vjg"fguktgfen

DQ closed F(D) D(D)

~~D(D) X(D) D(D) W(D) F(X) D(D) W~~

~~D(D) F(D) D(D) P(D) P(D) D(D) F(K~~

~~W openDQ closed~~

ENQUG"

" Vjg" ENQUG" hwpevkqp" ku" wugf" vq" ugv" vjg" fguktgf" closed F(D)

~~D(D) C(F) S(D) X(D) P(D)~~

~~D(D) S(D) S(D) 27 D(D) W(D)~~

~~K(D) D(D) D(D) 7(S~~

FGVGEVKQP" HGCVWTG+0" "kp" vjg" ENQUG" hwpevkqp." vjg"  
cflwuv" dwwvqpu" ctg" wugf" vq" ugv" vjg" cevwcvt" vq" cp{" fguktgf"  
rqukvkqp." cpf" wrqp" rtguukpi" vjg" OQFG" dwwvqp" \*vq" ugngev"  
vjg" pgzv" hwpevkqp." QRGP+."jg" F JE/523" yknn" tgvckp" vjg"  
ugvkvpi" cu" vjg" fghkpgf" closed  
8(IX)  
closed  
closed  
FRPD 999P \$SDX  
RDBD closed

& & MO Q DE\ KXW Q  
PRW XWFD  
DQDDERFDXDXD  
8:; 23(1 287387 IX  
W & D E P W DFMDWW  
SDN HDG  
MXW L XQV E H H W W CH  
E

QRGP"

Vjg" QRGP" hwpevkqp" yqtmu" vjg" uc og" yc{" cu" vjg"  
ENQUG" hwpevkqp" ykvj" vjg" gzevrkqp" vjcv" vjg" cflwuv" dwwvqpu"  
ctg" wugf" vq" ugv" vjg" fguktg open  
3(IX) 3(IX)  
DFMD open  
2DX  
PDED FRPD  
P open

EQO OCPF" V [RG"

Vjg" EQO OCPF" V [RG" hwpevkqp" ku" wugf" vq" eqp/  
hkiwtg" vjg" eq o o cpf" ukipcn" kprww" hqt" gkvjgt" 6/42 o C." 3/7X."  
2/7X." 2/32X." 4/32X." qt" Fkikven

CWZ" ENQUG" QWVRWV"

Vjg" CWZ" ENQUG" QWVRWV" hwpevkqp" ku" wugf" vq"  
ugv" cp" qrvkqpcn" qwwrvw" ugvkvpi" vjcv" ku" cuuqekcvgf" ykvj" vjg"  
closed  
DFMD  
DFMD  
DFMD closed  
DFMD  
DFMD  
KXWD  
DFMD  
KXWD  
XQDDERFDXDXD  
K  
8(287387IX)  
DFMD  
DFMD  
MXW  
E

NQUU"QH"EQO OCPF"

Y jgp" wukpi" 3/7X." 4/32X." 6/42 o C." qt" c" Fkikven"  
kprww" {rg" hqt" vjg" eq o o cpf" ukipcn." vjg" F JE/523" yknn" fg/  
vge" y jgp" vjg" eq o o cpf" ukipcn" ku" nquv" qt" qvw" qh" tcpig" C"  
nquu" qh" eq o o cpf" eqp fkvkqp" ku" fgvev" y jgp" vjg" kprw"  
ku" fkueqppvev" vjg" kprww" dgeq gu" ngu" vjcp" 2097X" \*hqt" 3/  
7X" kprww+." 307X" \*hqt" 4/32X" kprww+." qt" 5 o C: qt" vjg" kprww" ku"  
eqppvev" dcemy ctfu" Cp" qvw" qh" tcpig" eqp fkvkqp" ku" fg/  
vge" y jgp" vjg" vjg" kprww" dgeq gu" i tgevgt" jcp" 7047X" \*hqt"  
3/7X" kprww+." 3207X" \*hqt" 4/32X" kprww+." qt" 43 o C" K" vjg

CWZ" QRGP" QWVRWV"

Vjg" CWZ" QRGP" QWVRWV" hwpevkqp" ku" wugf" vq" ugv"  
cp" qrvkqpcn" qwwrvw" ugvkvpi" vjcv" ku" cuuqekcvgf" ykvj" vjg"  
closed  
DFMD  
DFMD  
DFMD  
open  
2XWDX

open  
closed R R DW  
open H  
IDXW Q E W IDK W IX Q QDW U  
IR W closed EXW R Q W QDW L  
R DXW  
R PRPD  
R R FRPDQ DO FD E HE Q  
7 L W XQV L F H IR D 9 R 9  
FRPDQ DO H 200\$ 73( W 02(  
K 62) 200\$ IX



Eqo o cpf" Qwv" qh" Tcpiq" /" Kh" vjg" eqo o cpf" ukipcn" iqgu"  
qvw" qh" tcpiq." vjg" hcwnv" kpfkecvkqp" ykmm" tg o ckp" qp" wpvkn" vjg"  
ukipcn" ku" dcem" kp" tcpiq" " Ugg" NQUU" QH" EQO OCPF" hqt"  
fgvcknu0"

UVCNN" FGVGEVKQP" HGCVWTG"

Vjg" Uvcmm" Fgvgevkqp" hgcvwtg" qh" vjg" F J E/523" \*ugg"  
HCWNV" KPFKECVQTU" guugpvkcm{ " rgthqt o u" c" uk o knct"  
hwpevkqp" cu" eq o o qpn{ " wugf" vqtswg" uykvejgu" = " j qy gxgt." vjg"  
fkhgtgpegu" ujqwnf" dg" eqpukfgtgf" dghqtg" gnk o kpcvkpi" vjg"  
vqtswg" uykvejgu" " Vjg" F J E/523" hgcvwtg" fagu" pqv" o gcuwtg"  
vqtswg." dwv" tcvjgt" o qvqk=" kh" vjg" hqcf" ku" ugpvkxg" vq" gzegu/  
ukxg" vqtswg." vjg" vqtswg" uykvejgu" o c{ " dg" fguktcdng0" " Ukpeg"  
eq o o qp" vqtswg" uykvejgu" ctg" o gejcpekn" fgxtegu." vjg{ " ecp"  
rtqxf" c" hckn" uchg" hgcvwtg" kp" vjg" gxgpv" qh" gnevtekn" hcknw" tgu"  
\*uwej" cu" ujqtvf" yktgu" qt" fc o cig" vq" vjg" F J E/523+0"

Vjg" Uvcmm" Fgvgevkqp" hgcvwtg" ku" wughwn" hqt" fgvgevkpi"  
y jgp" cp{ " qh" vjg" o qvqt" yktgu" dgeq o g" fkueqppgevgf0" " J qy /  
gxgt." nk o kv" uykvejgu" g o r nq{ " kp" cevwcvqt" guugpvkcm{ " fku/  
eqppgev" qpg" qh" vjg" o qvqt" ykpfkpi u0" " Vjg" F J E/523" ykmm"  
fgvgev" vjku" cu" c" o qvqt" uvcmm0" " Vq" cxqkf" vjku" eqpfkvpkqp." vjg"  
nk o kv" uykvejgu" o wuv" dg" ugv" qwvukfg" qh" vjg" qrgtcvkpi" tcpiq"  
ugv" d{ " vjg" ENQUG" cpf" QRGF" hwpevkqp u0"

URGEKHKECVKQPU"

RQYGT" TGSWKTGOGPVU"

339XCE" ±

EQO OCPF" UK I PCN" KPRWV"

Kprwv" K o rgfcpeg"

42M" qj o u" \*XQNVCI G" E O F" \* - + " Kprwv+ "

473" qj o u" ±

HGGFDCM" UK I PCN" KPRWV"

Kprwv" Xqnvci g<" 2" vq" 407" XFE"

Gzvgtpcn" Hggfdcem" Rqvgpvkq o gvgt<" 3M" qj o "

FWV [ " E [ ENG" EQPVTQN" HGCVWTG"

Vjg" Fwv{ " E { eng" Eqpvtqn" hgcvwtg" qh" vjg" F J E/523"  
cmqyu" cevwcvqtu" tcvgf" cv" 47 ' " fww{ " qt" o qtg" vq" dg" uchgn{ "  
wugf" kp" cwvq o cvgf" xcngx" cr rnkcevkqp u0" " Vjg" F J E/523" ce/  
ewtcvgn{ " o qpkvqtu" vjg" tgvckxg" jgvckpi" qh" vjg" o qvqt" cpf"  
cwvq o cvkecm{ " fww{ " e { engu" vjg" wpvkn" cv" c" uchg" ngxgn" y jgp" c"  
rtqegu" dgeq o gu" wpuvcdng." qt" kh" c" eqpvtqn" nqqr" ku" pqv"  
rtqrgtn{ " ugv0" " Y jkng" vjg" vjgt o cn" uykvej" kp" vjg" o qvqt" rtq/  
vgevu" vjg" o qvqt" htq o " xqgtjgvckpi." vjgt o cn" uykvejgu" ecp"  
ujwvfqyp" vjg" cevwcvqt" hqt" vgp" o kpwvgu" qt" o qtg0" " Hwtvjgt."  
v{ rkecn" vjgt o cn" uykvejgu" fq" pqv" cevkxcvg" wpvkn" vg o rgtcvwtgu"  
kpukfg" vjg" cevwcvqt" dgeq o g" vqq" jki j" hqt" qvjgt" eq o rqpgpvu"  
kp" vjg" cevwcvqt0"

Vjg" Fwv{ " E { eng" Eqpvtqn" hgcvwtg" cmqyu" eqpvkpw/  
qwu" qrgtcvkqp" qh" vjg" o qvqt" wpvkn" kv" fgvgevu" cp" gzegu" jgv"  
dwknf" wr" kp" vjg" o qvqt" \*wuwcmm{ " y gmm" dngqy" vjg" nk o kv" qh" vjg"  
vjgt o cn" uykvej +0" " Cv" vjcv" vk o g." fww{ " e { eng" qrgtcvkqp" ku" cw/  
vq o cvkecm{ " gpcdngf" cpf" eqpvkpwgu" wpvkn" vjg" o qvqt" eqqnu"  
gpqwi j" vq" tguw o g" eqpvkpwqwu" qrgtcvkqp0" " Vjg" fww{ " e { eng"  
rgtkf" ku" cr rtqzk o cvgn{ " 4" ugeqpfu" ykvj" cp" qp" vk o g" vjcv"  
cwvq o cvkecm{ " xctkgu" fgrgpfkpi" qp" vjg" jgvckpi" qh" vjg" o q/  
vqt0" " Y jkng" vjku" qrgtcvkqp" unqyu" fqyp" vjg" cevwcvqt) u" qrgtc/  
vkqp." kv" fagu" pqv" k o rcev" vjg" tguqnvkqp" rgthqt o cpeg" qh" vjg"  
F J E/523." cpf" kv" rtgxgpvu" fktwrvkqp" qh" c" rtqegu" fwg" vq" c"  
vjgt o cn" uykvej" u jwvfqyp0"



RQYGT"UWRRN [ "QWVRWVU"

" -37X"QWV"L4/:+<""322 o C" o czk o w o " \*pqv" kpenwfkpi" qrvkqp" o qfwng+" "

" -7X"QWV"L4/9+<""42 o C" o czk o w o " "

" PQVG<""Do notF~~XXXXXXXX~~

EQPVTQN"QWVRWVU"

" Qwvrvw"Xqunveig"L3/3L3/4"vq~~8/3~~<""703XFE" o czk o w o . "602XFE" o kpk o w o " "

" Qwvrvw"Ewtgtpv<""42 o C" o czk o w o " "

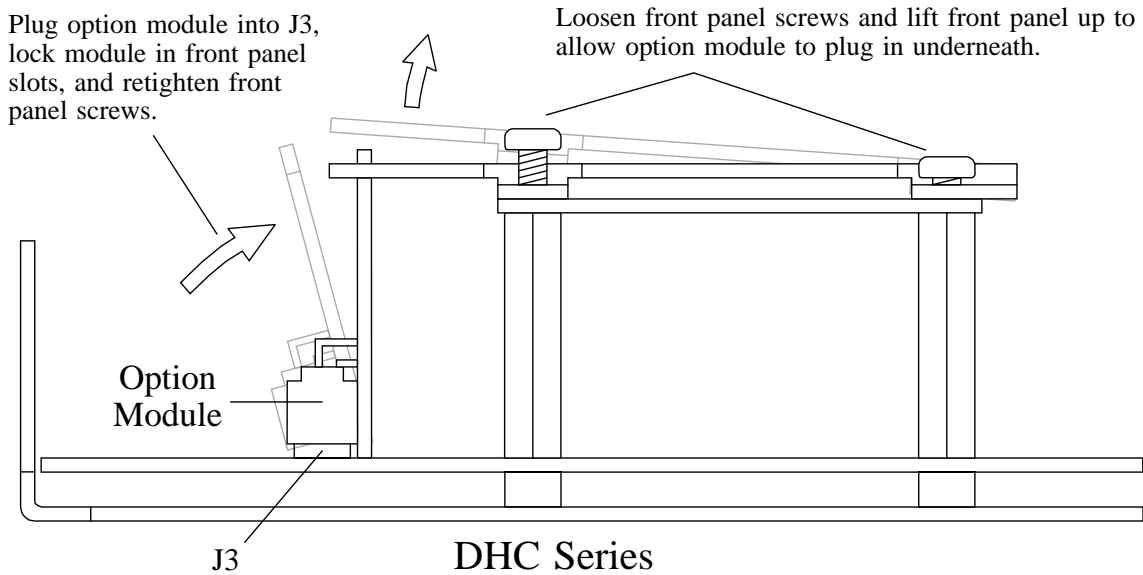
GPXKTQPOGPVCN"

" Qrgtcvkpi"Vg o rgtecvwtg"Tcpig<""2" ○

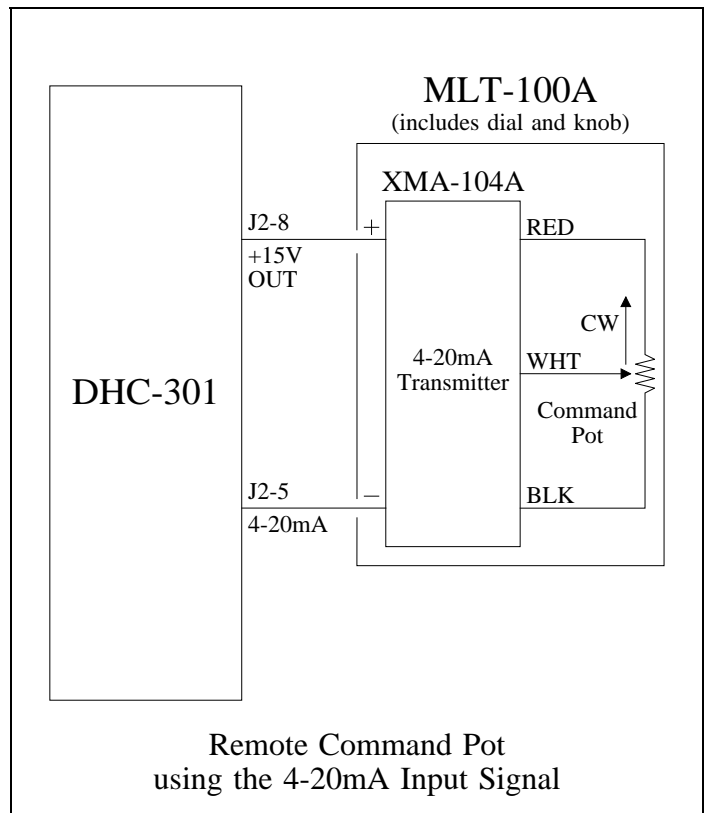
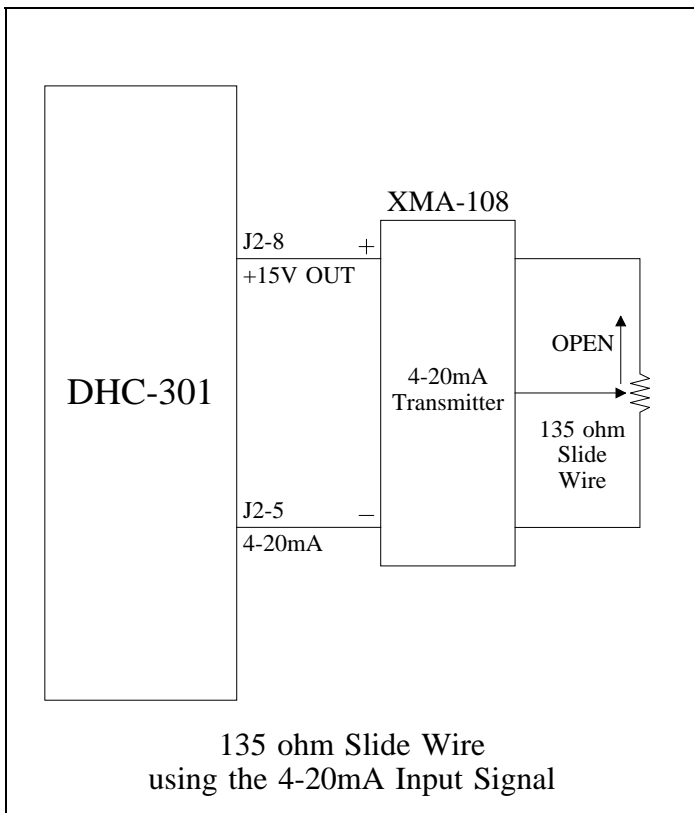
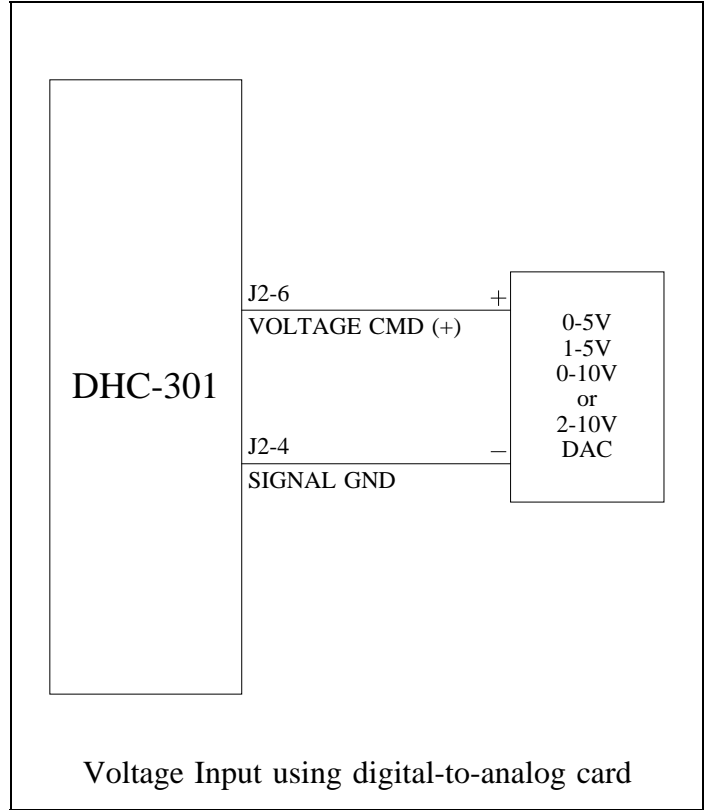
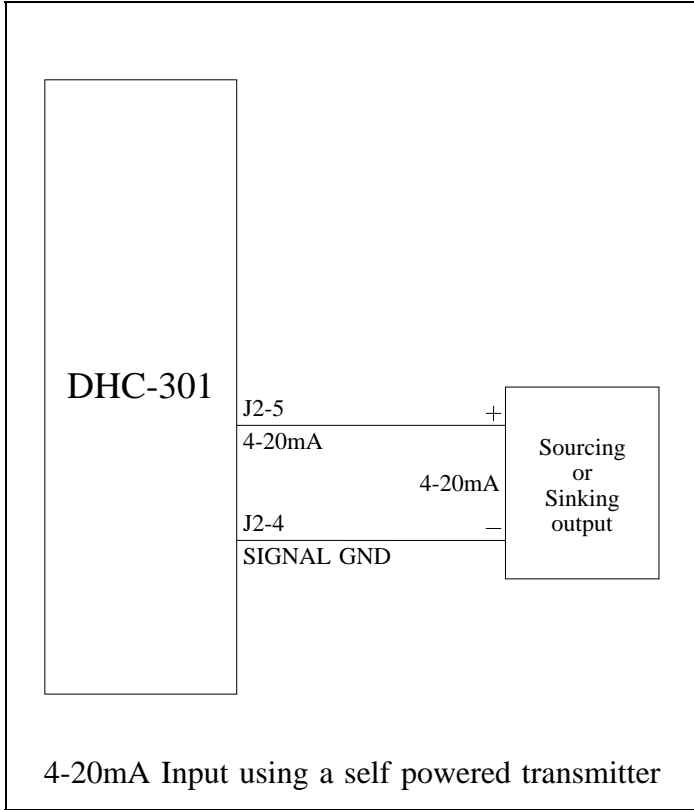
" ○ ○

### QRVKQP" OQFWNGU"

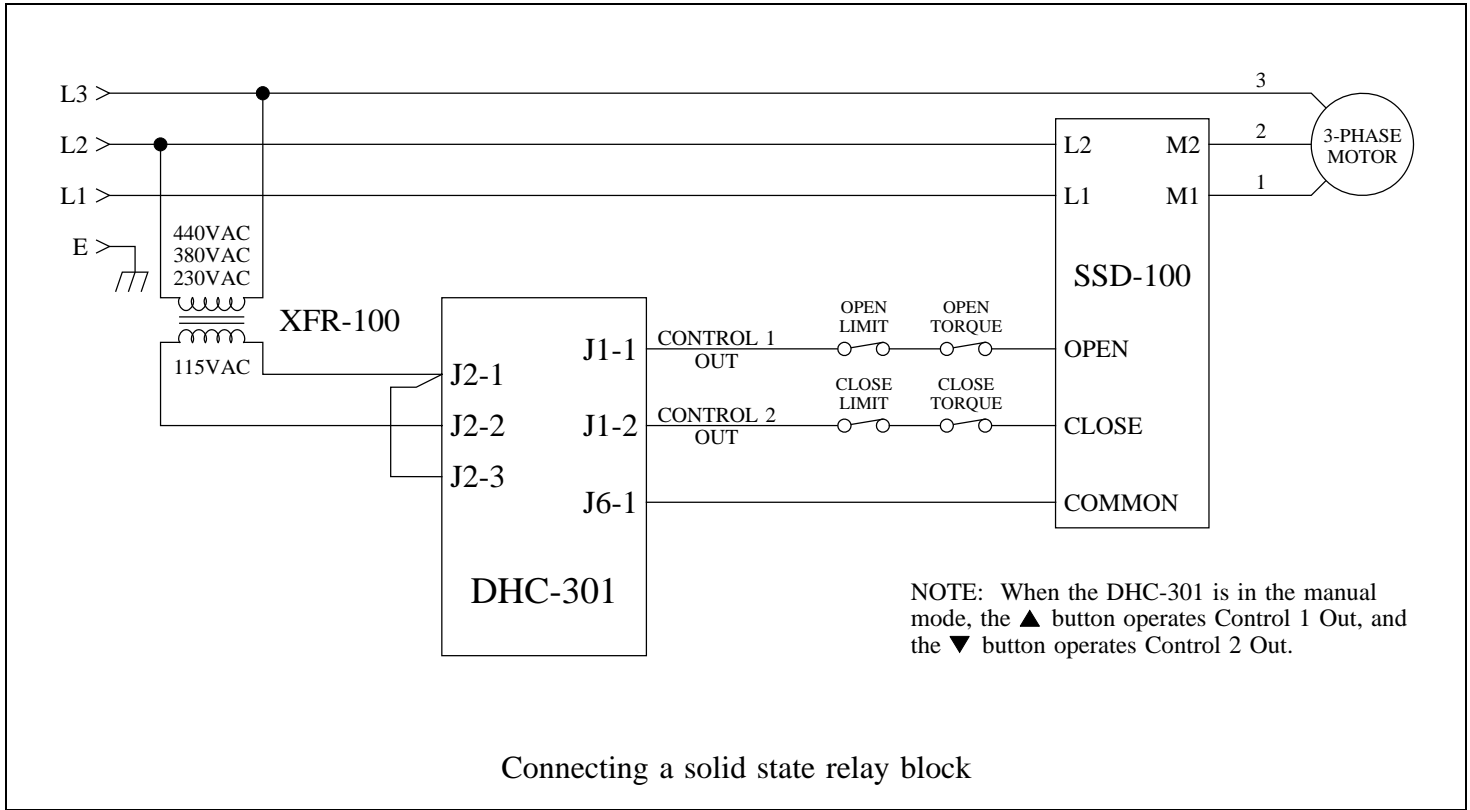
" Xctkwu" qrvkqp" o qfwngu" ecp" dg" rni igf" kpvq" vjg" Eqpvcev"vjg" hcevqt{ "hqt"vjg"ncvguv"cxckncdng" o qfwngu0""Tghgt"  
F JE/523" qrvkqp" o qfwng" eqppgevt." L50" " Qrvkqp" o qfwngu" vq" vjg" fkc ite o " dngny" hqt" kptwevkqpu" qp" kpuvcnkpi" cp" qr/  
rtqxfg" cf fkvkqpcn" hgcvtgu" uwej" cu" rqukvpq" hggfdcem" uki/ vkqp" o qfwng0"  
pcnu." cwzknkct{ "uykvej" qwvrvwu." qt" fki kvcn" eq o o wpkecvkqpu0"" "



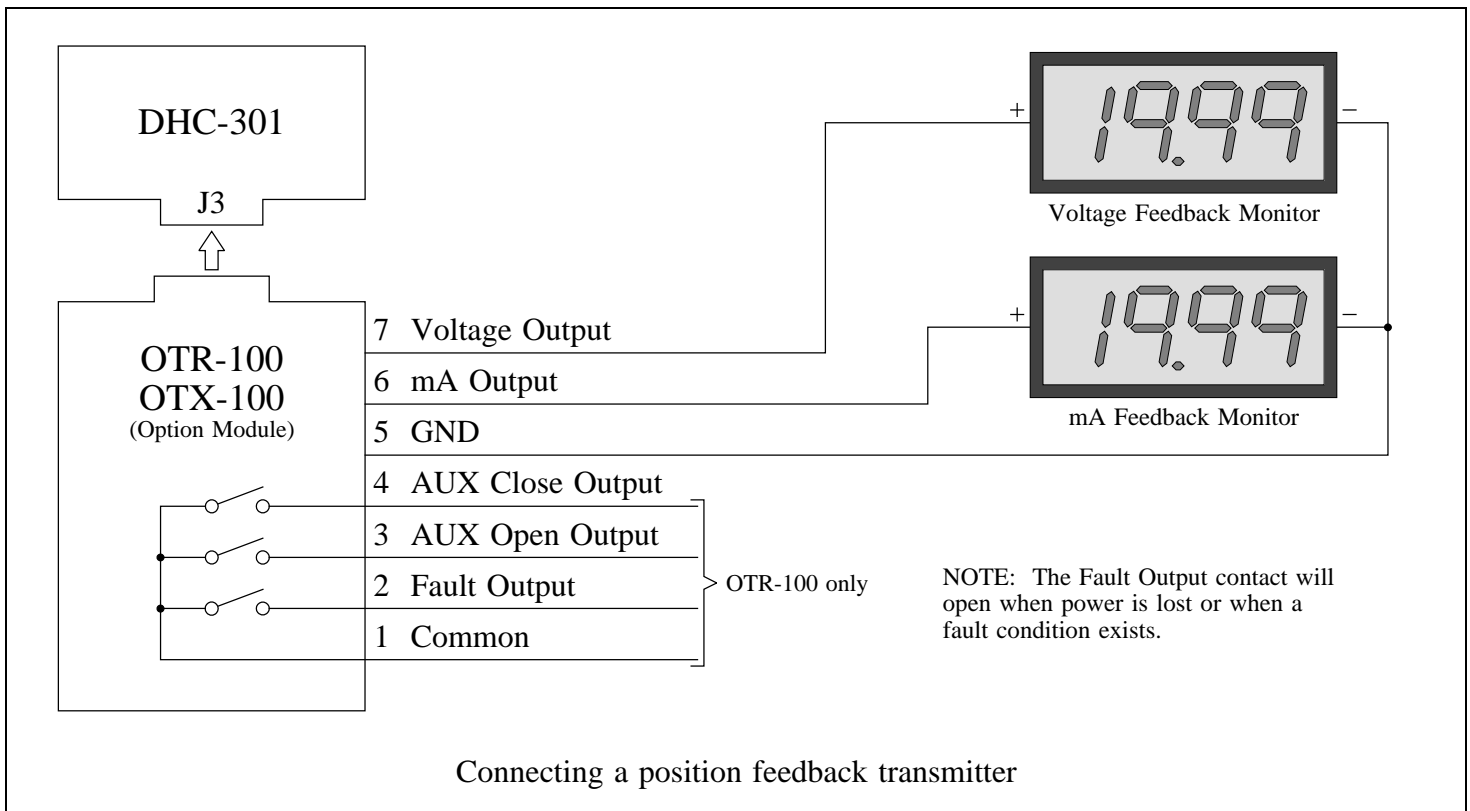
**Y KTKP I "FKC I TCOU"**  
**Kprw"Ukipcn"Eqphkiwtcvkqpu"**



# YKTKP I "FKC ITCOU" Qwrrw"Eqphkiwtcvkqpu"



NOTE: When the DHC-301 is in the manual mode, the ▲ button operates Control 1 Out, and the ▼ button operates Control 2 Out.



NOTE: The Fault Output contact will open when power is lost or when a fault condition exists.

# YKTKP I "FKC I TCOU" Urgekcn"Crnrkecvkqpu"

