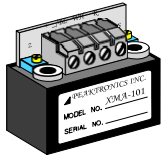
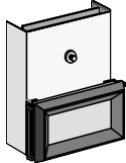


PEAKTRONICS

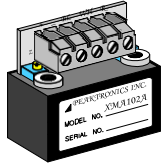
4-20mA Transmitters and Monitors



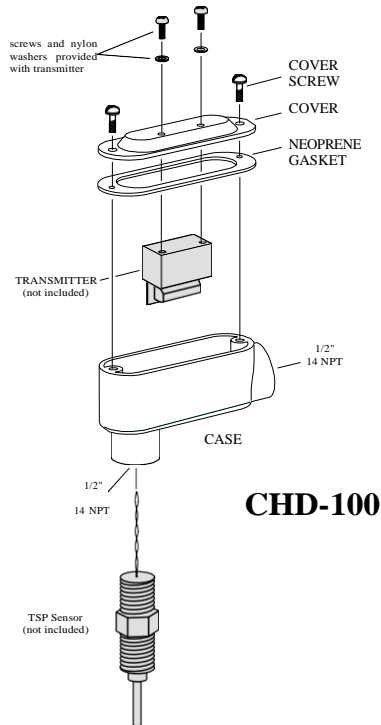
XMA-101



CLI-100B



XMA-102x



CHD-100

4-20mA Transmitters and Monitors

Model	Description	List
XMA-101	4-20mA (2-wire) Transmitter (compatible w/TSP Sensors, 0 to 200 °F)	\$ Call
ATT-100	Air Temperature Transmitter (TSP-100, XMA-101, and JBX-100)	\$ Call
CLI-100B	Current Loop Indicator (includes bezel and hardware to panel mount)	\$ Call

4-20mA (2-wire) Special Range Transmitter (compatible w/TSP Sensors)

Model	Range	List
XMA-102A	-40 to 160 °F	\$ Call
XMA-102B	-20 to 180 °F	\$ Call
XMA-102C	0 to 100 °F	\$ Call
XMA-102D	50 to 150 °F	\$ Call
XMA-102E	100 to 200 °F	\$ Call

Air Temperature Transmitter (TSP-100, XMA-102x, and JBX-100)

Model	Range	List
ATT-101A	-40 to 160 °F	\$ Call
ATT-101B	-20 to 180 °F	\$ Call
ATT-101C	0 to 100 °F	\$ Call
ATT-101D	50 to 150 °F	\$ Call
ATT-101E	100 to 200 °F	\$ Call

Mounting Hardware

Model	Package Description	List
CHD-100	Connection Head, 90° (Crouse-Hinds Nos. LB19, 190, and GASK1941)	\$ Call
ECH-100	Explosion Proof Connection Head, 90° (Crouse-Hinds No. GUAL16)	\$ Call
JBX-100	Junction Box, weather proof (includes cover, gasket, fitting, and transmitter mounting hardware)	\$ Call
MTB-100	Mounting Bracket (mounts XMA-101 or XMA-102x in ECH-100)	\$ Call