

DMC-100x wiring diagrams

This document provides wiring diagrams for existing installations that use a DMC-100x DC Motor Controller. These diagrams show the latest wiring recommended by Peaktronics, Inc. and may not necessarily represent the actual wiring in a given application. The DMC-100x units are no longer available and should be replaced with a DMC-102x controller should the unit require replacing. Refer to the latest Mounting Kit data sheet for DMC-102x recommended wiring.

CROSS REFERENCE TABLE

Actuator Brand	Actuator Models	Mounting Kit
Asahi	A92, B92, C92, S92	MKT-118
Asahi	A94, B94	MKT-147
Bettis	EM-300	MKT-122
Bettis	EM-500, -510, -520	MKT-139
Conbraco	AE200, 400, 600, 800, 1000	MKT-142
HKC	HQ-015, 020, -030	MKT-137
I-Tork	ITQ0160, 0240, 0350	MKT-155
Noah	NA15, 19, 28	MKT-119
RCS	Group 9 (DCR-10, -50, -90)	MKT-107
RCS	Group 12 (DCR-100, -160, -250, -800)	MKT-104
Tyco	EPI-6, -13, -36	MKT-106

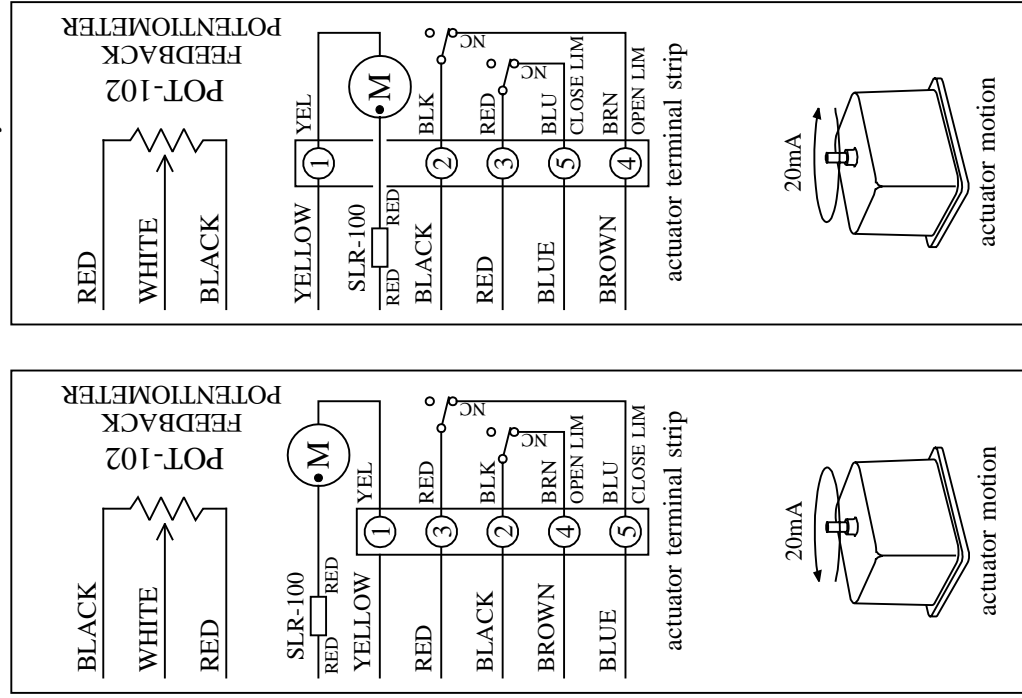
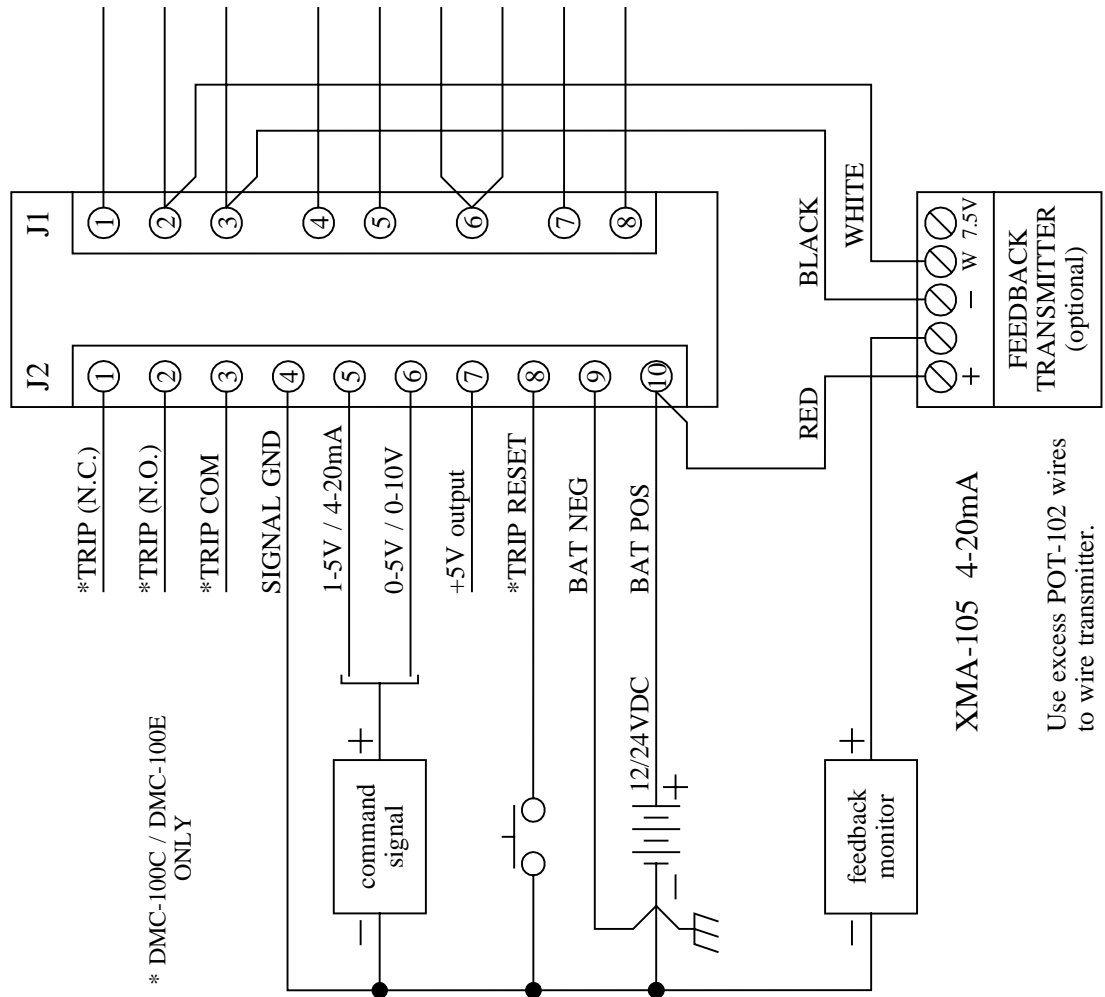
DC ANALOG POSITIONERS

WIRING DIAGRAM

RCS Group 12 Models DCR-100, -160, -250, -800 Actuators

DMC-100A / DMC-100C / DMC-100E

NOTE: SLR-100 Surge Limiting Resistor is required with 12VDC DCR-250-8 and 12VDC DCR-800-30 only.



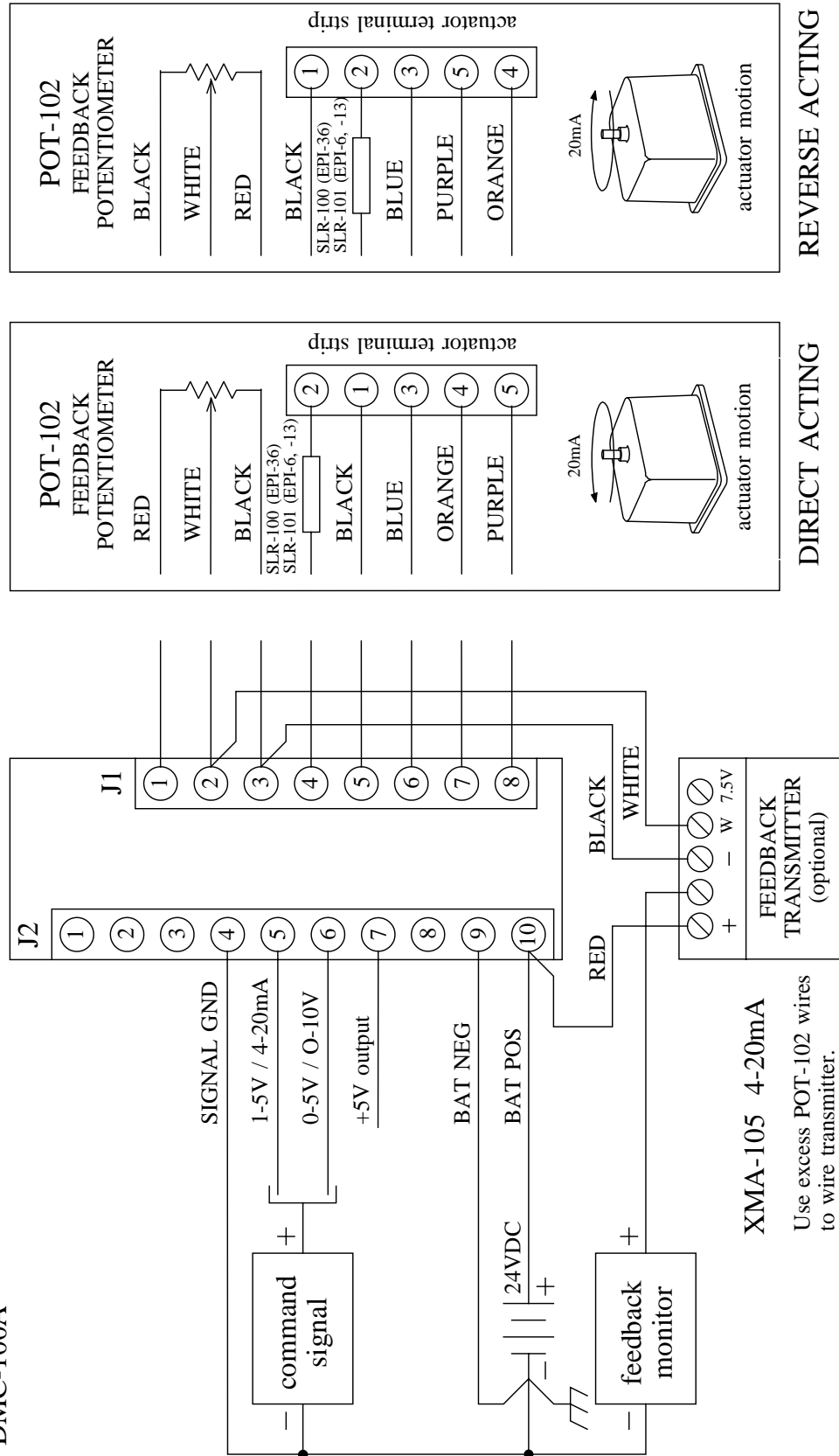
DIRECT ACTING

REVERSE ACTING

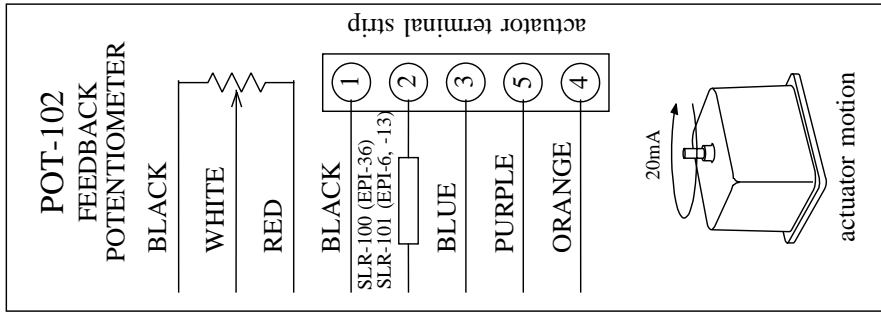
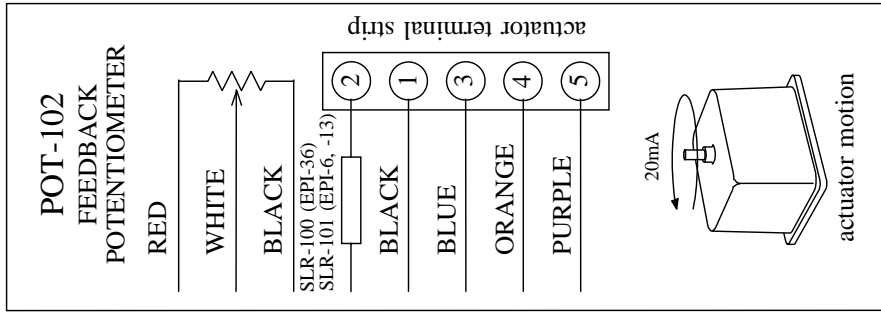
DC POSITIONERS

DMC-100A

Wiring Diagram for Tyco 24VDC continuous rated actuators
EPI-6, -13, -36



XMA-105 4-20mA
Use excess POT-102 wires to wire transmitter.



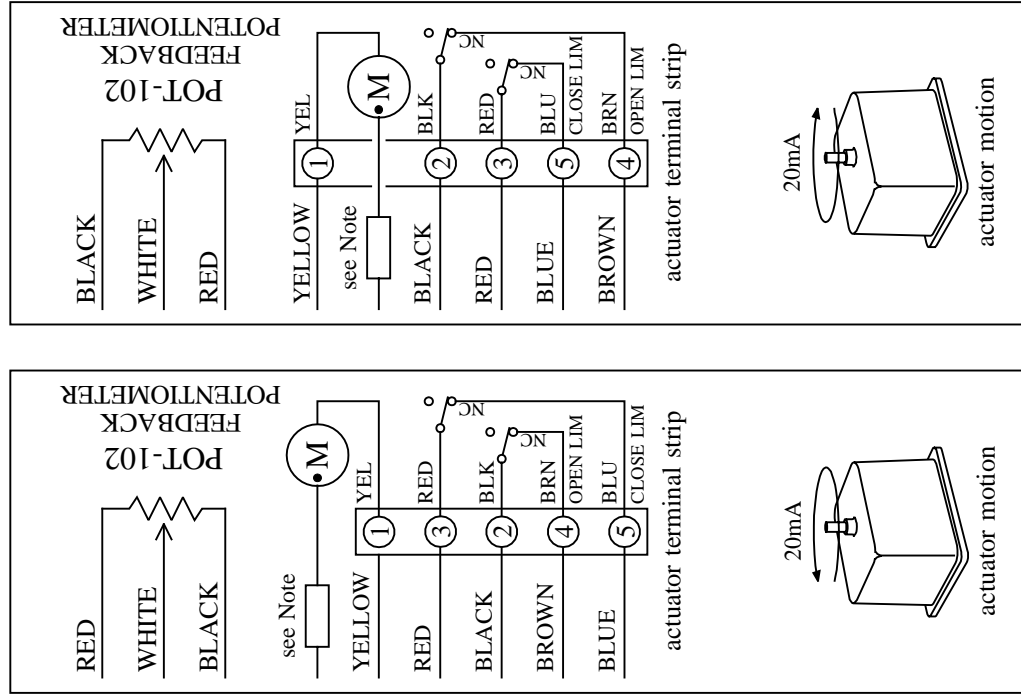
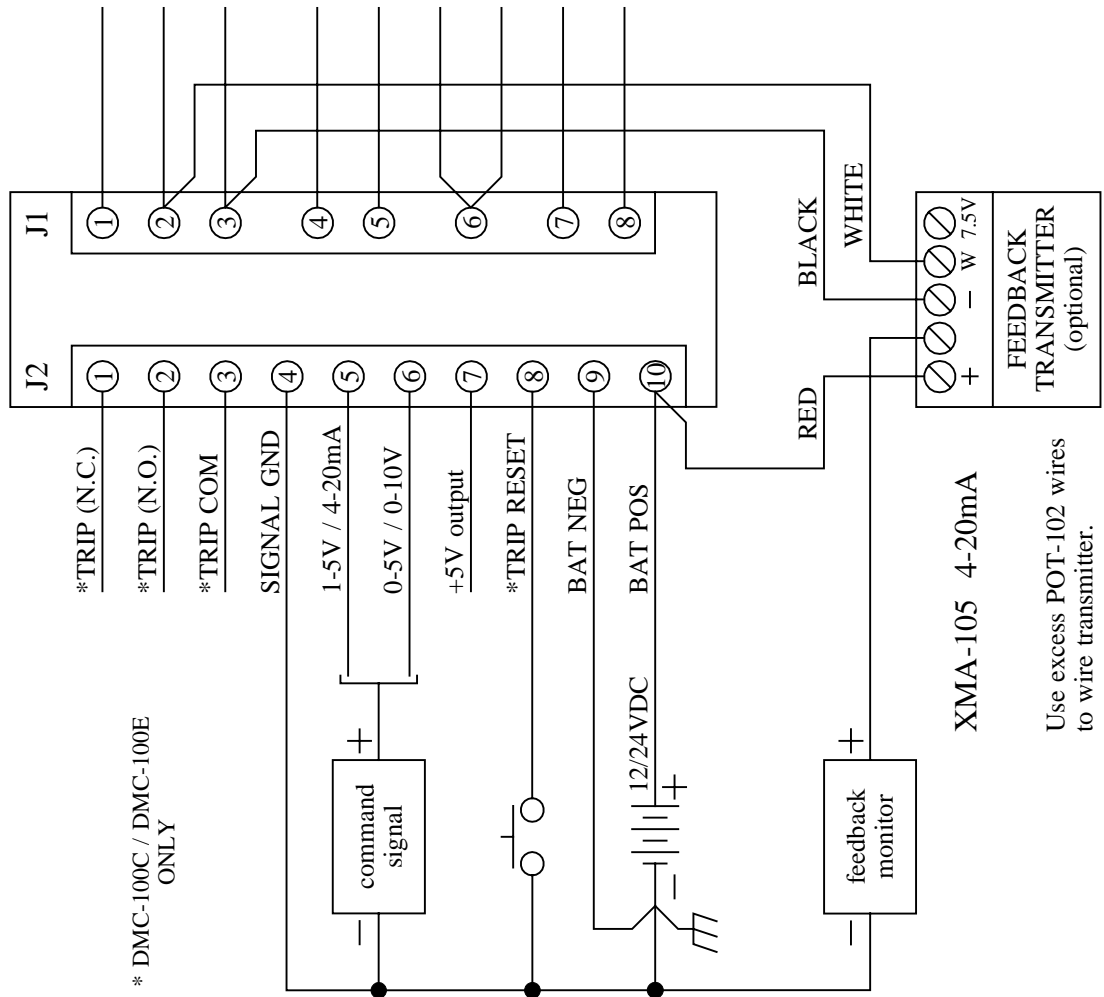
DC ANALOG POSITIONERS

WIRING DIAGRAM

RCS Group 9 Models DCR-10, -50, -90 Actuators

DMC-100A / DMC-100C / DMC-100E

NOTE: 12VDC DCR-50-2 requires an SLR-100 Surge Limiting Resistor.



DIRECT ACTING

REVERSE ACTING

DMC-100C / DMC-100E ONLY

*TRIP (N.C.)
*TRIP (N.O.)
*TRIP COM
SIGNAL GND
1-5V / 4-20mA
0-5V / 0-10V
+5V output
*TRIP RESET
BAT NEG
BAT POS

XMA-105 4-20mA

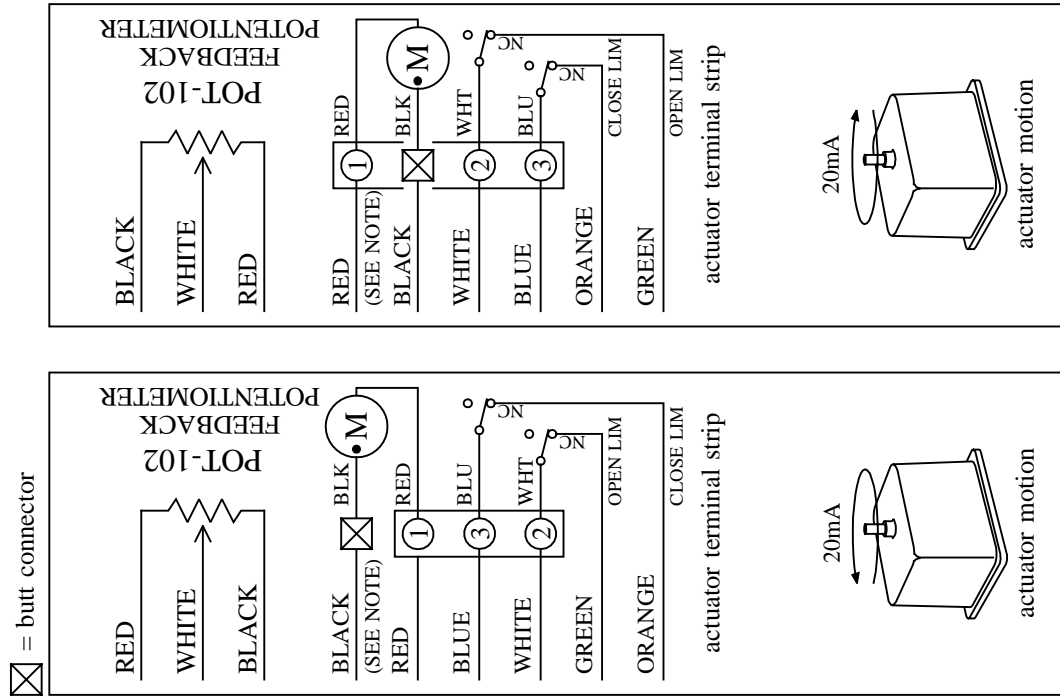
Use excess POT-102 wires to wire transmitter.

DC ANALOG POSITIONERS

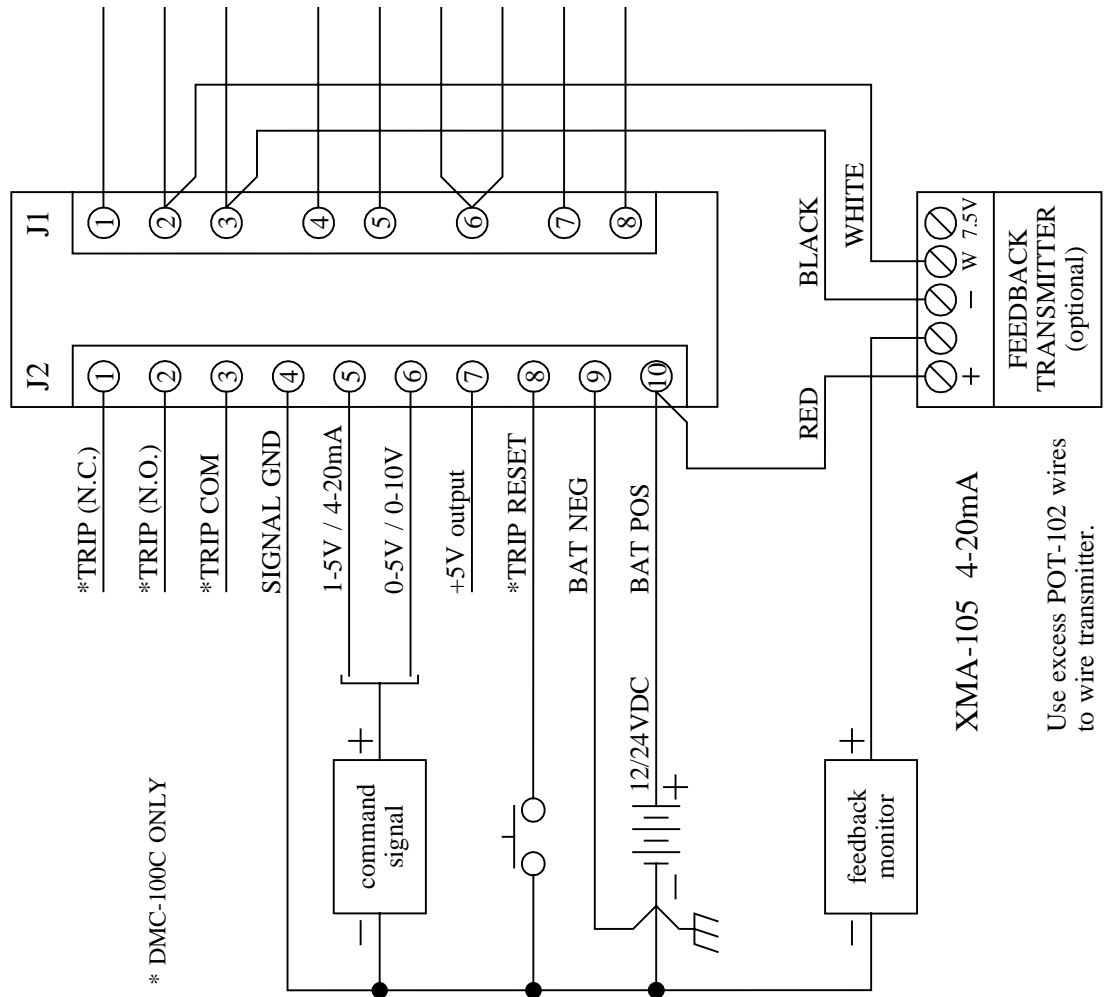
WIRING DIAGRAM

Asahi A92, B92, C92, S92 Actuators

DMC-100A / DMC-100C



NOTE: Reverse motor leads for B92 and C92 actuators.

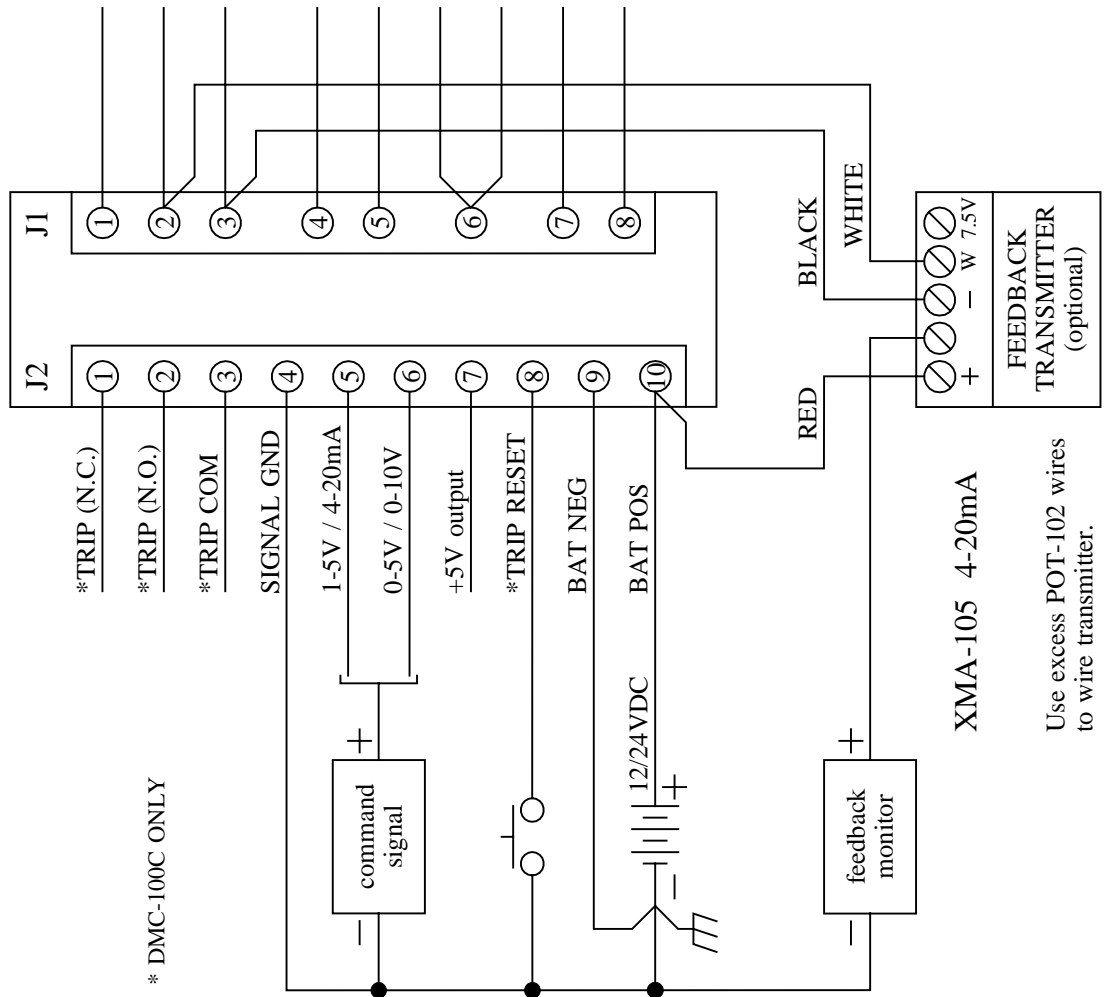


DC ANALOG POSITIONERS

WIRING DIAGRAM

Noah NA15, 19, 28 Actuators

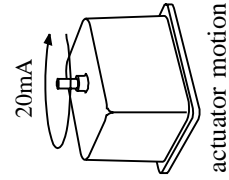
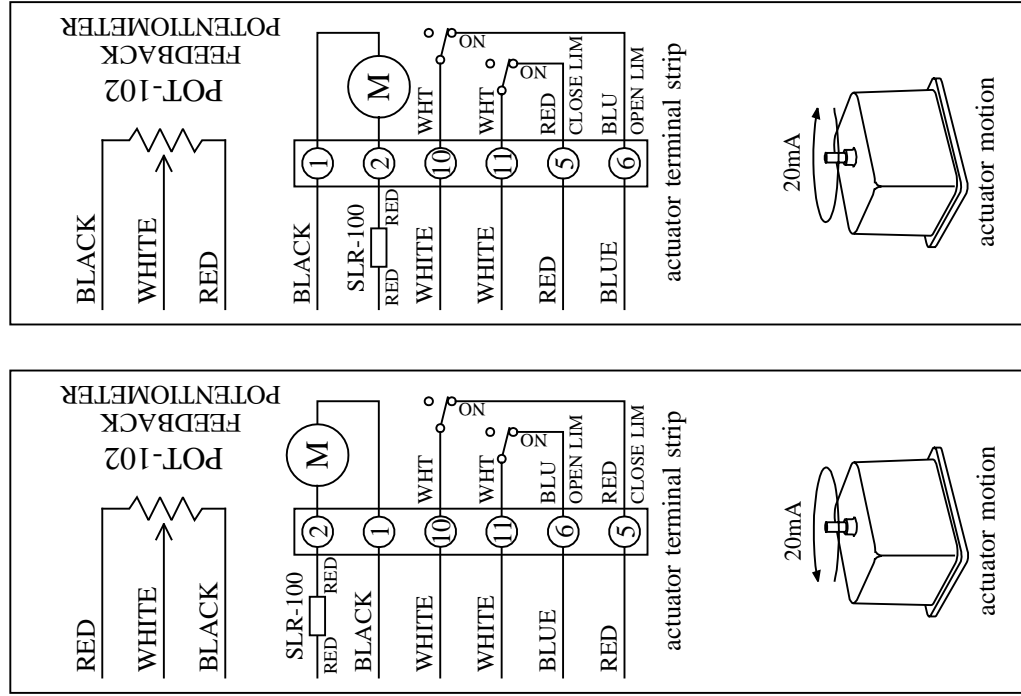
DMC-100A / DMC-100C



* DMC-100C ONLY

XMA-105 4-20mA

Use excess POT-102 wires to wire transmitter.



REVERSE ACTING

DIRECT ACTING

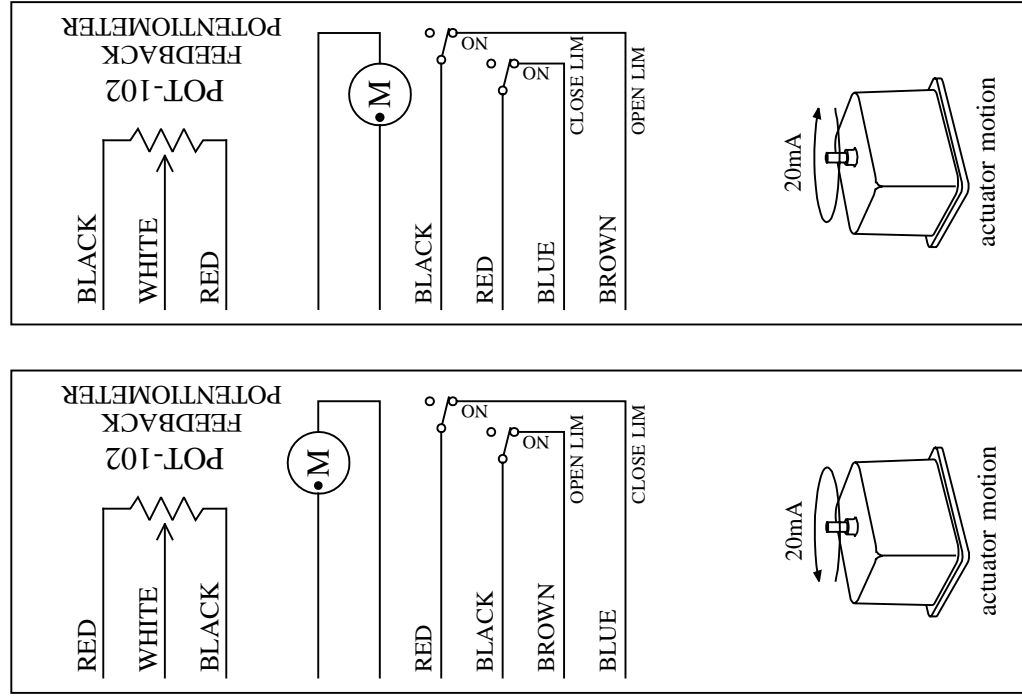
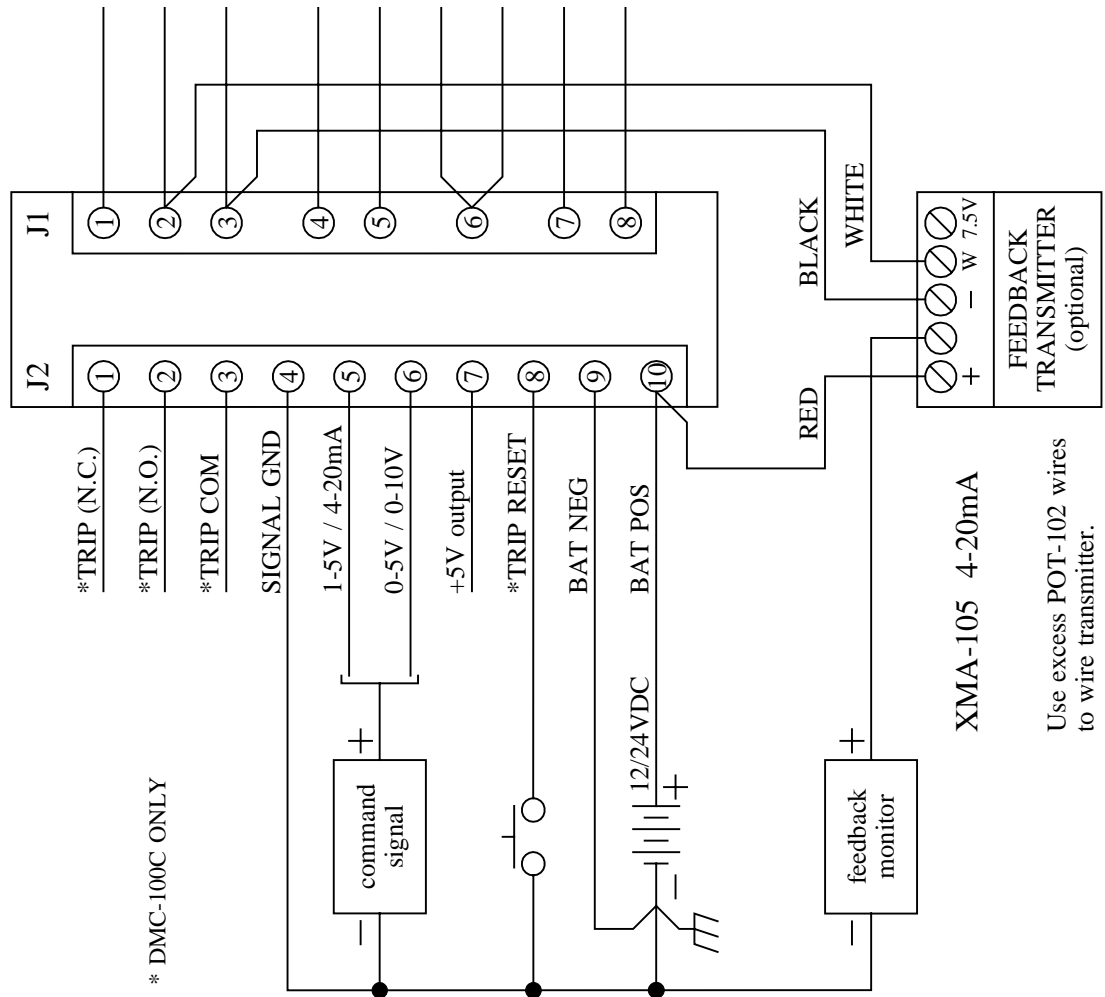
DC ANALOG POSITIONERS (standard)

WIRING DIAGRAM

Bettis EM-300 Actuators

DMC-100A / DMC-100C

Note, this application requires an EXE-100 external enclosure and (2) EEF-100 fittings.



* DMC-100C ONLY

XMA-105 4-20mA

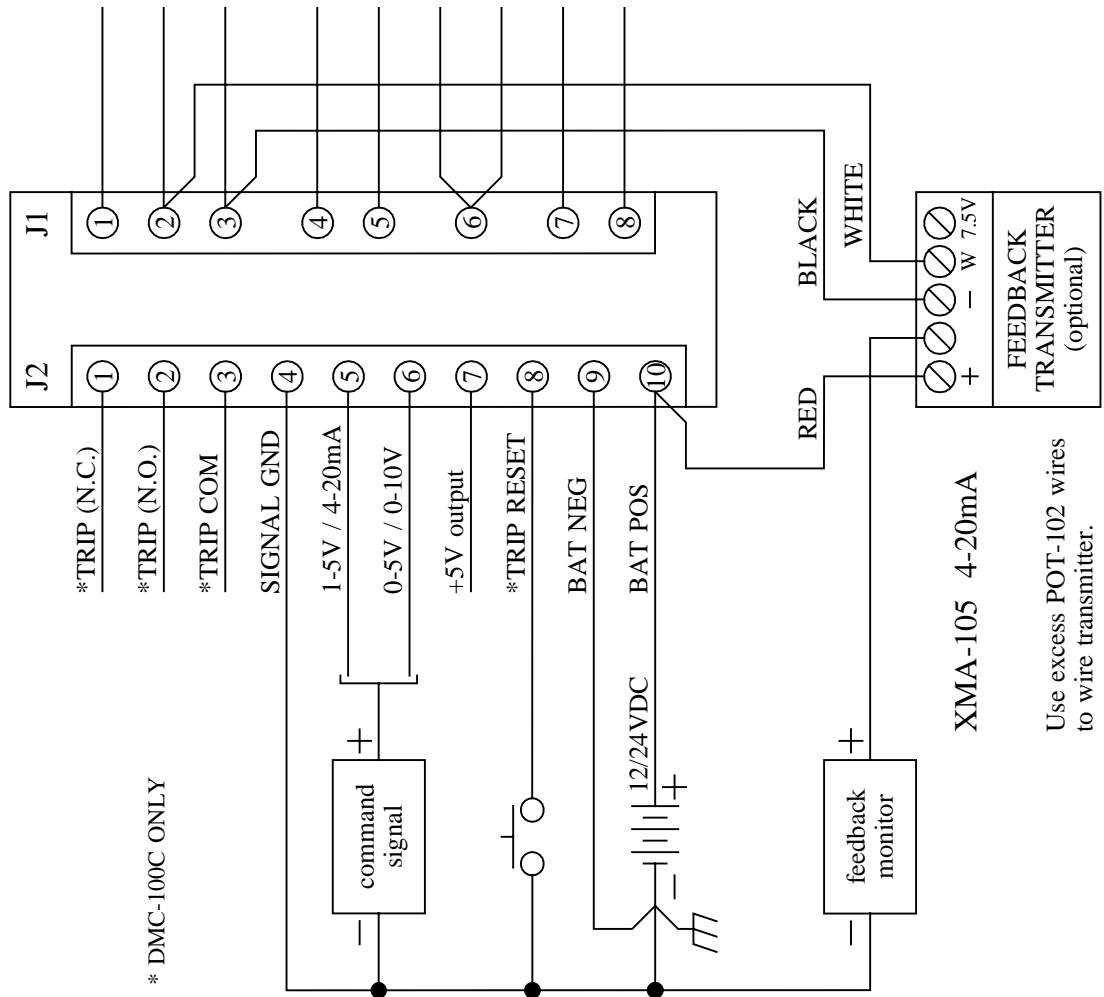
Use excess POT-102 wires to wire transmitter.

DC ANALOG POSITIONERS

WIRING DIAGRAM

HKC HQ-015, -020, -030 Actuators

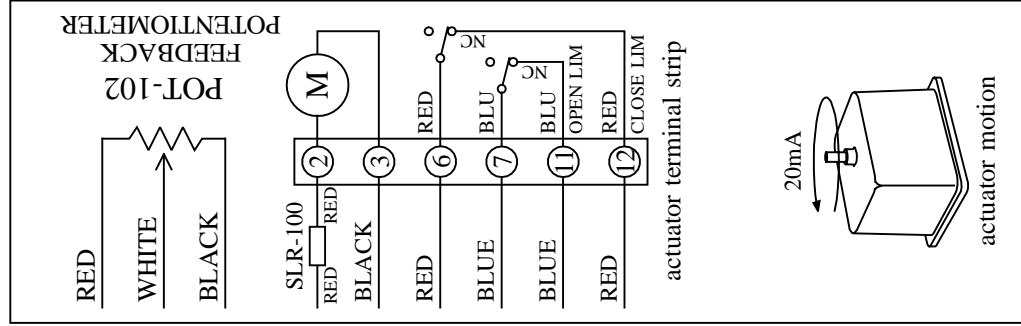
DMC-100A / DMC-100C



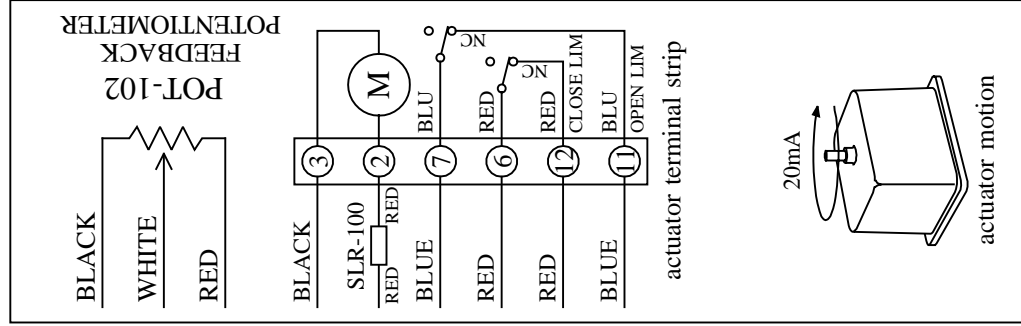
* DMC-100C ONLY

XMA-105 4-20mA

Use excess POT-102 wires to wire transmitter.



DIRECT ACTING



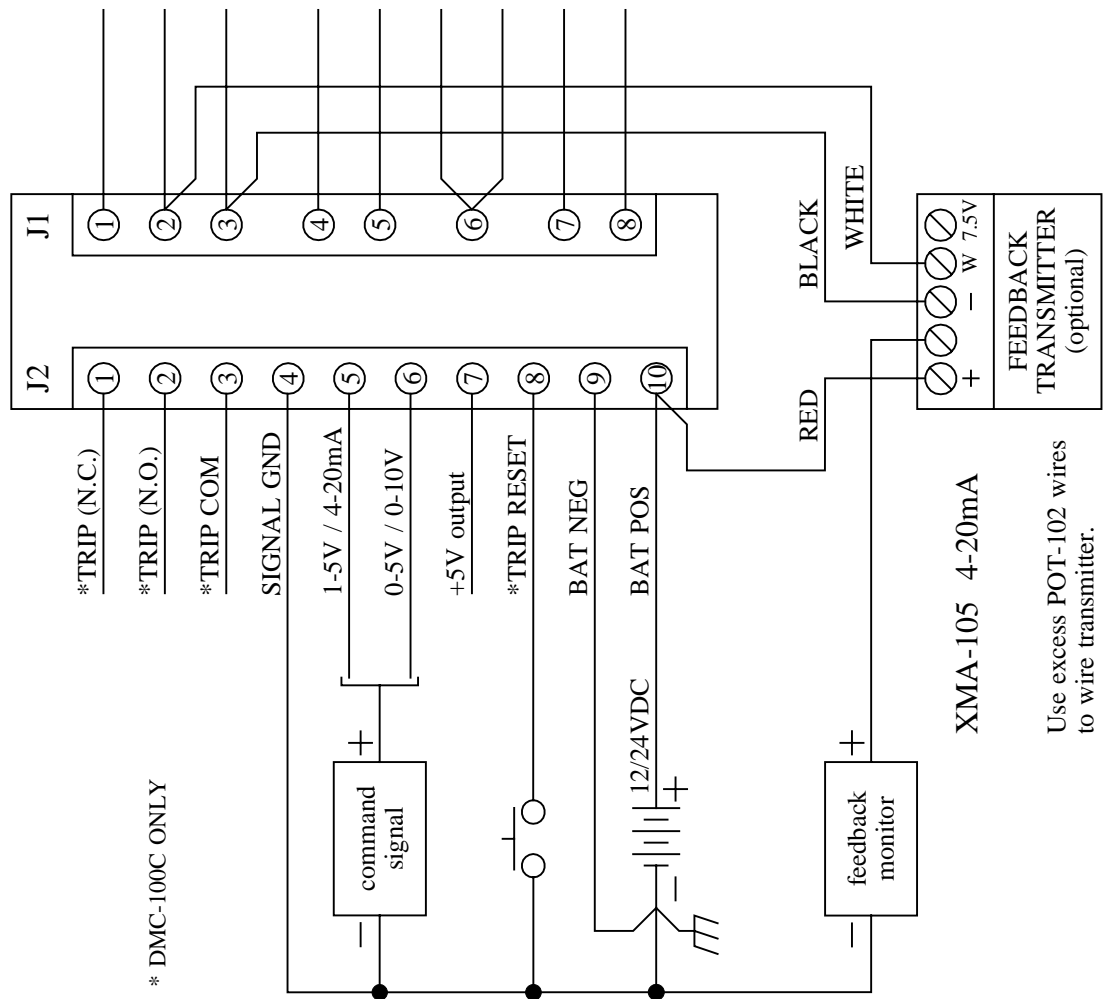
REVERSE ACTING

DC ANALOG POSITIONERS

WIRING DIAGRAM

Bettis EM-500, -510, -520 Actuators

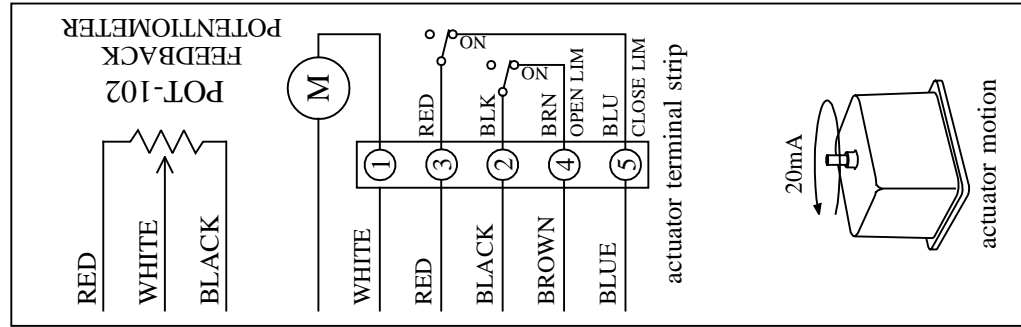
DMC-100A / DMC-100C



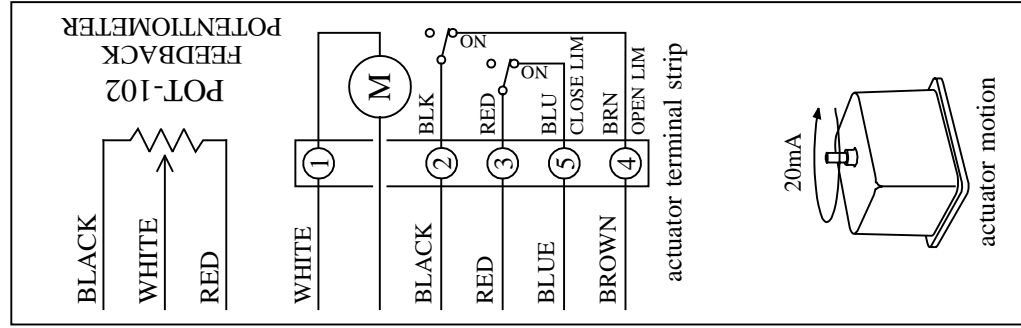
* DMC-100C ONLY

XMA-105 4-20mA

Use excess POT-102 wires to wire transmitter.



DIRECT ACTING



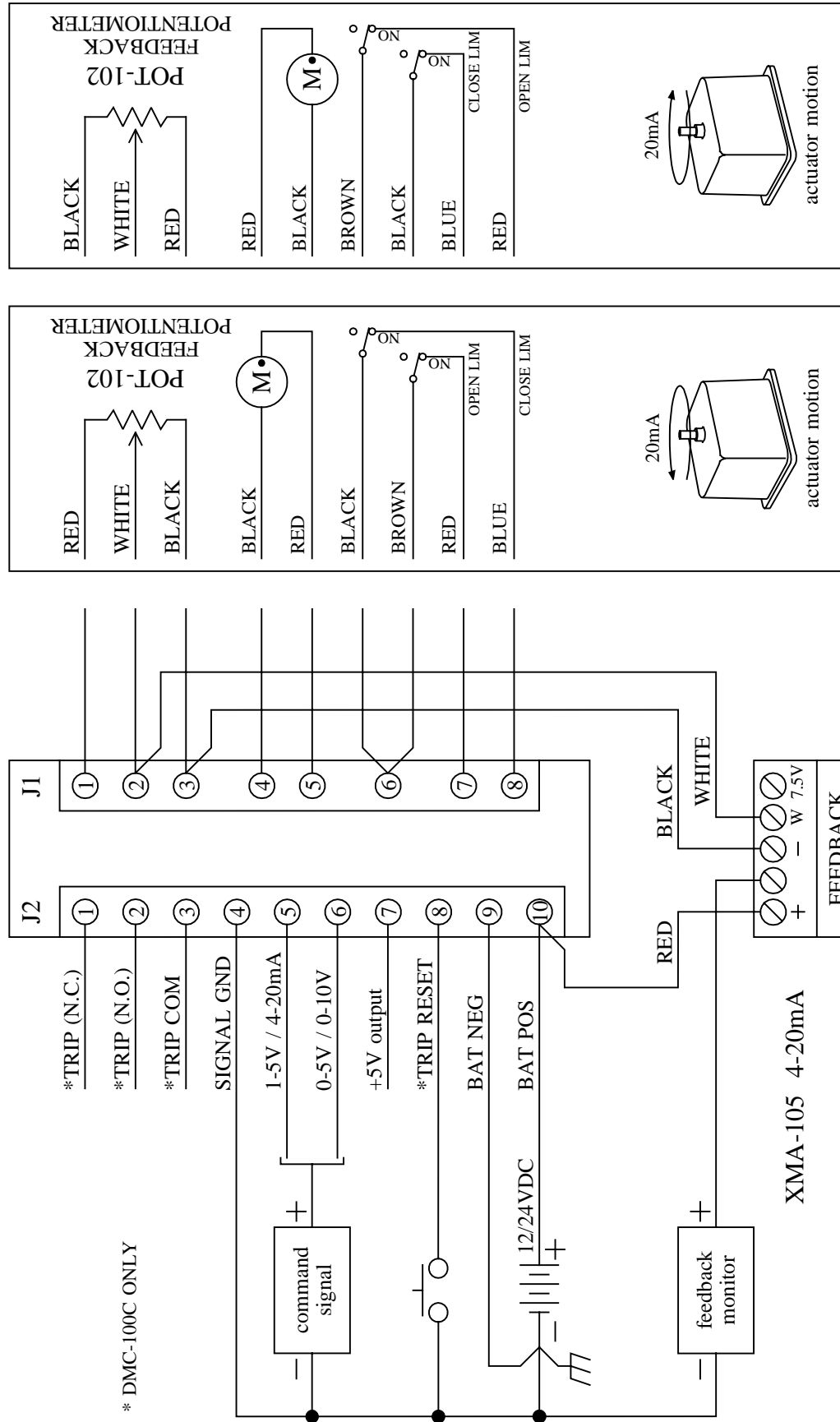
REVERSE ACTING

DC ANALOG POSITIONERS

Conbraco AE200, 400, 600, 800, 1000 Actuators

WIRING DIAGRAM

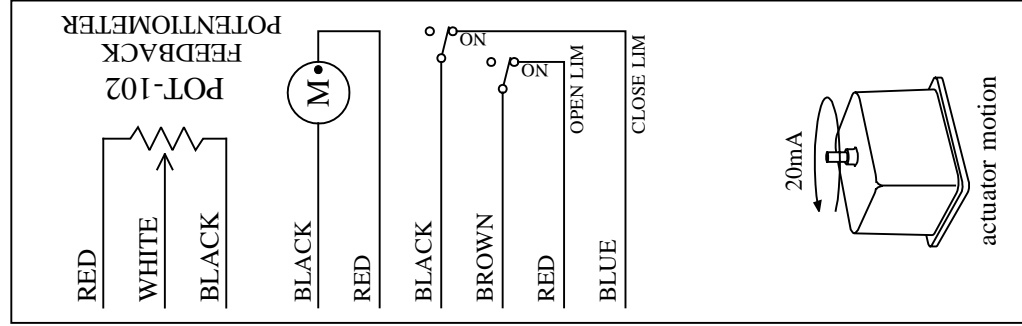
DMC-100A / DMC-100C



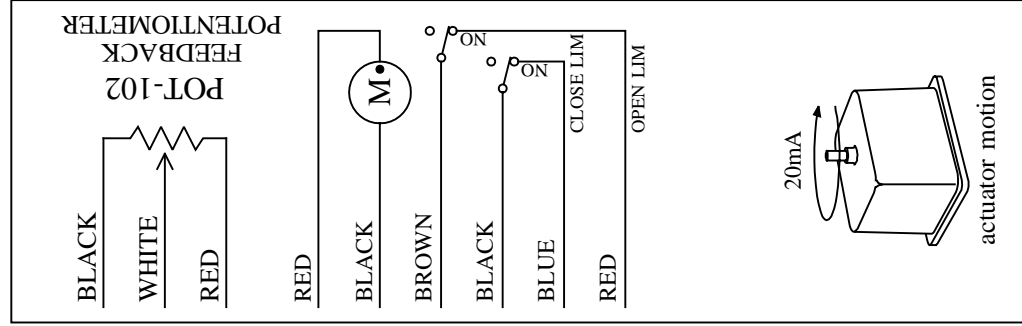
* DMC-100C ONLY

XMA-105 4-20mA

Use excess POT-102 wires to wire transmitter.



DIRECT ACTING



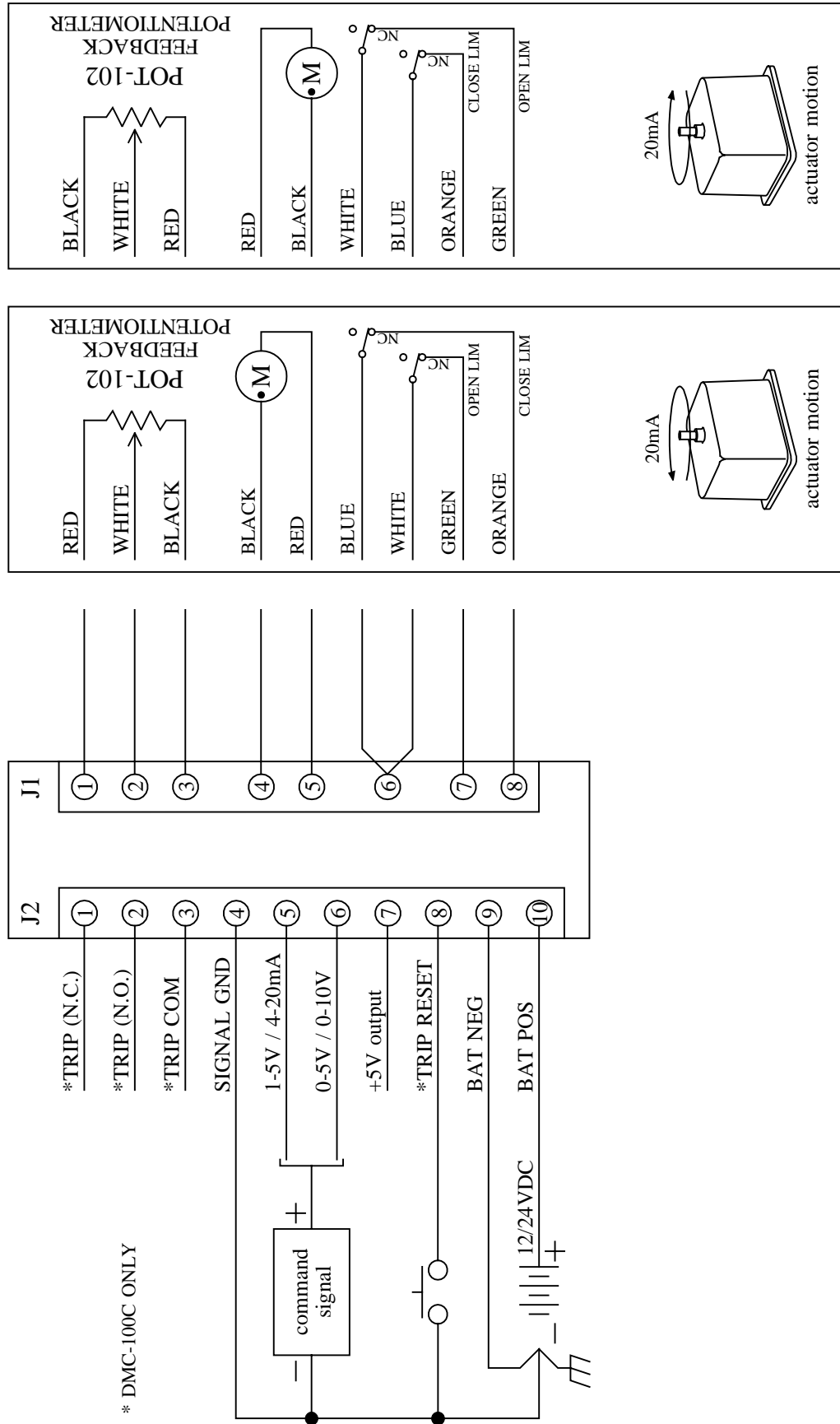
REVERSE ACTING

DC ANALOG POSITIONERS

WIRING DIAGRAM

Asahi A94, B94 Actuators

DMC-100A / DMC-100C



* DMC-100C ONLY

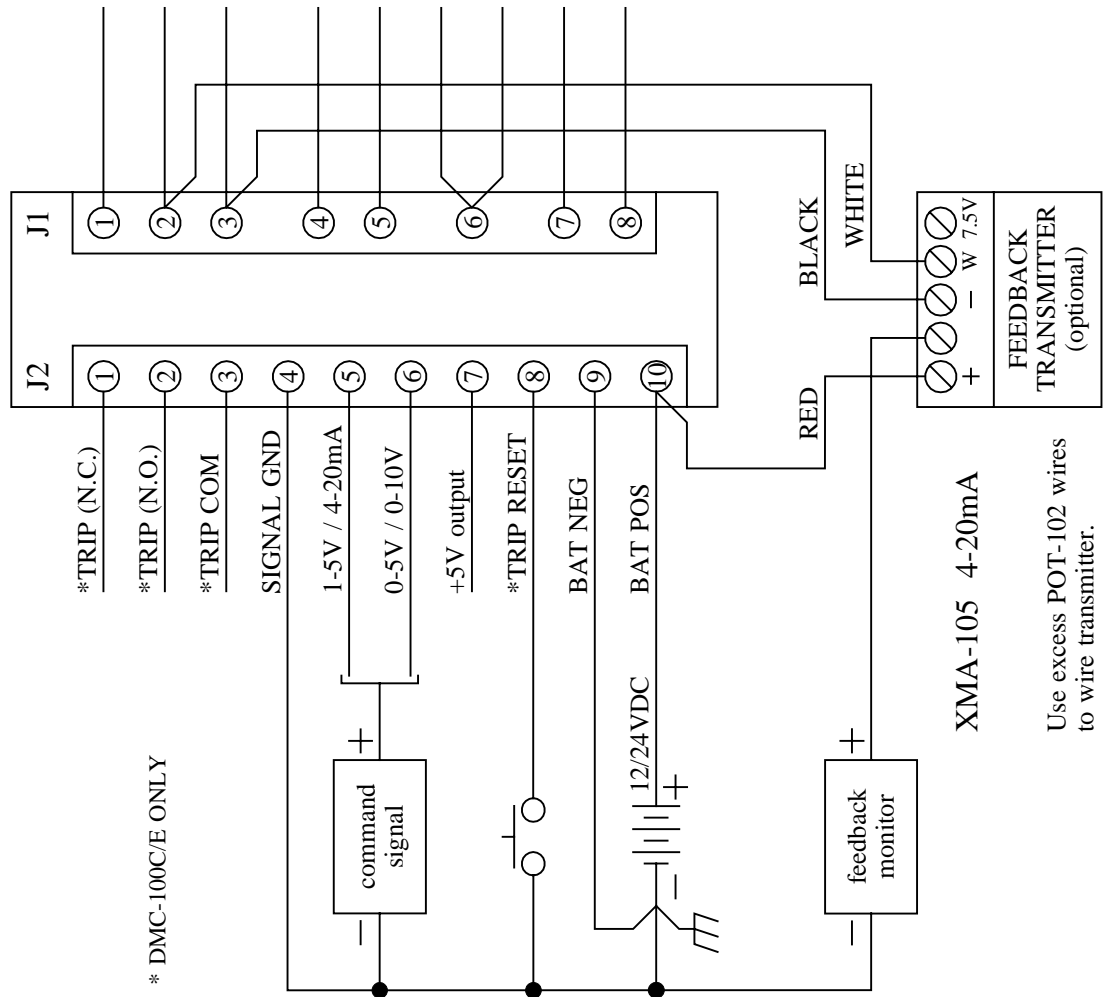
DC ANALOG POSITIONERS

WIRING DIAGRAM

I-Tork ITQ0160, 0240, 0350 Actuators

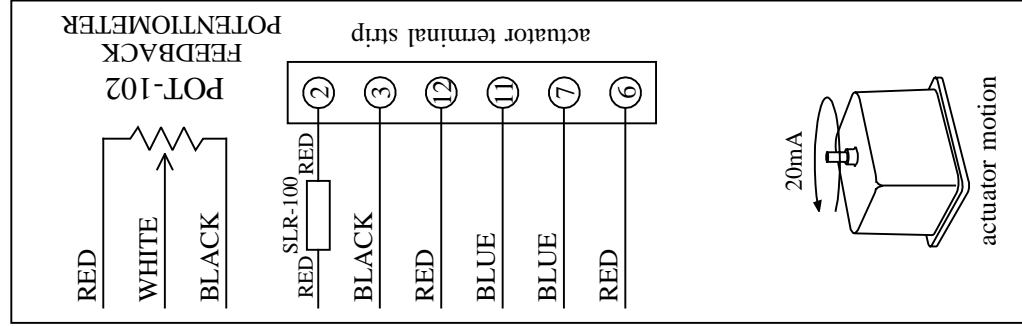
- DMC-100A
- DMC-100C (ITQ0160, 0240)
- DMC-100E (ITQ0350)

* DMC-100C/E ONLY

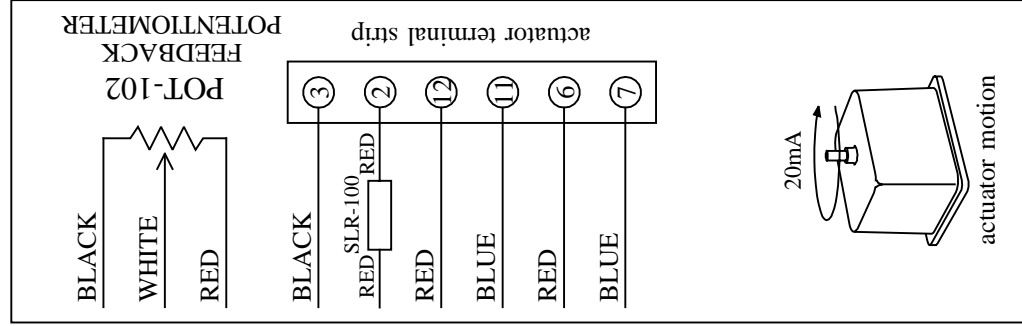


XMA-105 4-20mA

Use excess POT-102 wires to wire transmitter.



DIRECT ACTING



REVERSE ACTING