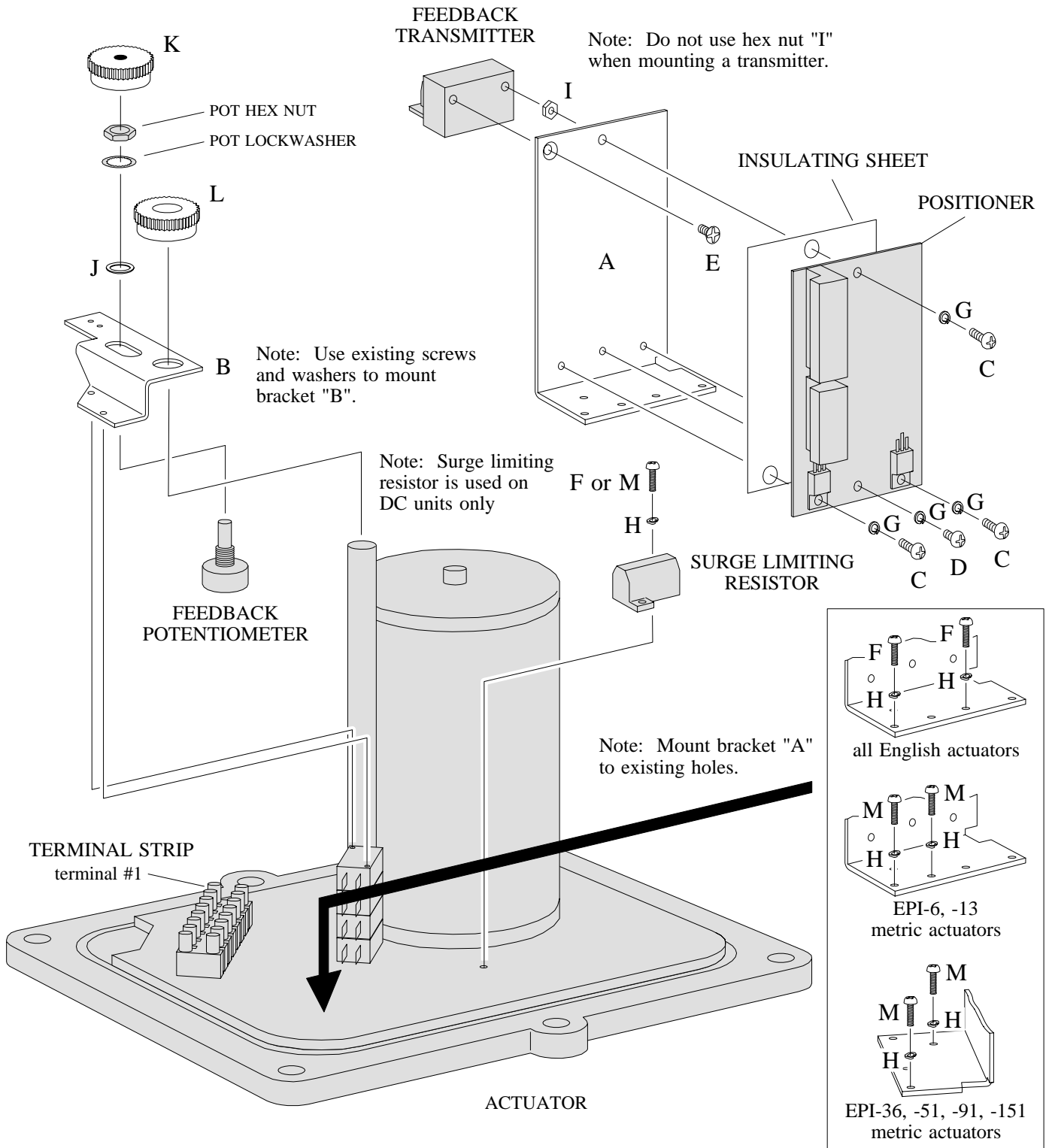


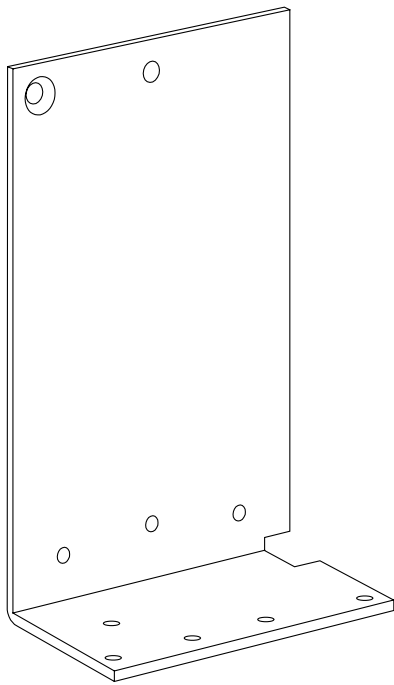
ASSEMBLY DIAGRAM

for

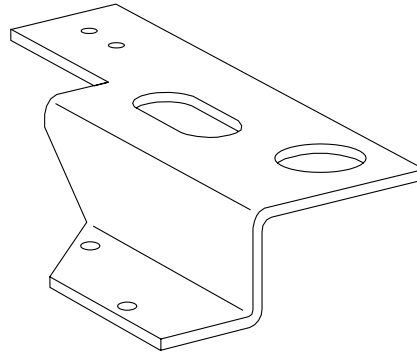
Tyco EPI-6, -13, -36, -51, -91, -151 Actuators



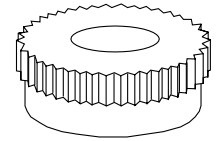
KIT CONTENTS



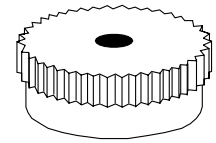
A



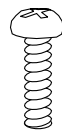
B



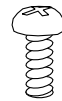
L



K



C



D



E



F



M



G



H



I



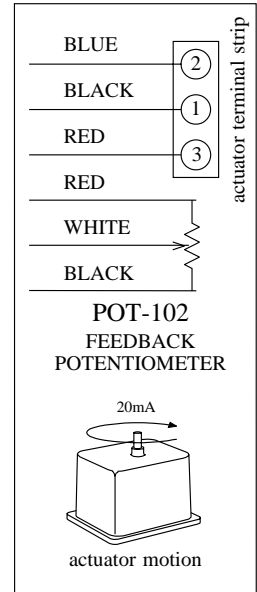
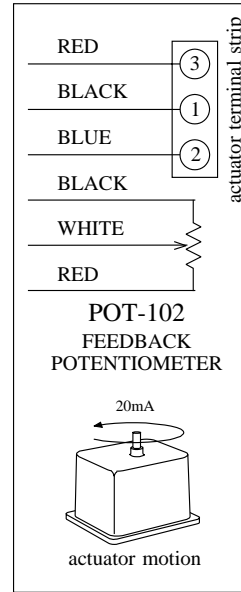
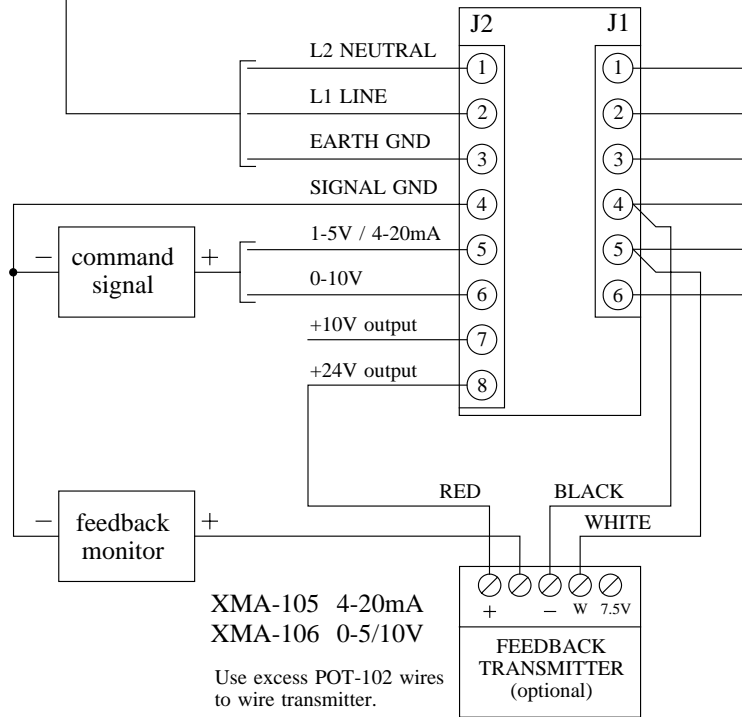
J

ITEM	QTY	DESCRIPTION
A	1	positioner bracket
B	1	feedback potentiometer bracket
C	3	#6-32 x 0.5" pan head screw
D	1	#6-32 x 0.375" pan head screw
E	1	#6-32 x 0.375" flat head screw
F	3	#4-40 x 0.375" pan head screw
G	4	#6 split ring lockwasher
H	3	#4 split ring lockwasher
I	1	#6-32 hex nut
J	1	potentiometer anti-slip washer
K	1	potentiometer gear
L	1	output shaft gear
M	3	3mm/0.5mm x 8mm pan head screw
not shown	1	9" black wire
not shown	1	9" red wire
not shown	1	9" blue wire
not shown	1	9" purple wire (used on DC units only)
not shown	1	9" orange wire (used on DC units only)
not shown	2	6.3" nylon tie wrap

AC POSITIONERS

117VAC AMC-101A / LRC-101A
 234VAC AMC-101C / LRC-101B

Wiring Diagram for Tyco continuous rated actuators
 EPI-6, -13, -36, -51, -91, -151



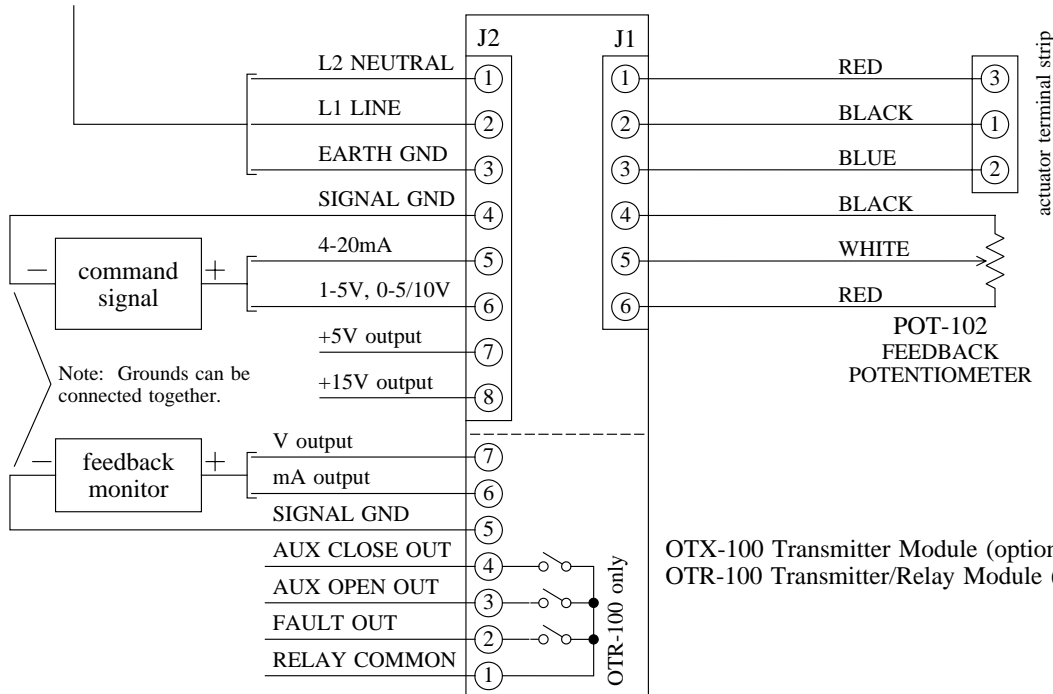
DIRECT ACTING

REVERSE ACTING

AC DIGITAL POSITIONERS

117VAC DHC-100
 234VAC DHC-100A

Wiring Diagram for Tyco continuous rated actuators
 EPI-6, -13, -36, -51, -91, -151

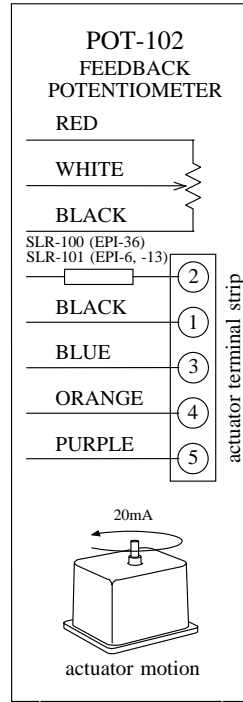
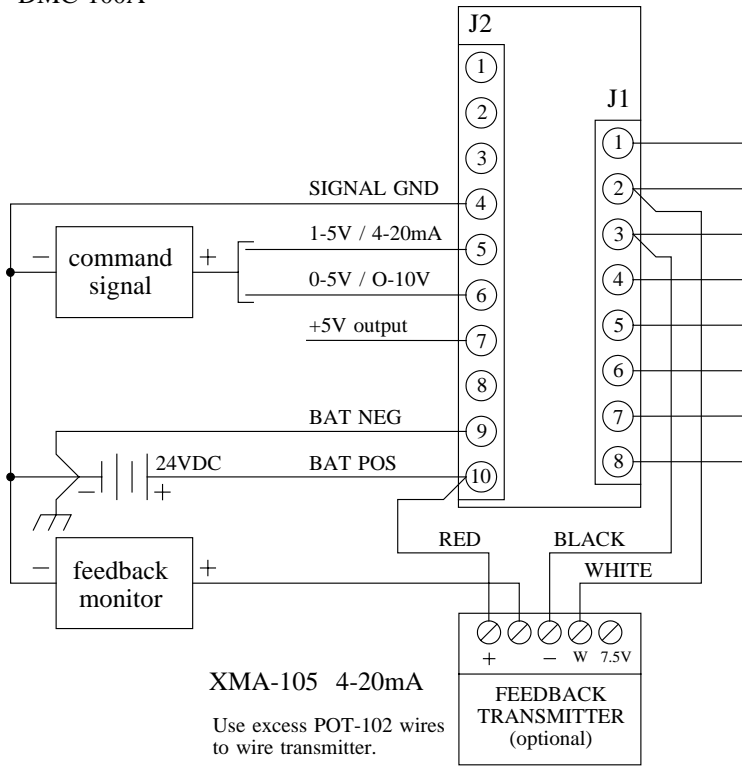


Direct acting or reverse acting is automatically set during calibration of close and open.

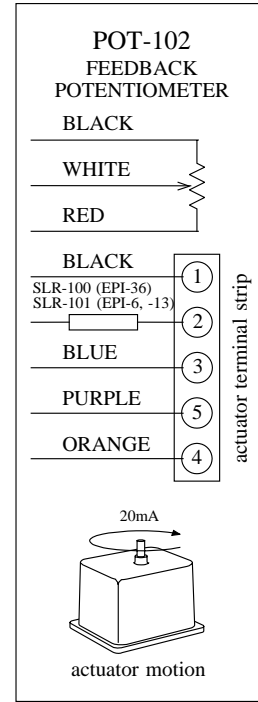
DC POSITIONERS

Wiring Diagram for Tyco 24VDC continuous rated actuators
EPI-6, -13, -36

DMC-100A



DIRECT ACTING

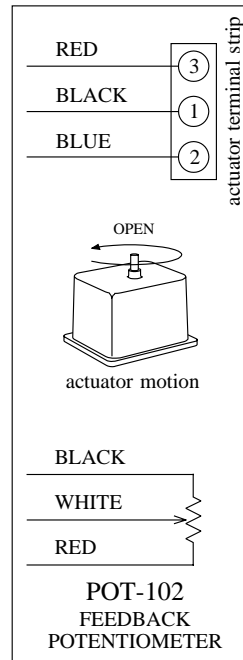
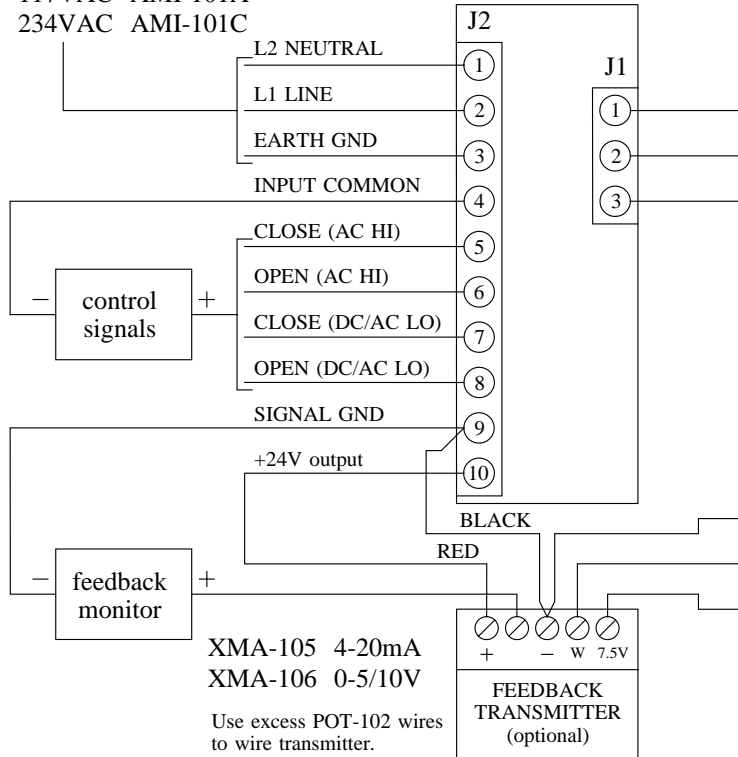


REVERSE ACTING

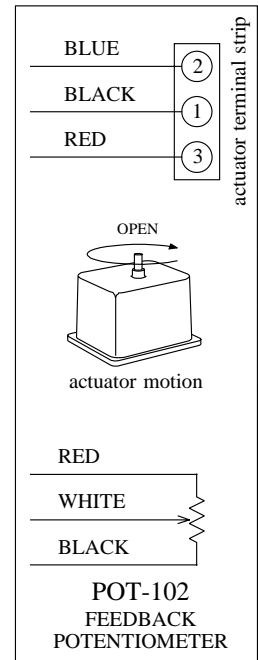
AC ON/OFF CONTROLLERS

Wiring Diagram for Tyco continuous rated actuators
EPI-6, -13, -36, -51, -91, -151

117VAC AMI-101A
234VAC AMI-101C



DIRECT ACTING



REVERSE ACTING