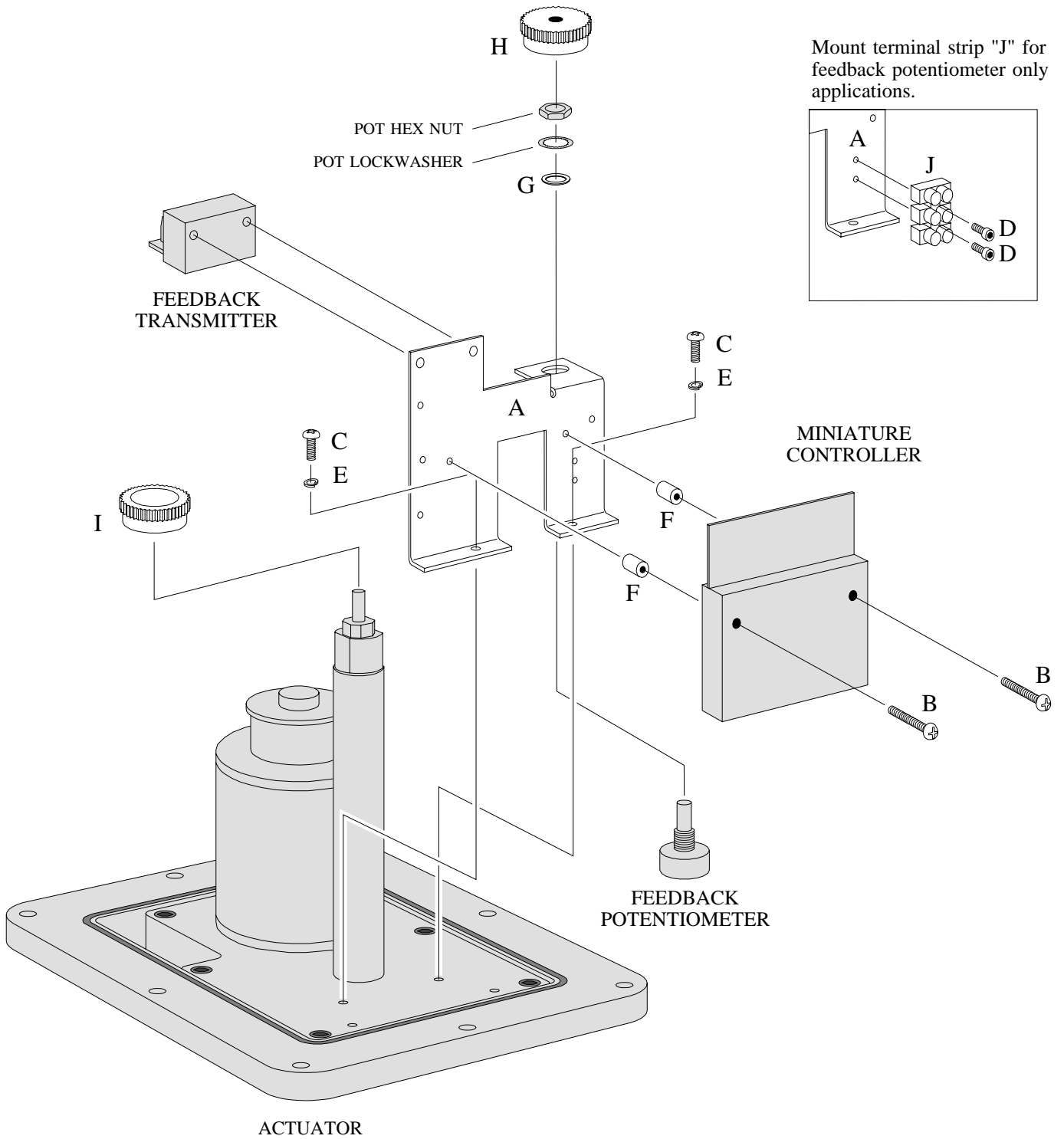
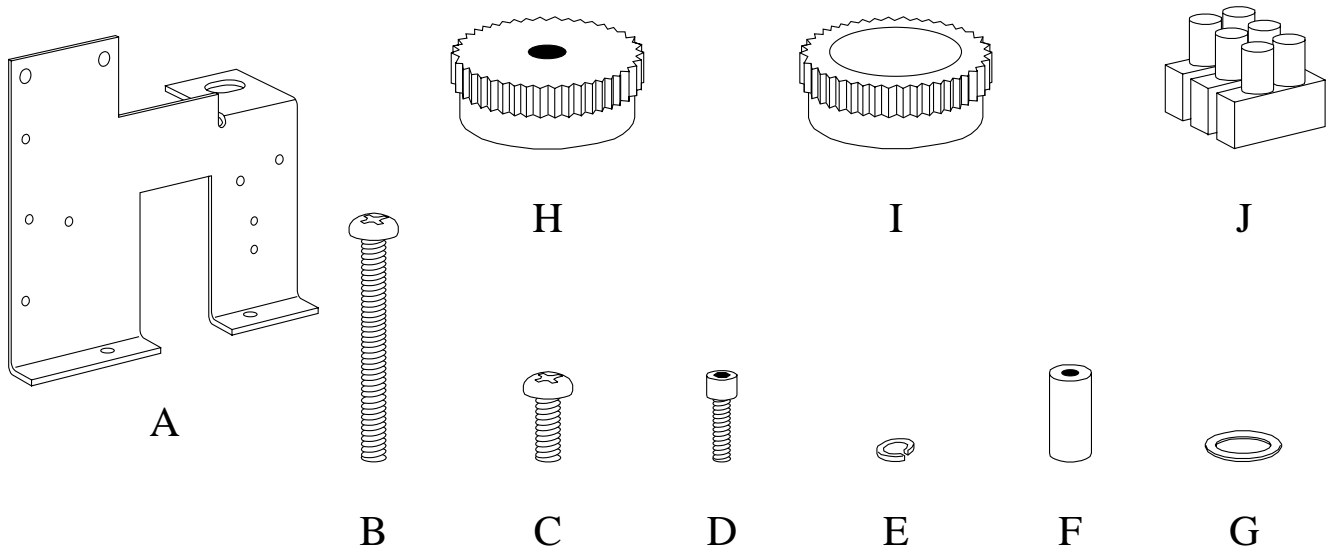


ASSEMBLY DIAGRAM

Bettis EM-500, -510, -520 Actuators



KIT CONTENTS



ITEM	QTY	DESCRIPTION
A	1	positioner bracket
B	2	#6-32 X 1.25" pan head screw
C	6	#6-32 X 0.375" pan head screw
D	2	#4-40 X 0.375" socket head cap screw
E	6	#6 split ring lockwasher
F	2	0.437" round spacer
G	1	potentiometer anti-slip washer
H	1	potentiometer gear
I	1	output shaft gear
J	1	3 pin Eurostrip screw terminal
not shown	1	10" white wire
not shown	1	10" black wire
not shown	1	10" red/white wire
not shown	1	10" black/white wire
not shown	1	10" blue/white wire
not shown	1	10" blue/yellow wire
not shown	1	10" white/red wire
not shown	1	10" white/black wire
not shown	1	10" black wire w/spade terminal
not shown	1	10" red wire w/spade terminal
not shown	3	6.3" nylon tie wrap