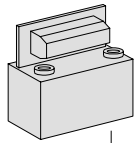


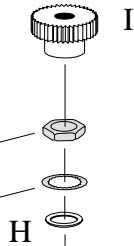
ASSEMBLY DIAGRAM

Bettis EM-300 Actuators

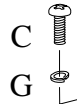
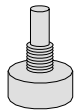
FEEDBACK TRANSMITTER



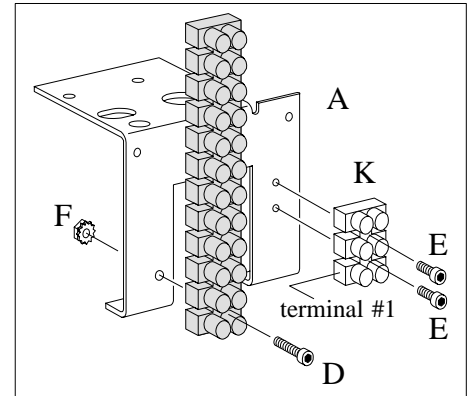
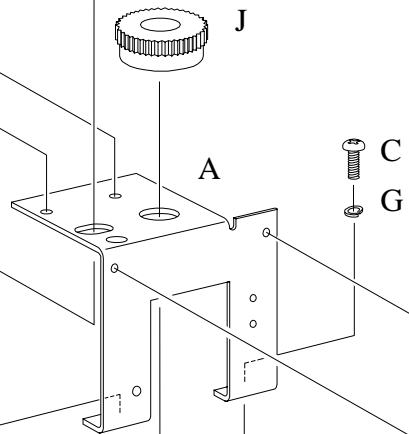
POT HEX NUT
POT LOCKWASHER



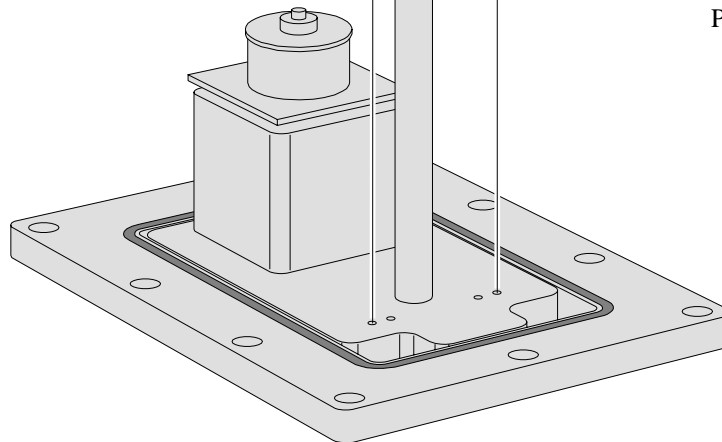
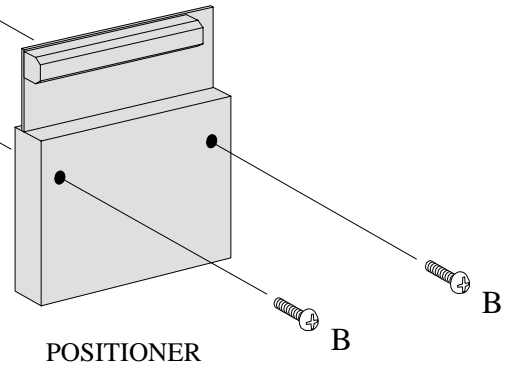
FEEDBACK POTENTIOMETER



Note: Remove actuator terminal strip to mount bracket "A", and make all connections to positioner.

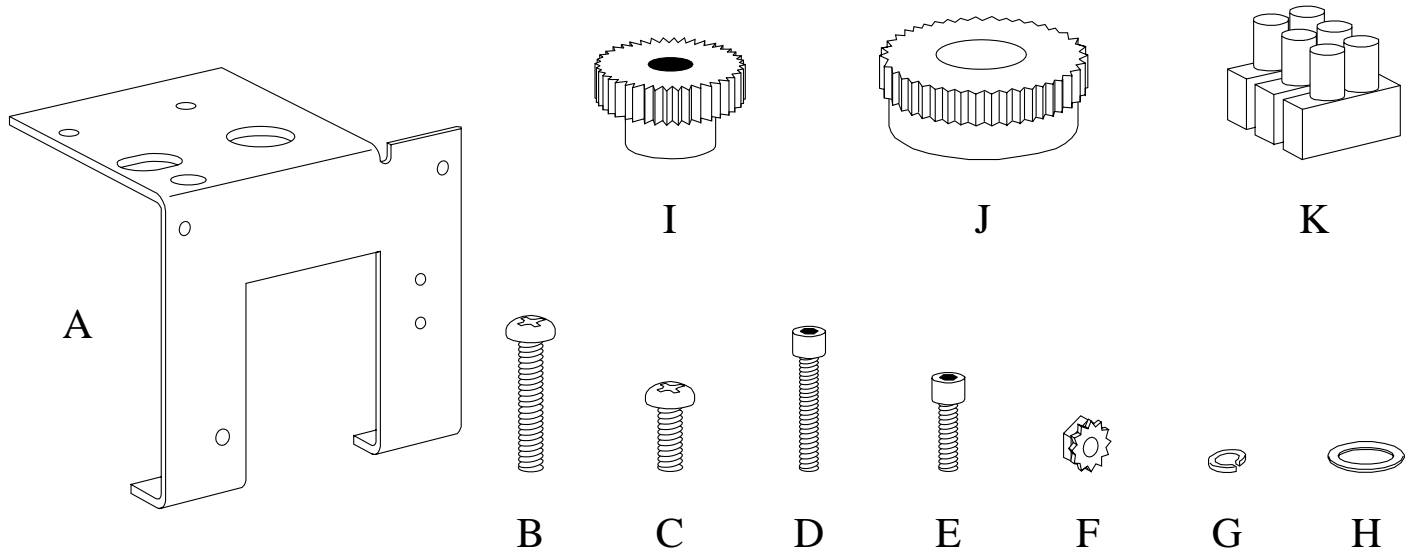


For feedback only applications, remount actuator terminal strip to bracket "A". Mount terminal strip "K" when only using a feedback potentiometer.



ACTUATOR

KIT CONTENTS



ITEM	QTY	DESCRIPTION
A	1	positioner bracket
B	2	#6-32 X 0.75" pan head screw
C	2	#6-32 X 0.375" pan head screw
D	1	#4-40 X 0.625" socket head cap screw
E	2	#4-40 X 0.375" socket head cap screw
F	1	4-40 keps hex nut
G	2	#6 split ring lockwasher
H	1	potentiometer anti-slip washer
I	1	potentiometer gear
J	1	output shaft gear
K	1	3 pin Eurostrip screw terminal
not shown	5	6.3" nylon tie wrap

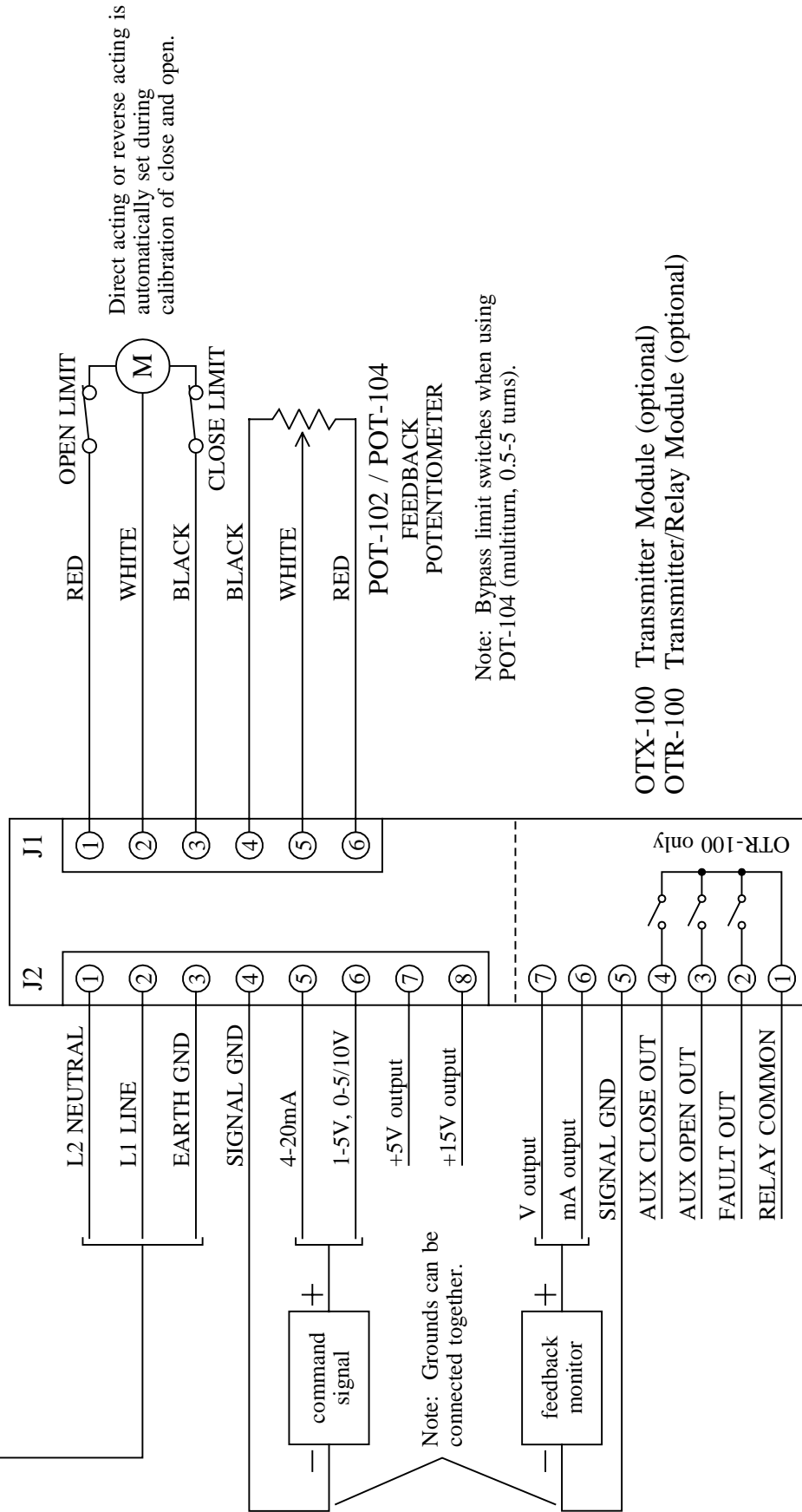
AC DIGITAL POSITIONERS

WIRING DIAGRAM

Bettis EM-300 Actuators

117VAC DHC-100
234VAC DHC-100A

Note, this application requires an EXE-100 external enclosure and (2) EEF-100 fittings.



Direct acting or reverse acting is automatically set during calibration of close and open.

Note: Bypass limit switches when using POT-104 (multiturn, 0.5-5 turns).

OTX-100 Transmitter Module (optional)
OTR-100 Transmitter/Relay Module (optional)

DC DIGITAL POSITIONER

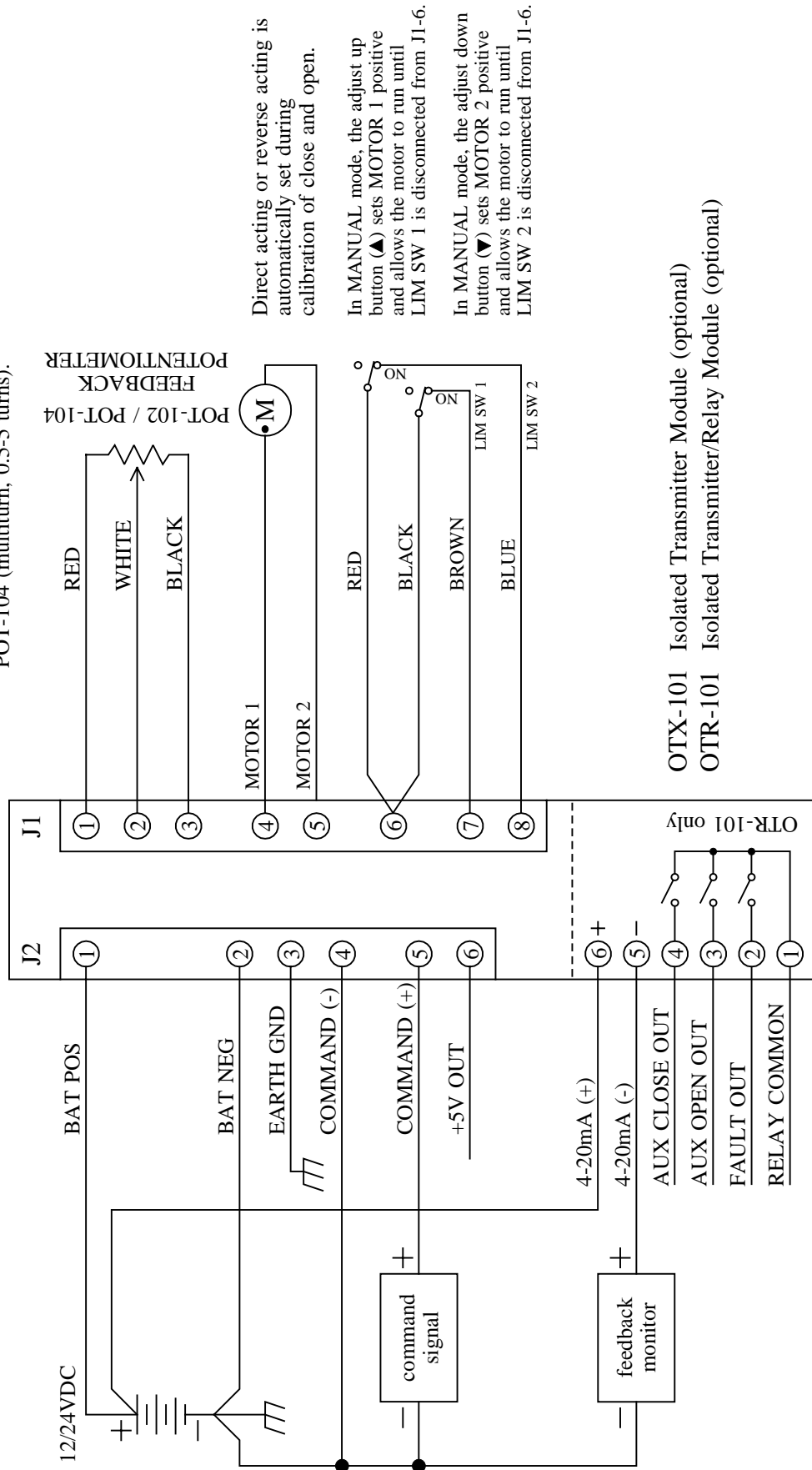
WIRING DIAGRAM

Bettis EM-300 Actuators

DHC-400

Note, this application requires an EXE-100 external enclosure and (2) EEF-100 fittings.

Note: Bypass limit switches when using POT-104 (multiturn, 0.5-5 turns).



Direct acting or reverse acting is automatically set during calibration of close and open.

In MANUAL mode, the adjust up button (▲) sets MOTOR 1 positive and allows the motor to run until LIM SW 1 is disconnected from J1-6.

In MANUAL mode, the adjust down button (▼) sets MOTOR 2 positive and allows the motor to run until LIM SW 2 is disconnected from J1-6.

OTX-101 Isolated Transmitter Module (optional)

OTR-101 Isolated Transmitter/Relay Module (optional)

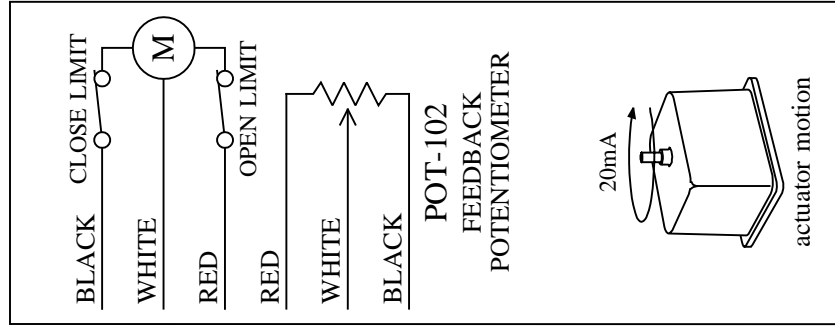
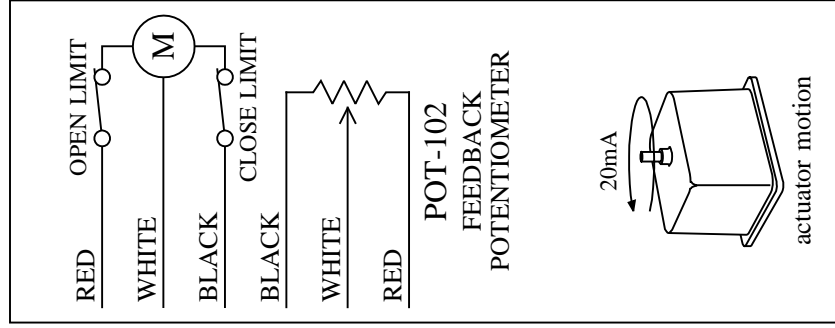
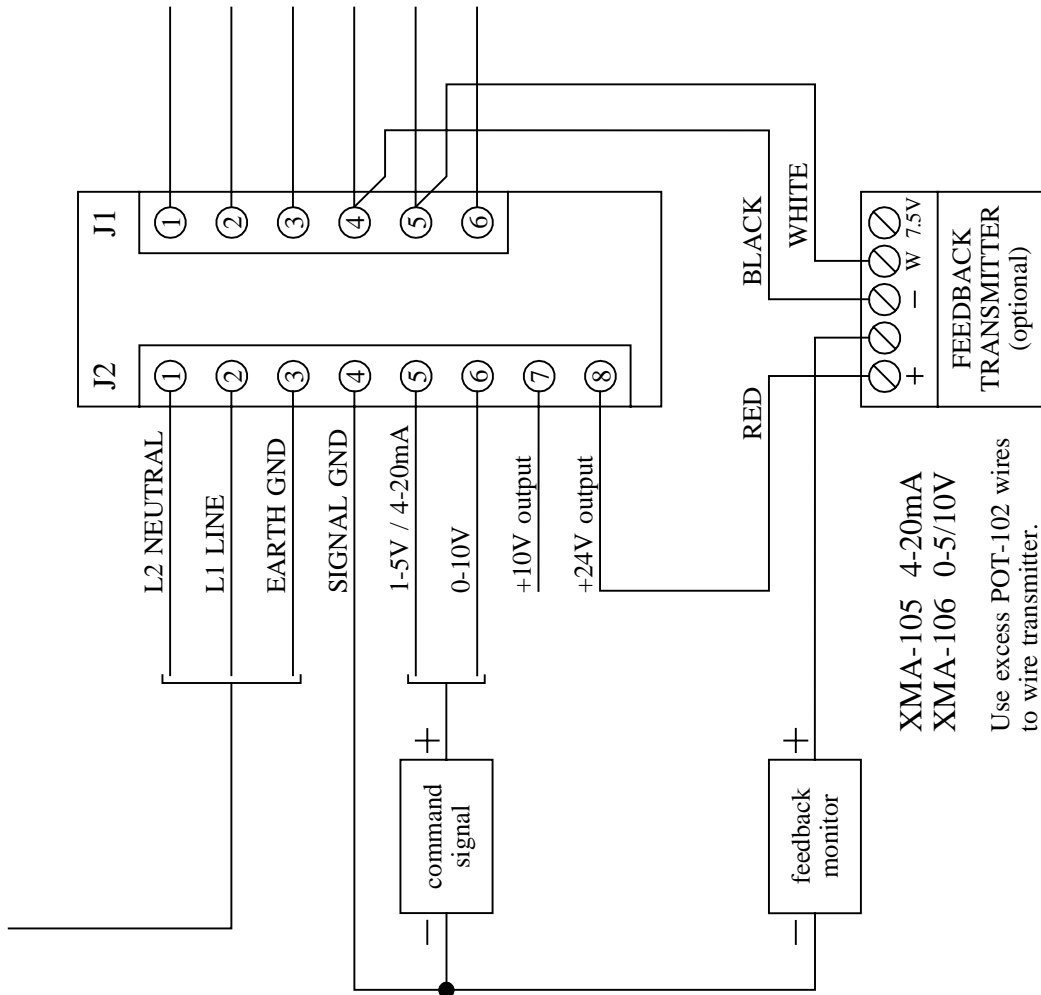
AC ANALOG / LOG RATE POSITIONERS (standard)

WIRING DIAGRAM

Bettis EM-300 Actuators

117VAC AMC-100A / LRC-101A / LRC-101G
 234VAC AMC-100C / LRC-101B / LRC-101H

Note, this application requires an EXE-100 external enclosure and (2) EEF-100 fittings.



XMA-105 4-20mA
 XMA-106 0-5/10V

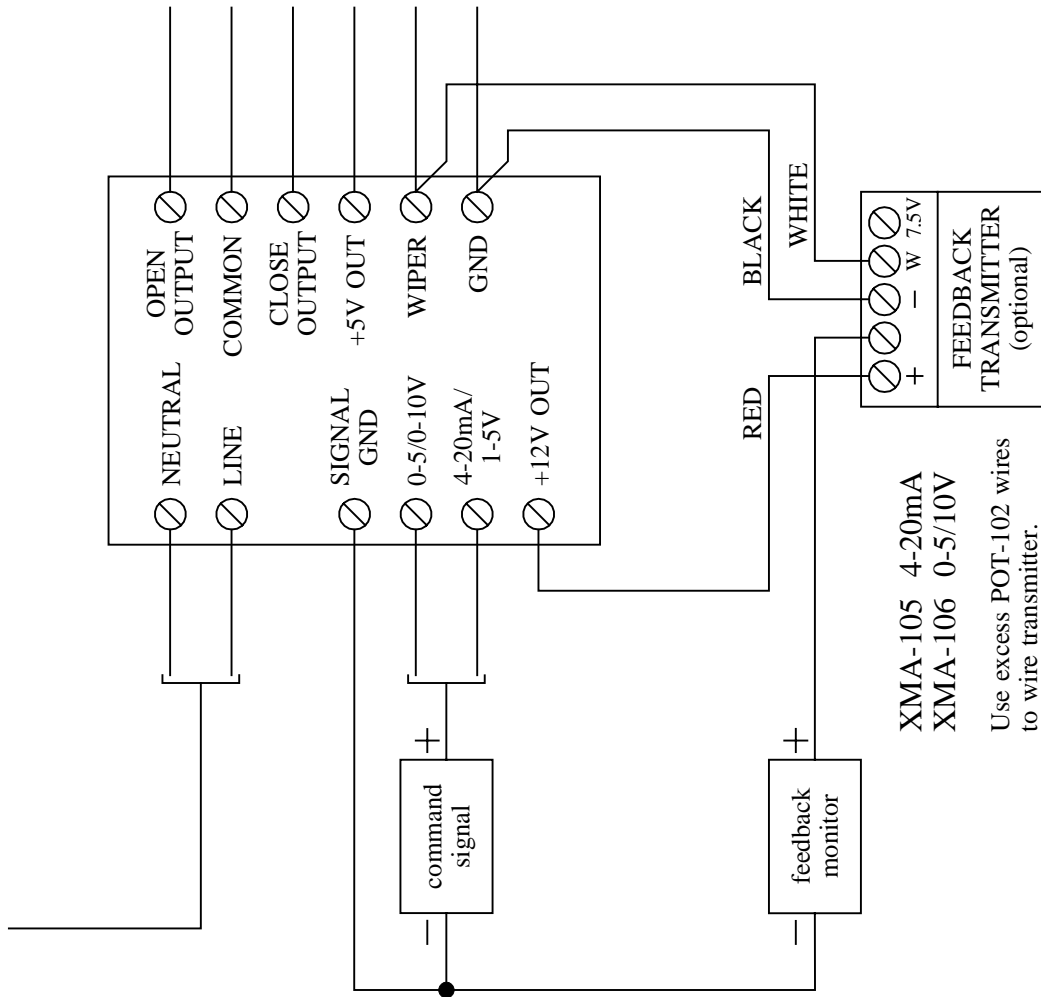
Use excess POT-102 wires to wire transmitter.

AC ANALOG POSITIONERS (miniature)

WIRING DIAGRAM

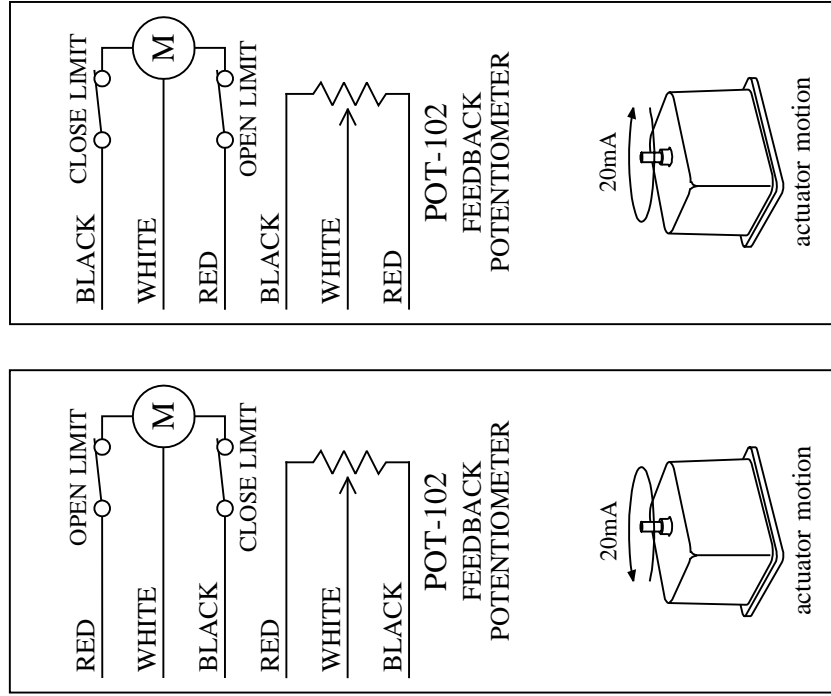
Bettis EM-300 Actuators

117VAC AMC-103
234VAC AMC-103A



XMA-105 4-20mA
XMA-106 0-5/10V

Use excess POT-102 wires to wire transmitter.



REVERSE ACTING

DIRECT ACTING

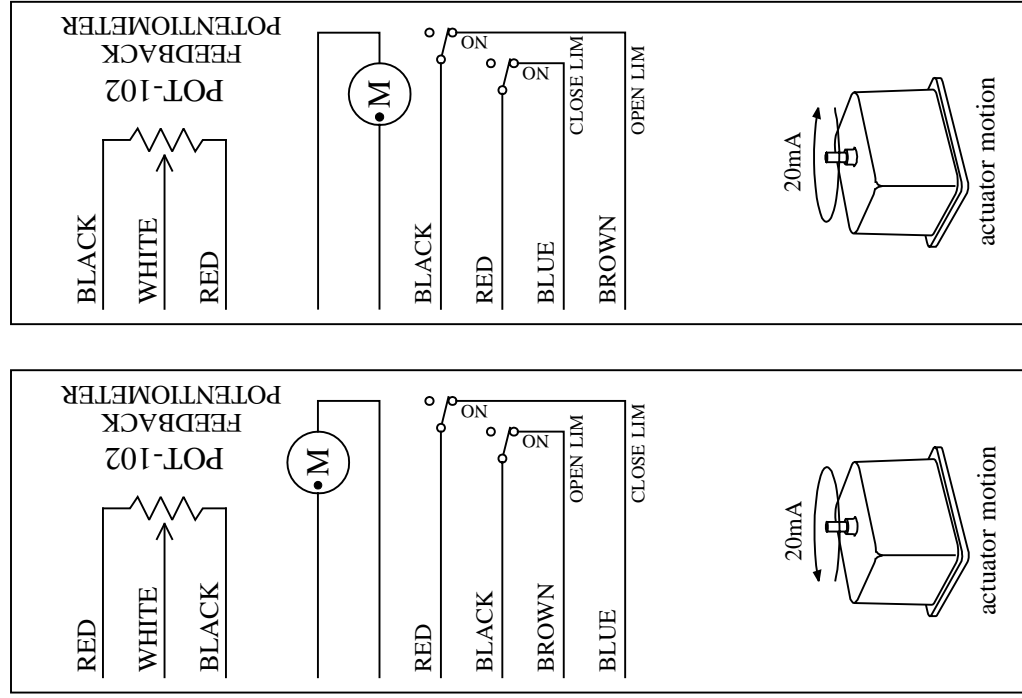
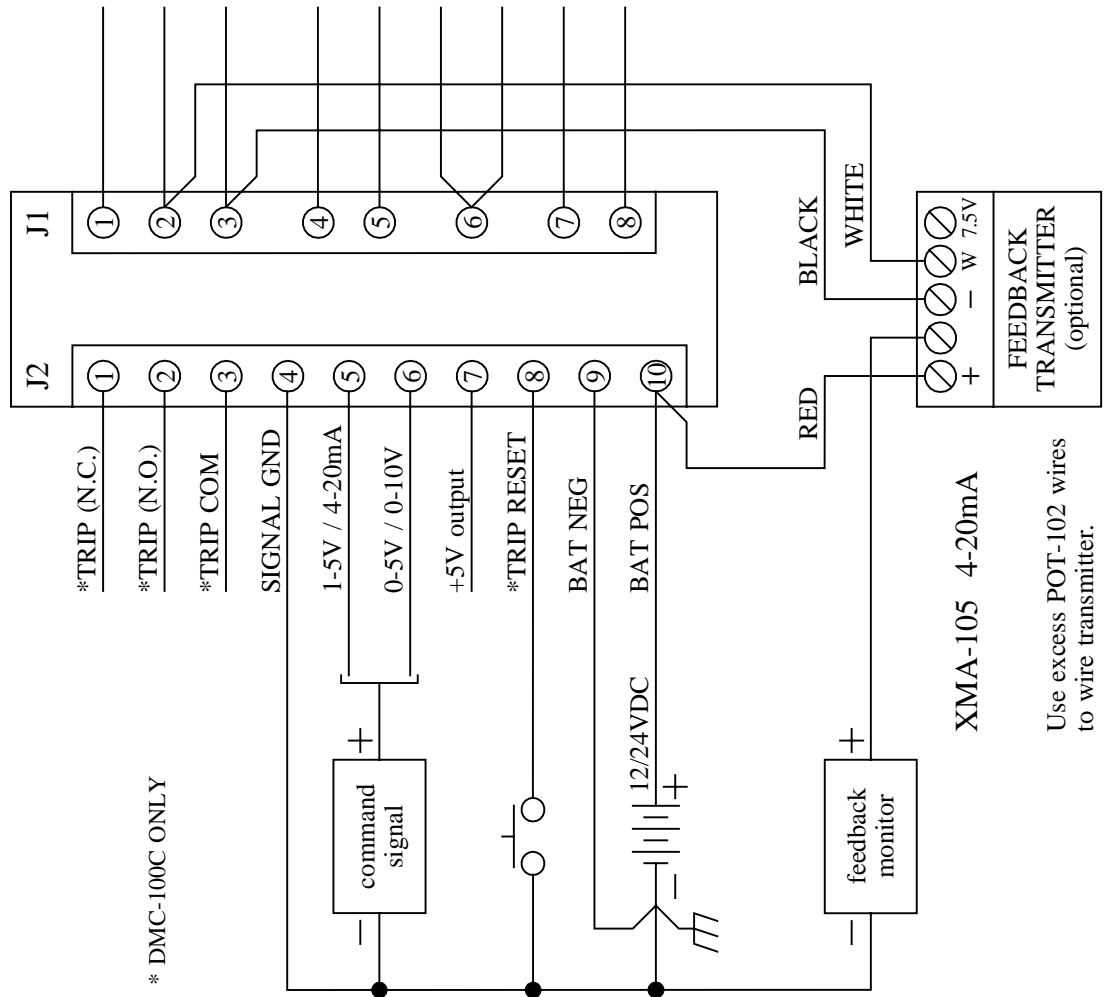
DC ANALOG POSITIONERS (standard)

WIRING DIAGRAM

Bettis EM-300 Actuators

DMC-100A / DMC-100C

Note, this application requires an EXE-100 external enclosure and (2) EEF-100 fittings.



* DMC-100C ONLY

XMA-105 4-20mA

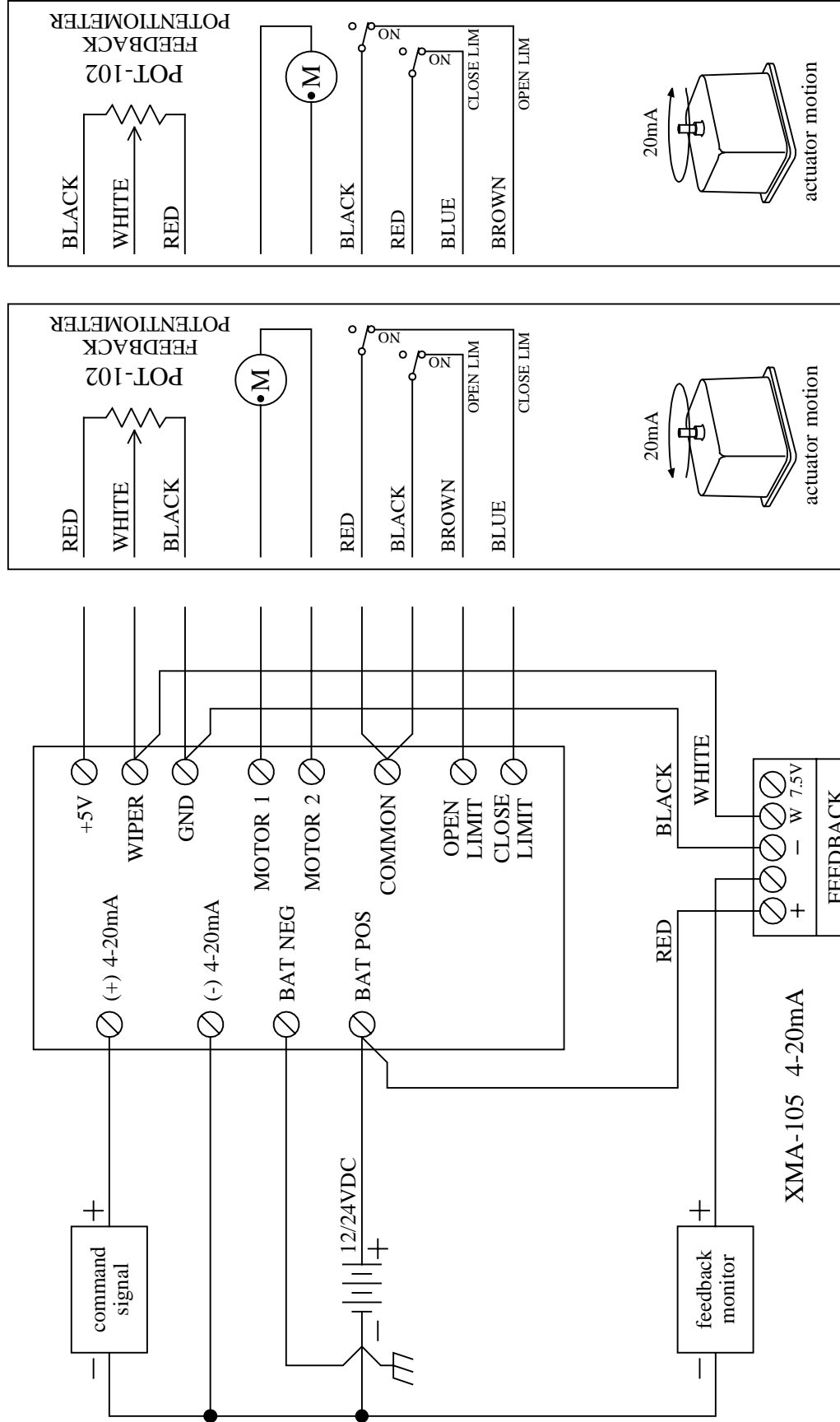
Use excess POT-102 wires to wire transmitter.

DC ANALOG POSITIONER (miniature)

WIRING DIAGRAM

Bettis EM-300 Actuators

DMC-101



XMA-105 4-20mA

Use excess POT-102 wires to wire transmitter.

REVERSE ACTING

DIRECT ACTING

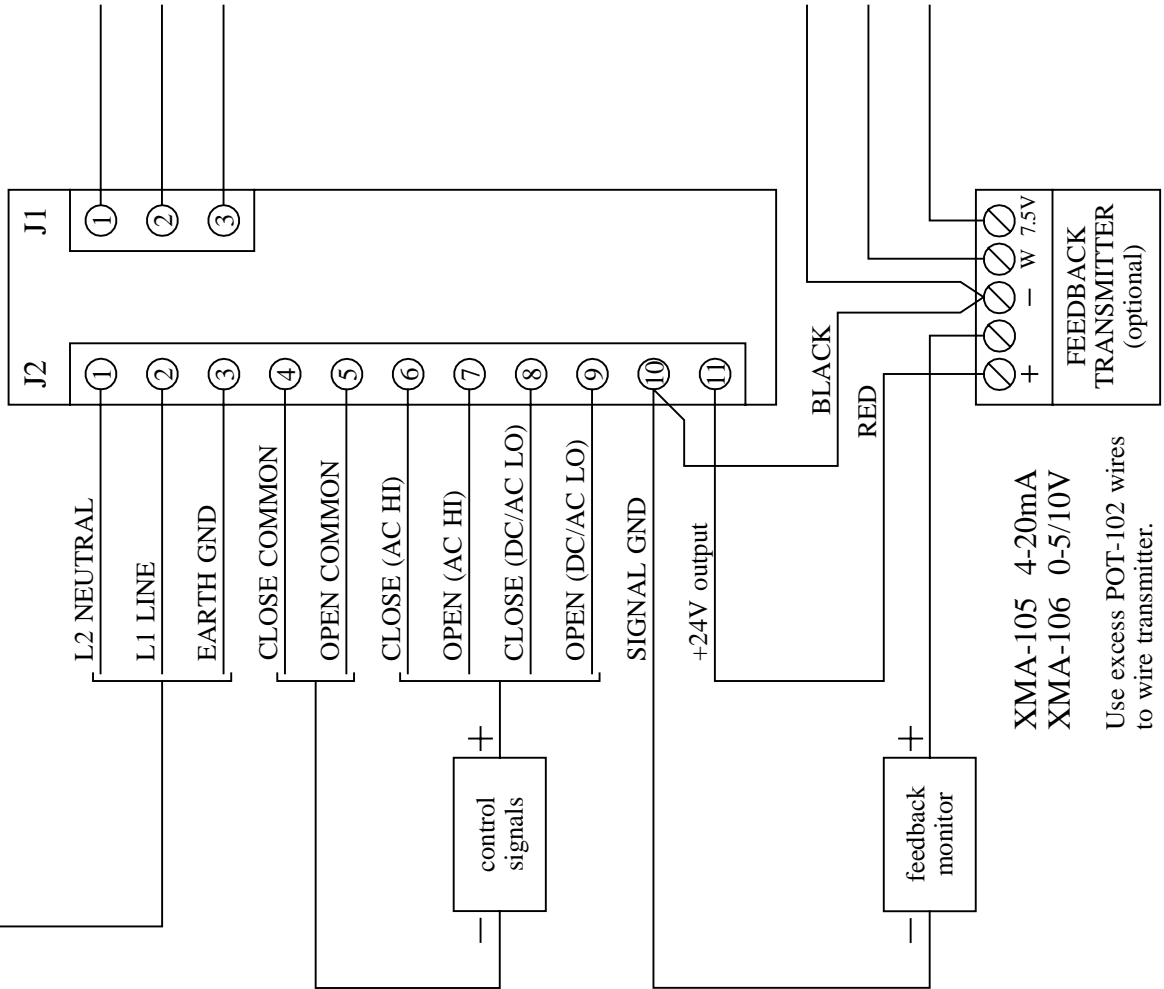
AC ON/OFF CONTROLLERS

WIRING DIAGRAM

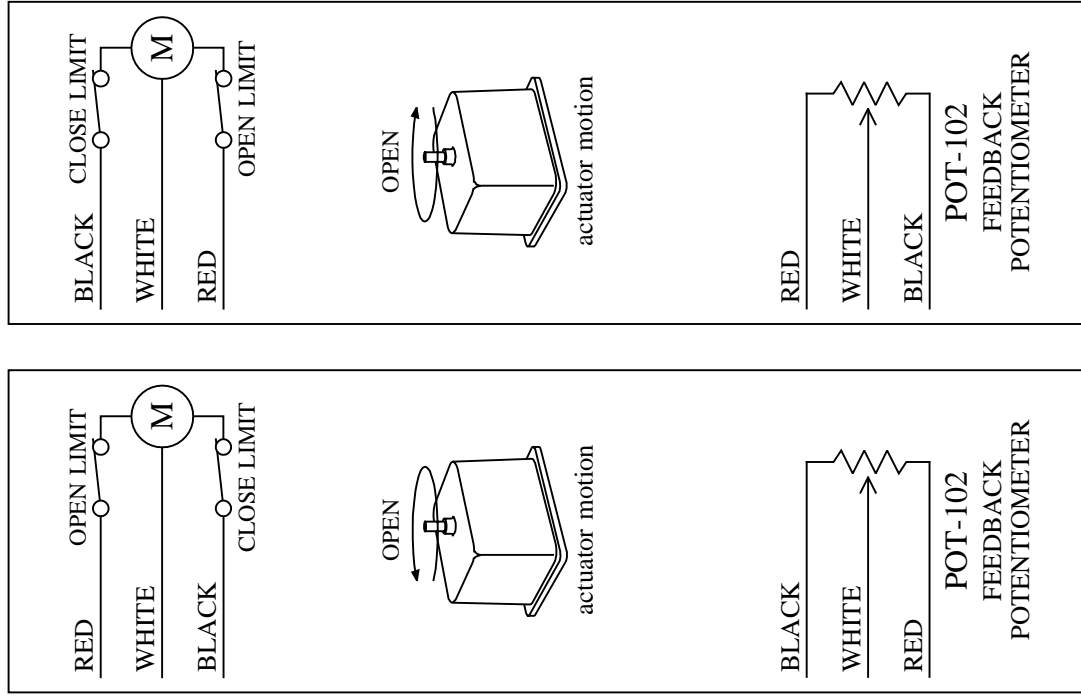
Bettis EM-300 Actuators

117VAC AMI-103
234VAC AMI-103A

Note, this application requires an EXE-100 external enclosure and (2) EEF-100 fittings.



XMA-105 4-20mA
XMA-106 0-5/10V
Use excess POT-102 wires to wire transmitter.



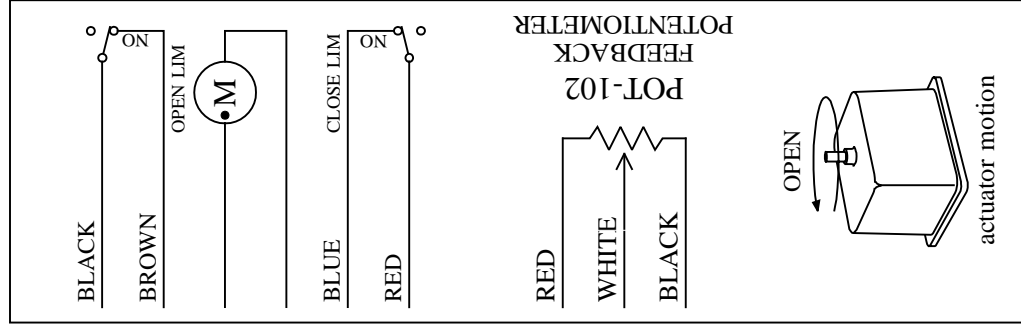
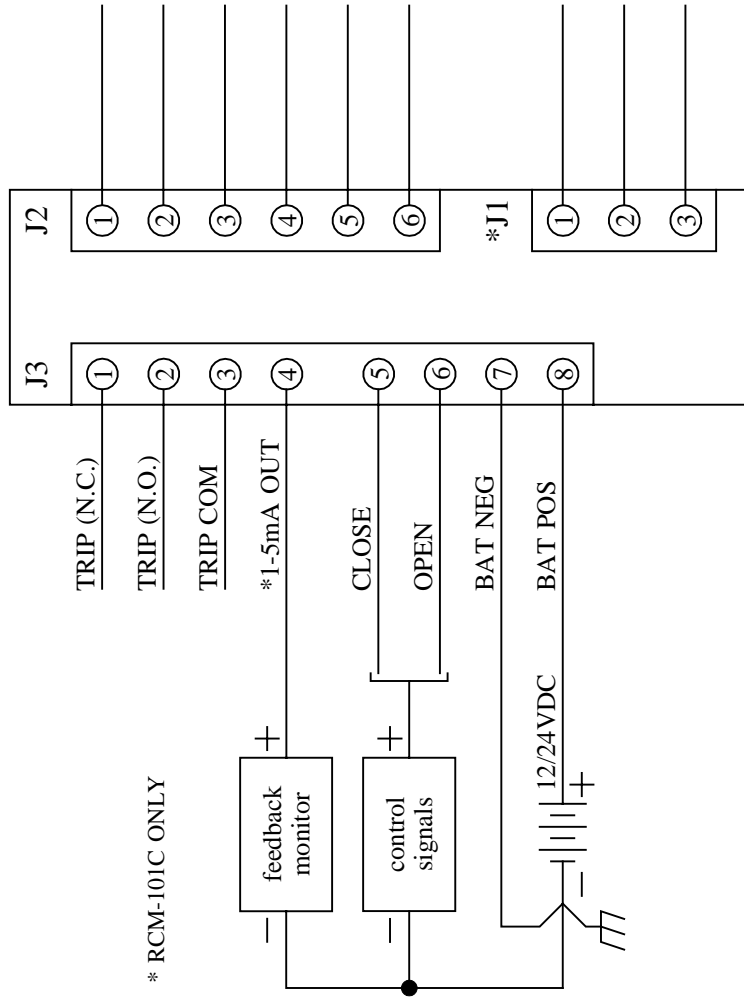
DC ON/OFF CONTROLLER

WIRING DIAGRAM

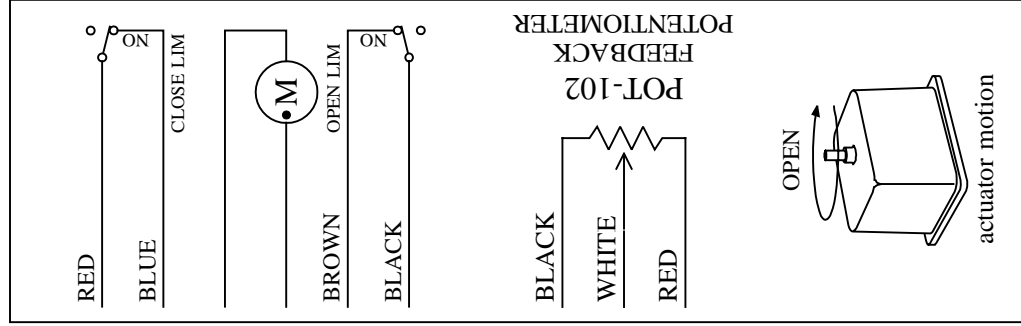
Bettis EM-300 Actuators

RCM-101A / RCM-101C

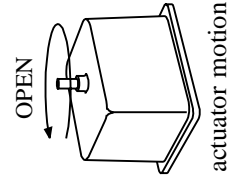
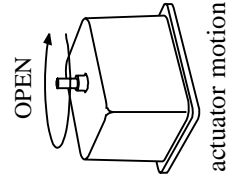
Note, this application requires an EXE-100 external enclosure and (2) EEF-100 fittings.



DIRECT ACTING



REVERSE ACTING

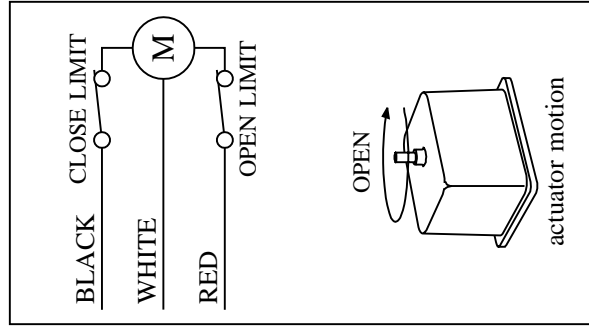
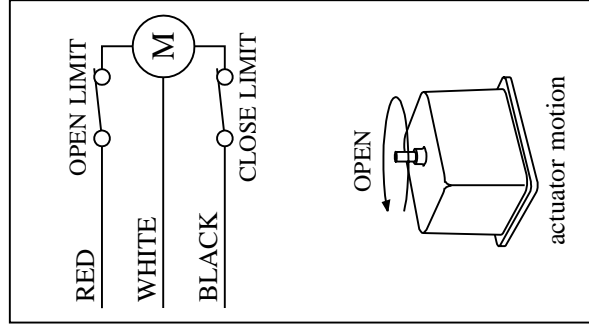
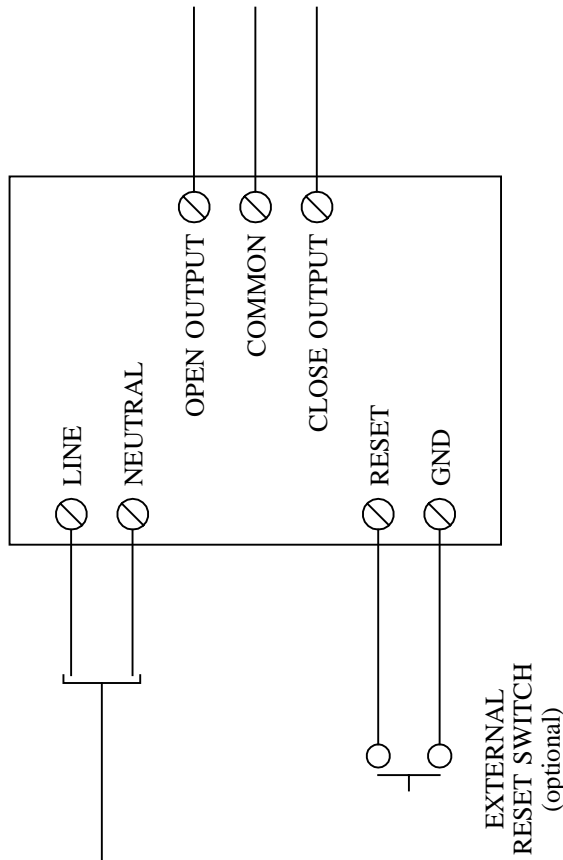


AC SEQUENCE TIMERS

WIRING DIAGRAM

Betis EM-300 Actuators

117VAC AST-100
234VAC AST-100A

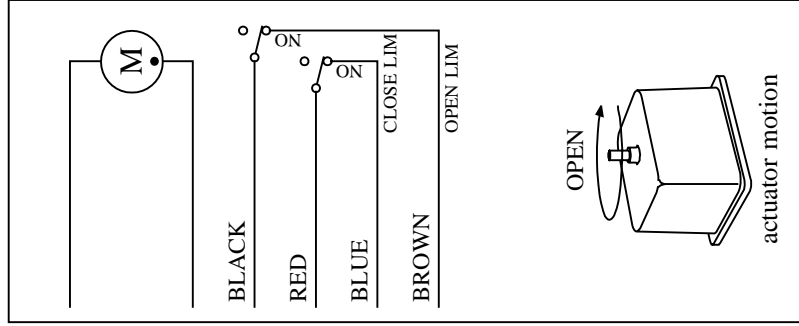
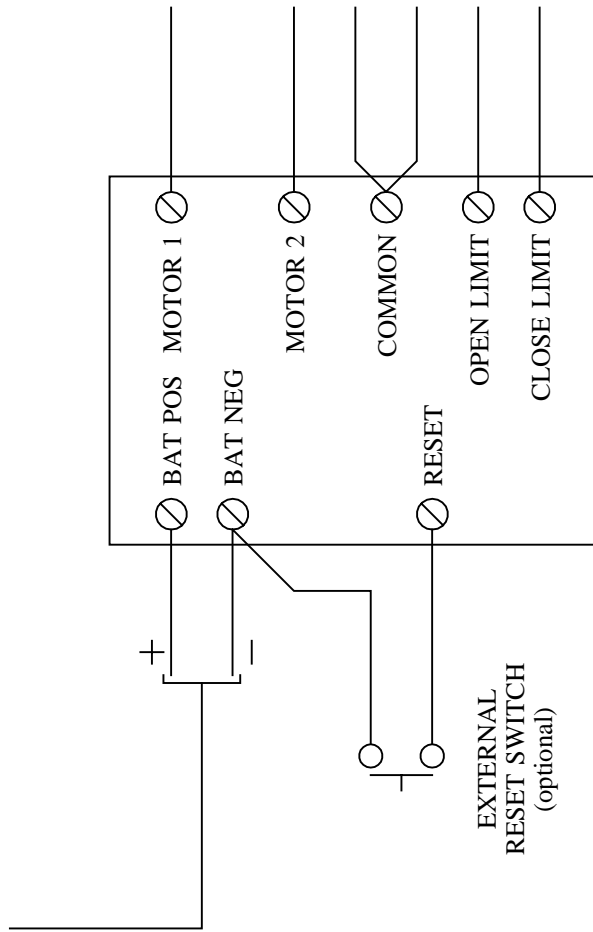


DC SEQUENCE TIMERS

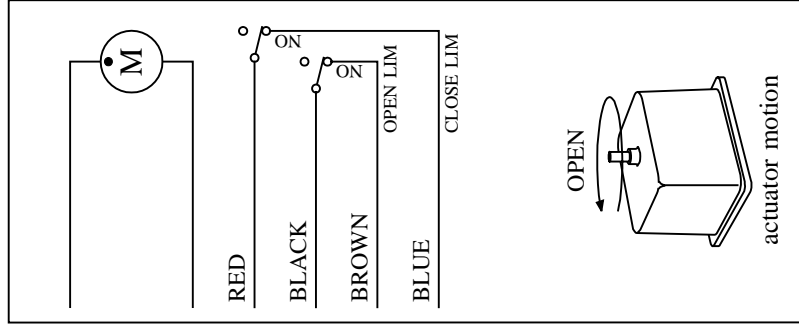
WIRING DIAGRAM

Bettis EM-300 Actuators

12VDC DST-100
24VDC DST-100A



REVERSE ACTING



DIRECT ACTING

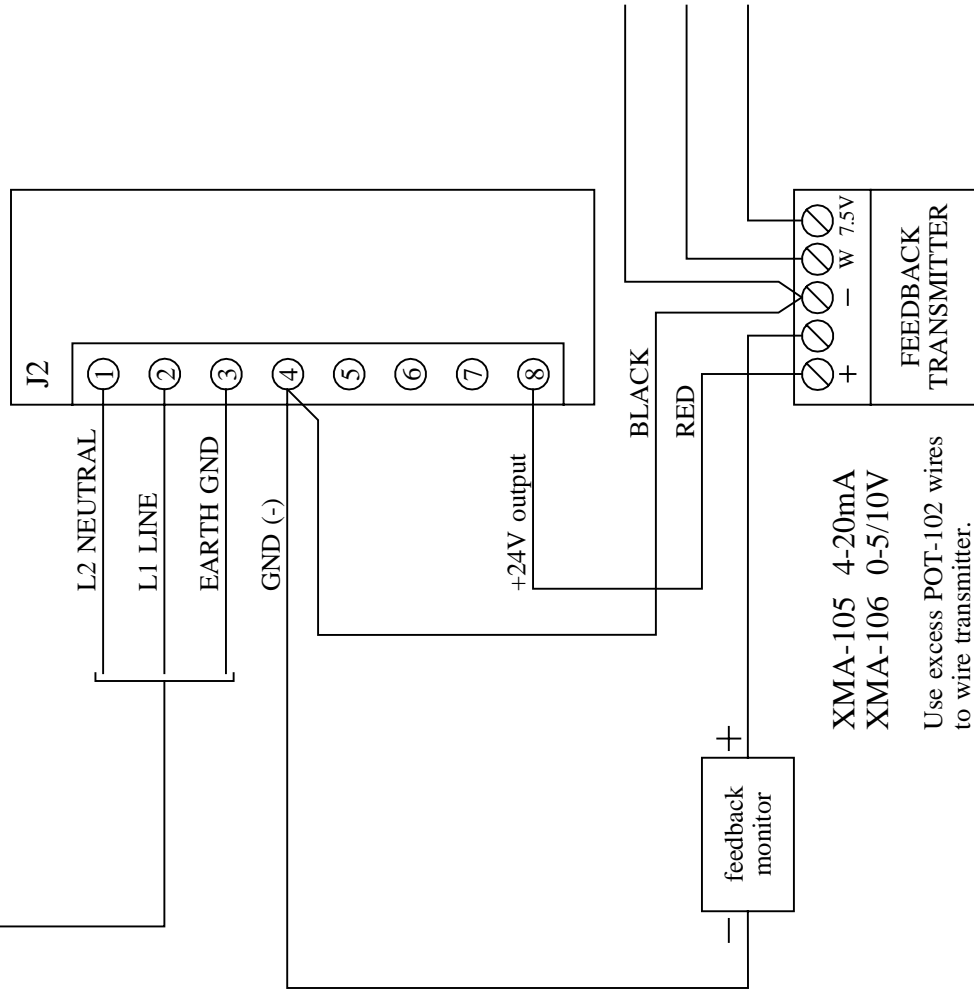
FEEDBACK TRANSMITTERS (powered)

WIRING DIAGRAM

Bettis EM-300 Actuators

117VAC PWR-102
234VAC PWR-102A

Note, this application requires an EXE-100 external enclosure and (2) EEF-100 fittings.



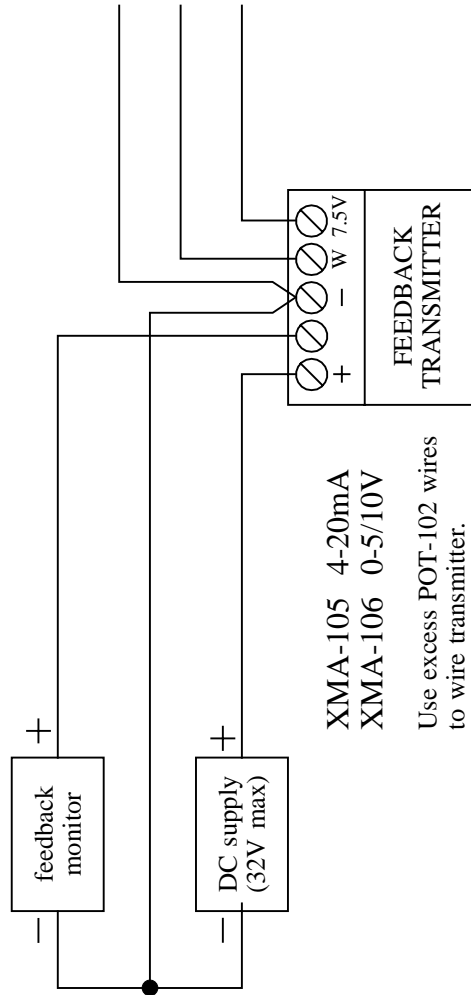
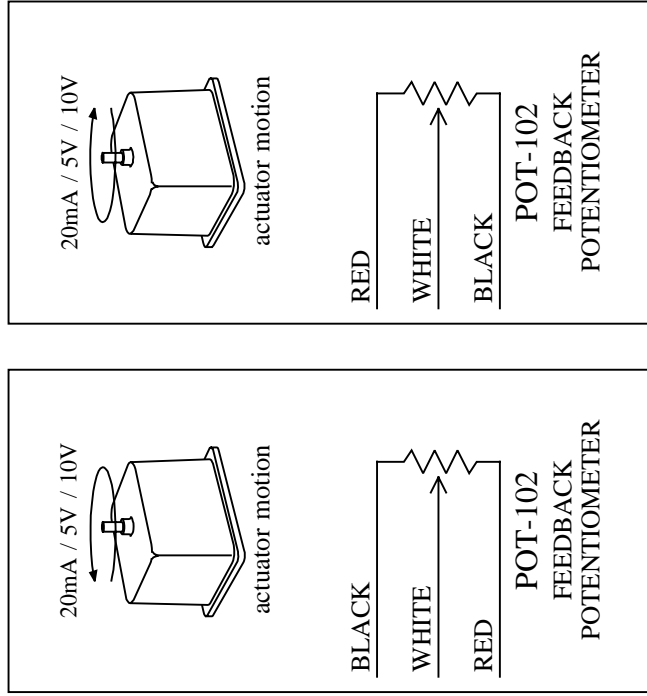
XMA-105 4-20mA
XMA-106 0-5/10V

Use excess POT-102 wires to wire transmitter.

FEEDBACK TRANSMITTERS (externally powered)

WIRING DIAGRAM

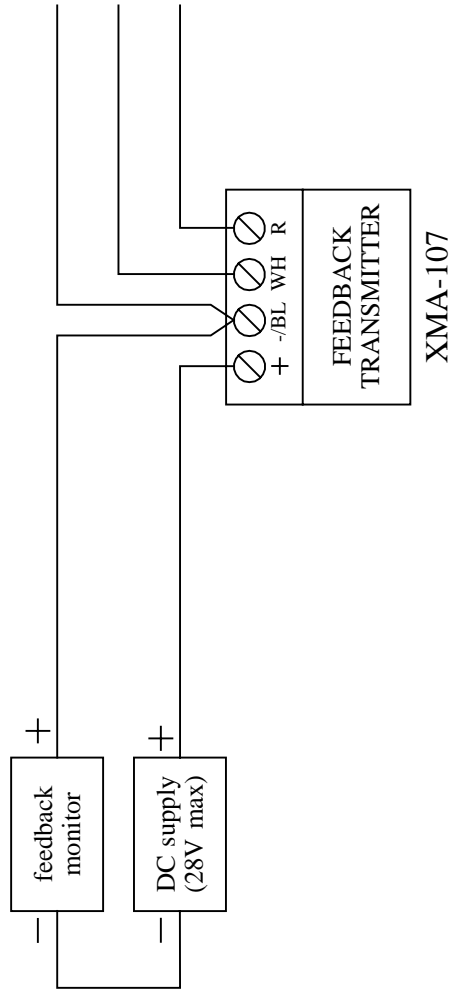
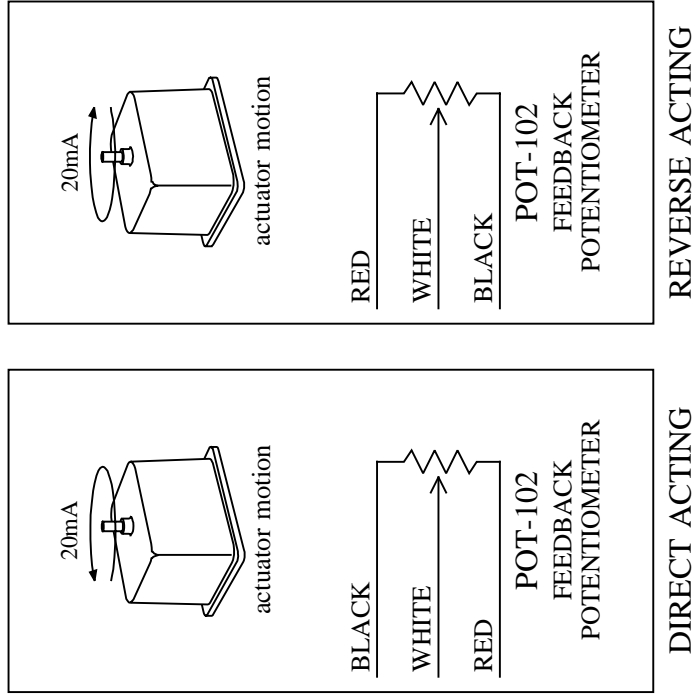
Bettis EM-300 Actuators



FEEDBACK TRANSMITTER (loop powered)

WIRING DIAGRAM

Bettis EM-300 Actuators



FEEDBACK POTENTIOMETERS

WIRING DIAGRAM

- 1K ohms POT-102
- 2K ohms POT-112
- 5K ohms POT-111

Bettis EM-300 Actuators

