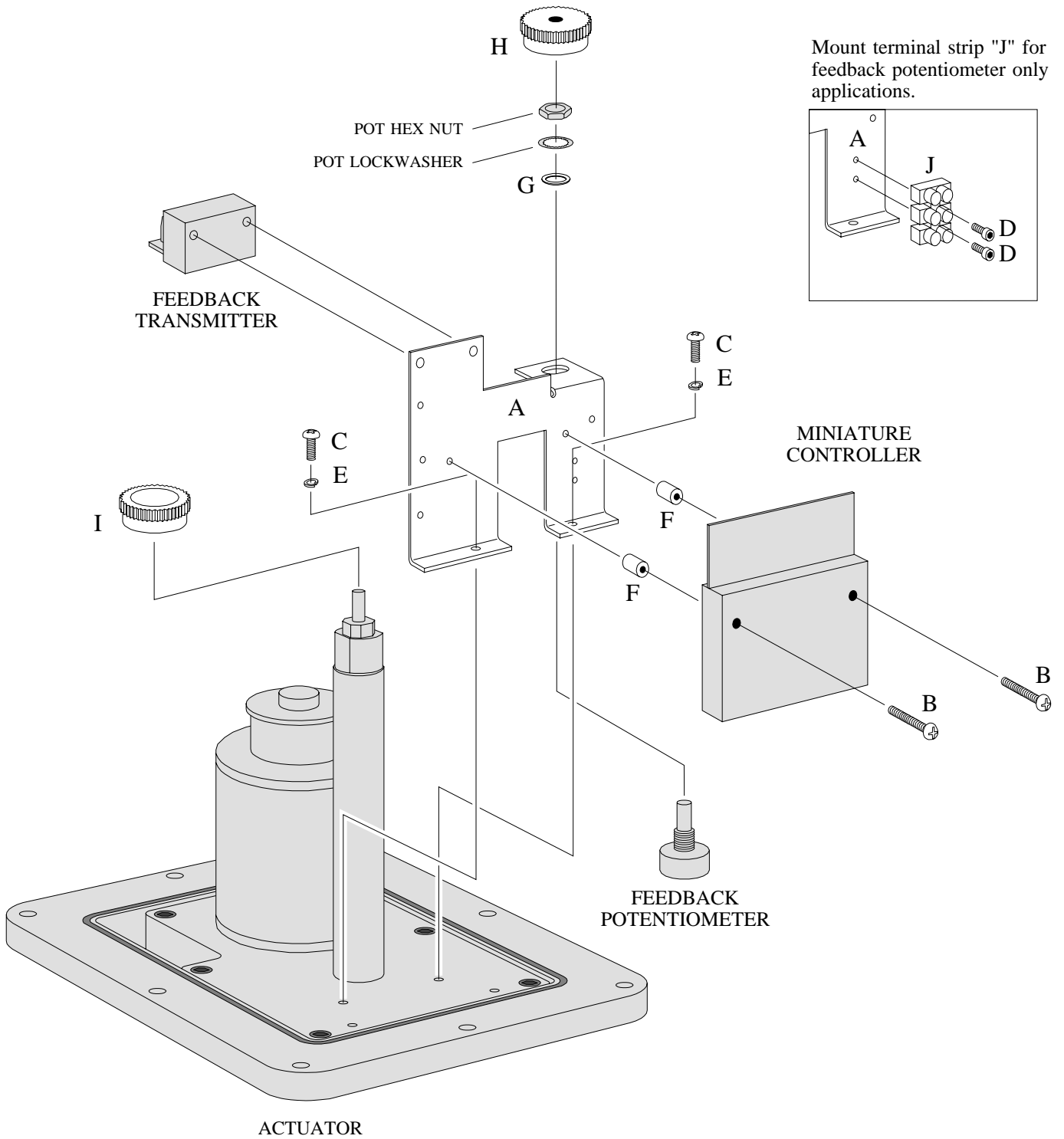
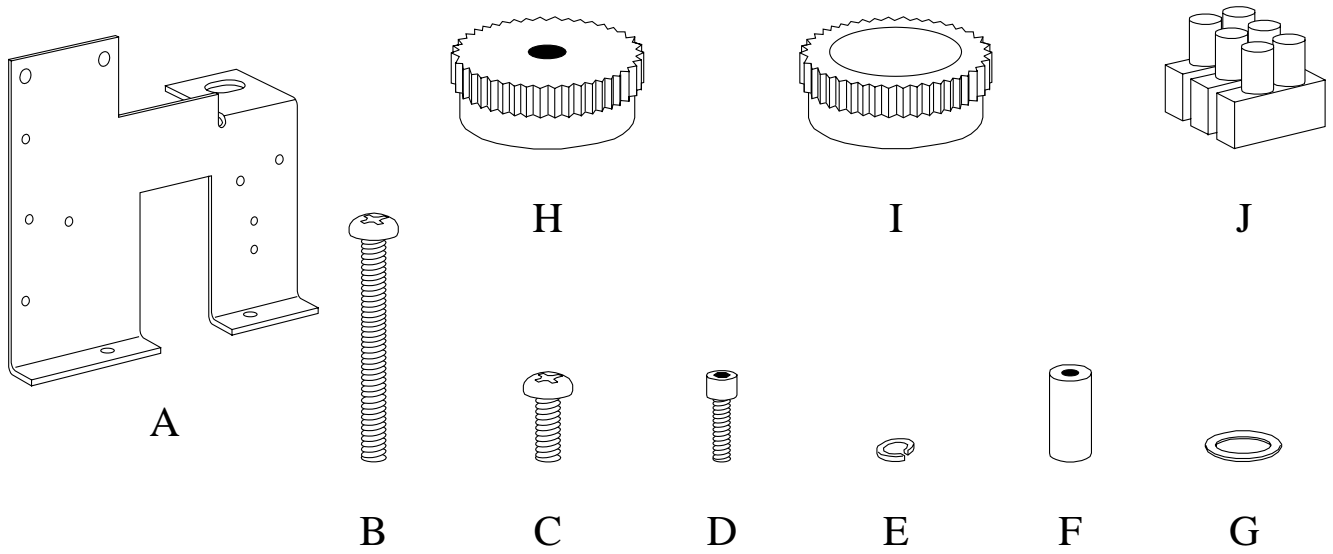


ASSEMBLY DIAGRAM

Bettis EM-500, -510, -520 Actuators



KIT CONTENTS



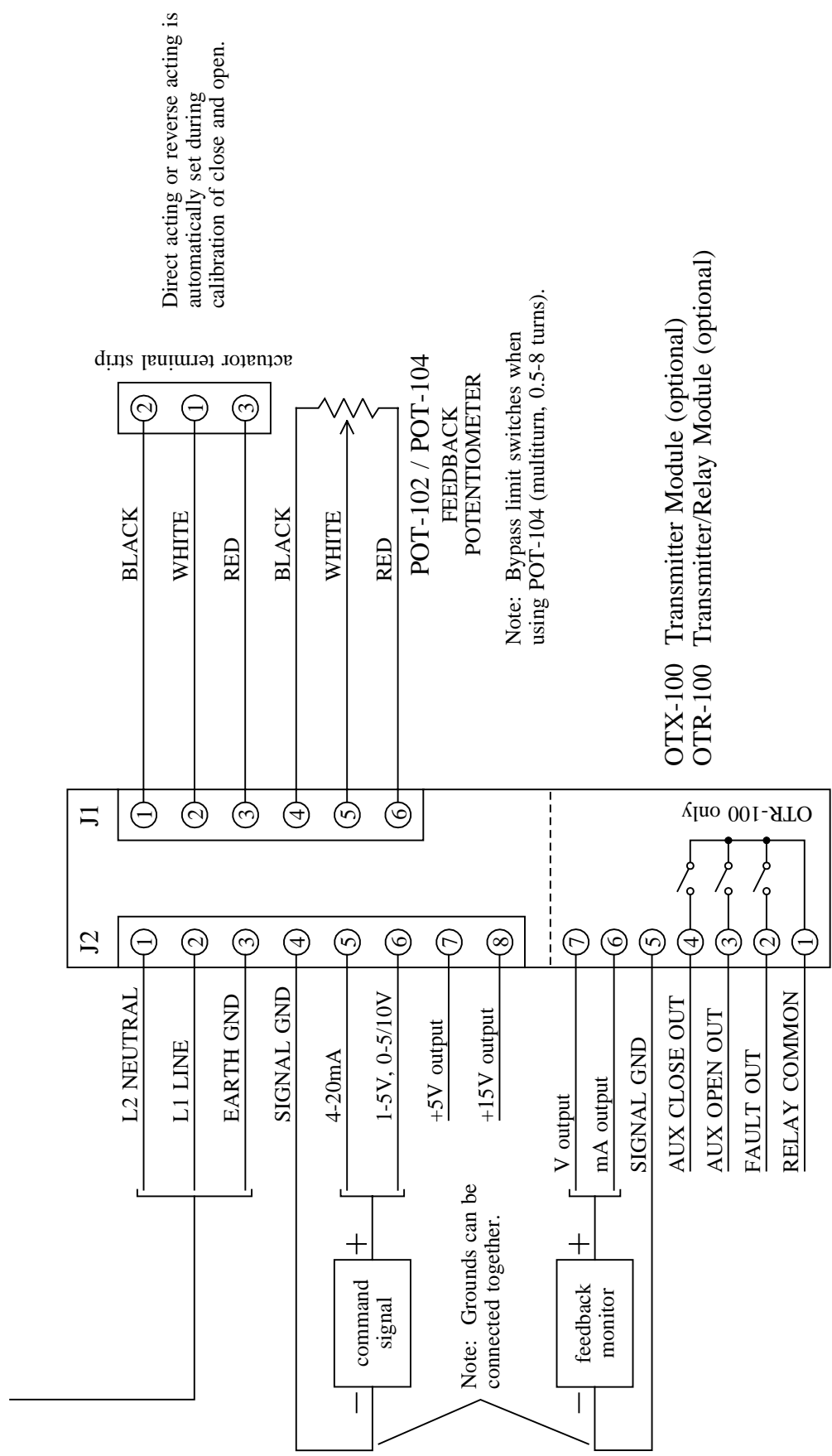
ITEM	QTY	DESCRIPTION
A	1	positioner bracket
B	2	#6-32 X 1.25" pan head screw
C	6	#6-32 X 0.375" pan head screw
D	2	#4-40 X 0.375" socket head cap screw
E	6	#6 split ring lockwasher
F	2	0.437" round spacer
G	1	potentiometer anti-slip washer
H	1	potentiometer gear
I	1	output shaft gear
J	1	3 pin Eurostrip screw terminal
not shown	1	10" white wire
not shown	1	10" black wire
not shown	1	10" red wire
not shown	1	10" brown wire
not shown	1	10" blue wire
not shown	3	6.3" nylon tie wrap

AC DIGITAL POSITIONERS

WIRING DIAGRAM

Bettis EM-500, -510, -520 Actuators

117VAC DHC-100
234VAC DHC-100A



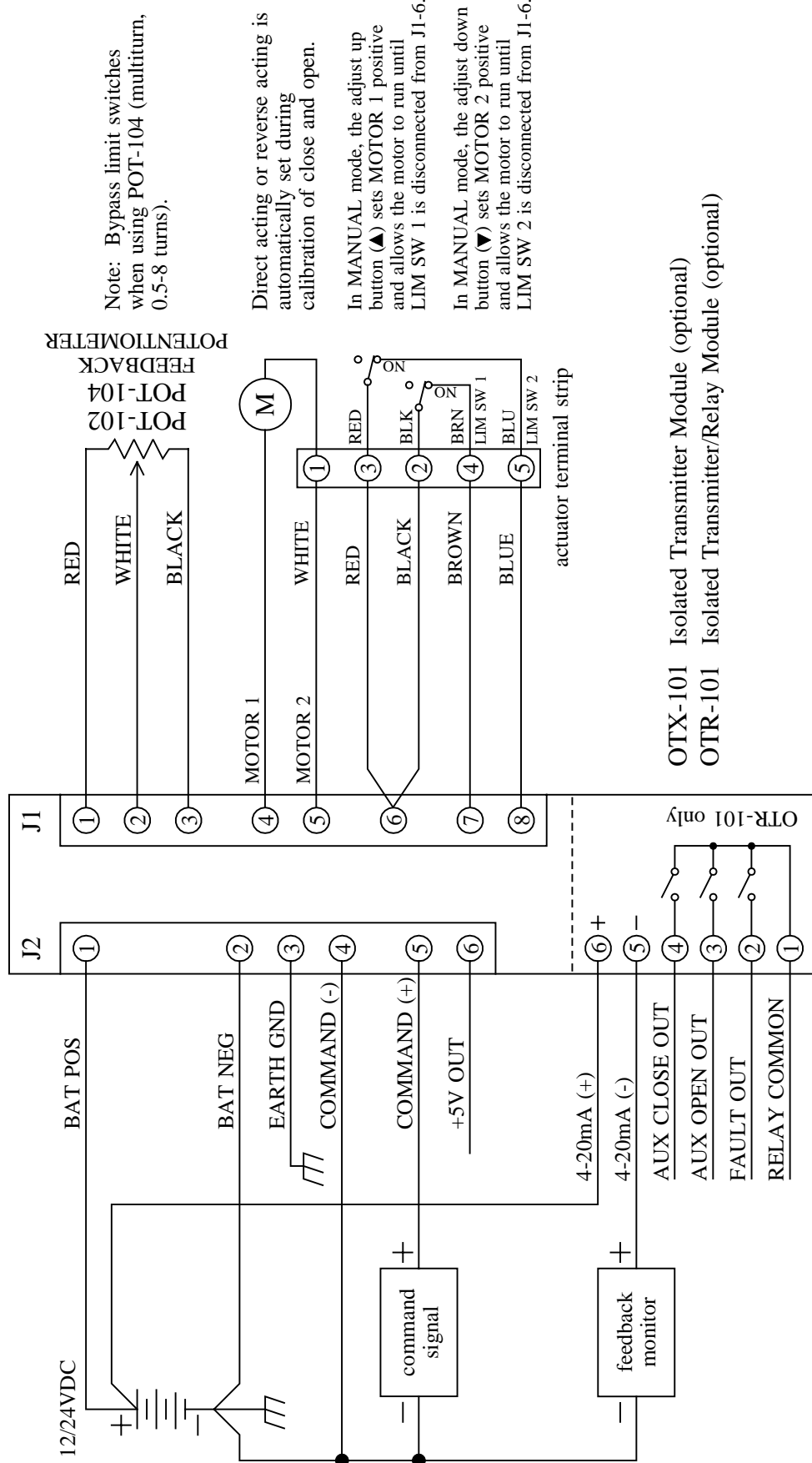
OTX-100 Transmitter Module (optional)
OTR-100 Transmitter/Relay Module (optional)

DC DIGITAL POSITIONER

WIRING DIAGRAM

Bettis EM-500, -510, -520 Actuators

DHC-400



Note: Bypass limit switches when using POT-104 (multiturn, 0.5-8 turns).

Direct acting or reverse acting is automatically set during calibration of close and open.

In MANUAL mode, the adjust up button (▲) sets MOTOR 1 positive and allows the motor to run until LIM SW 1 is disconnected from J1-6.

In MANUAL mode, the adjust down button (▼) sets MOTOR 2 positive and allows the motor to run until LIM SW 2 is disconnected from J1-6.

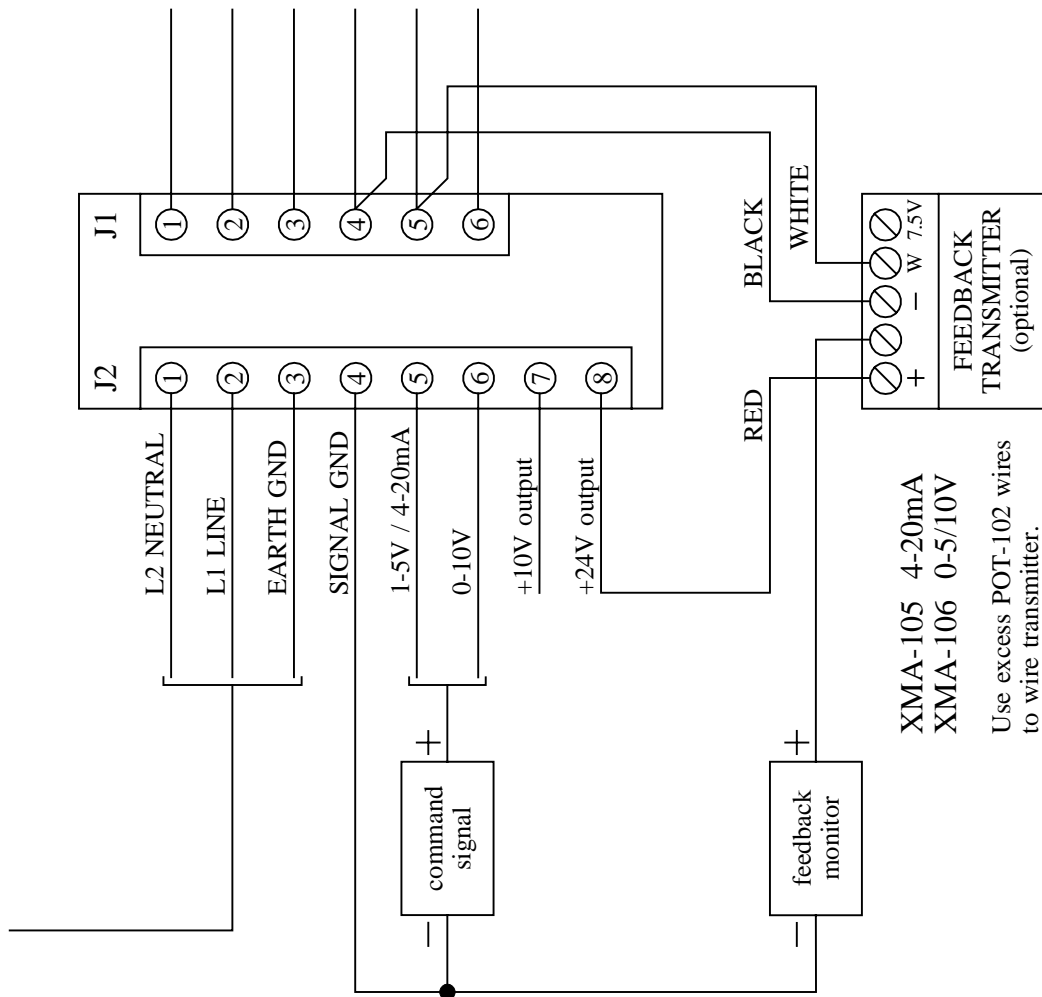
OTX-101 Isolated Transmitter Module (optional)
 OTR-101 Isolated Transmitter/Relay Module (optional)

AC ANALOG / LOG RATE POSITIONERS (standard)

WIRING DIAGRAM

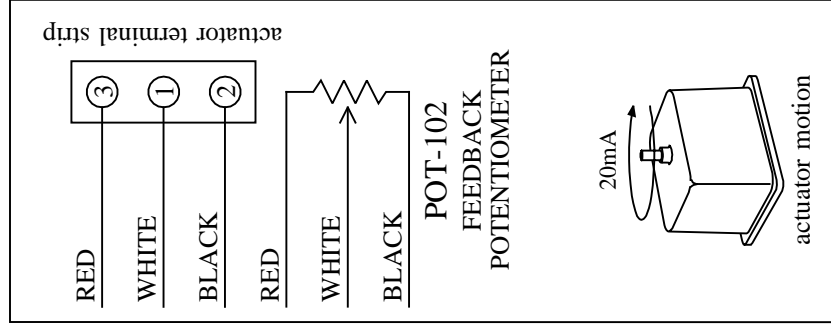
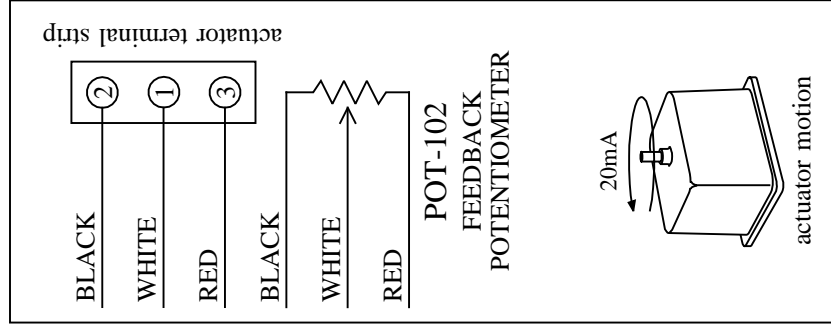
Bettis EM-500, -510, -520 Actuators

117VAC AMC-100A / LRC-101A / LRC-101G
 234VAC AMC-101C / LRC-101B / LRC-101H



XMA-105 4-20mA
 XMA-106 0-5/10V

Use excess POT-102 wires to wire transmitter.

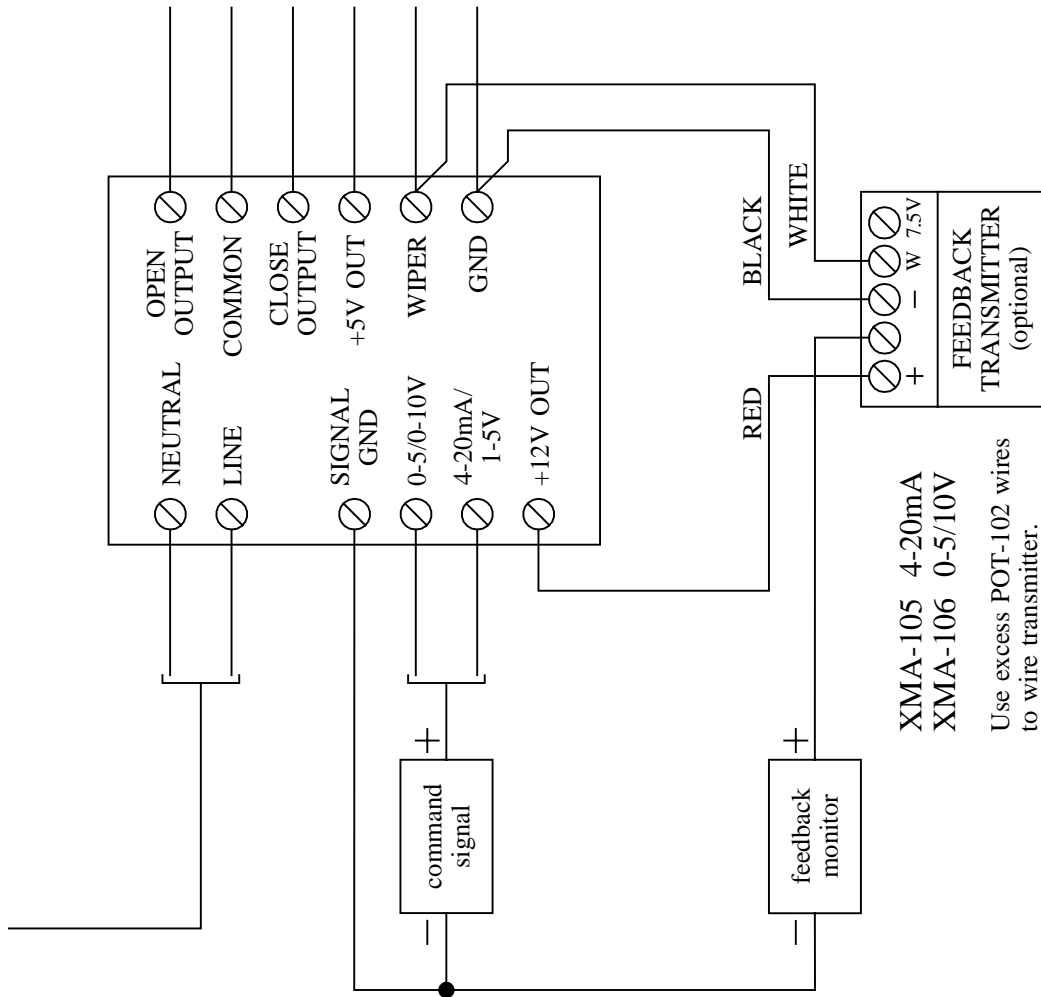


AC ANALOG POSITIONERS (miniature)

WIRING DIAGRAM

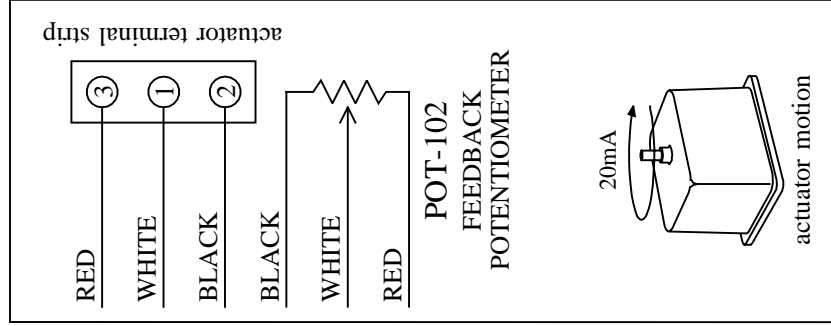
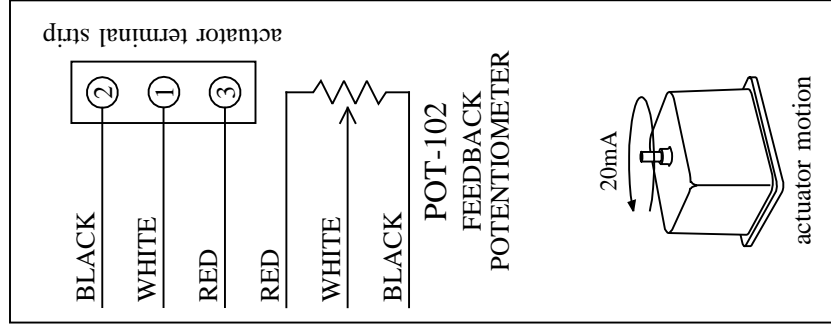
Bettis EM-500, -510, -520 Actuators

117VAC AMC-103
234VAC AMC-103A



XMA-105 4-20mA
XMA-106 0-5/10V

Use excess POT-102 wires to wire transmitter.

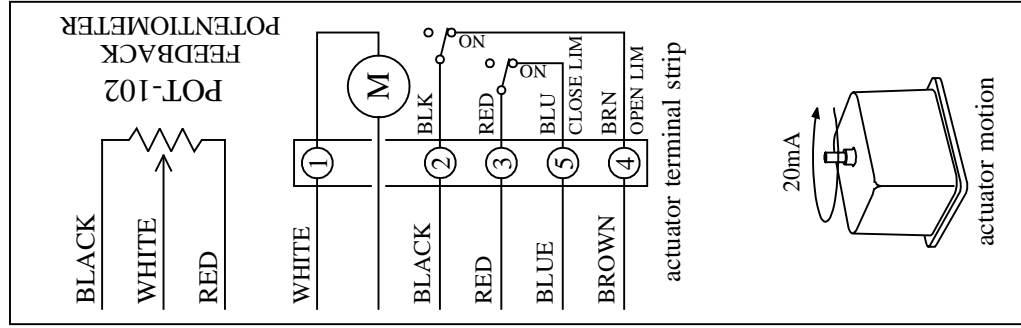
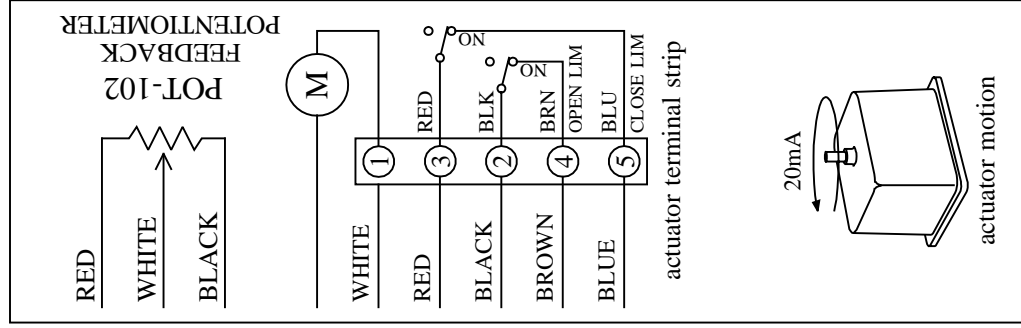
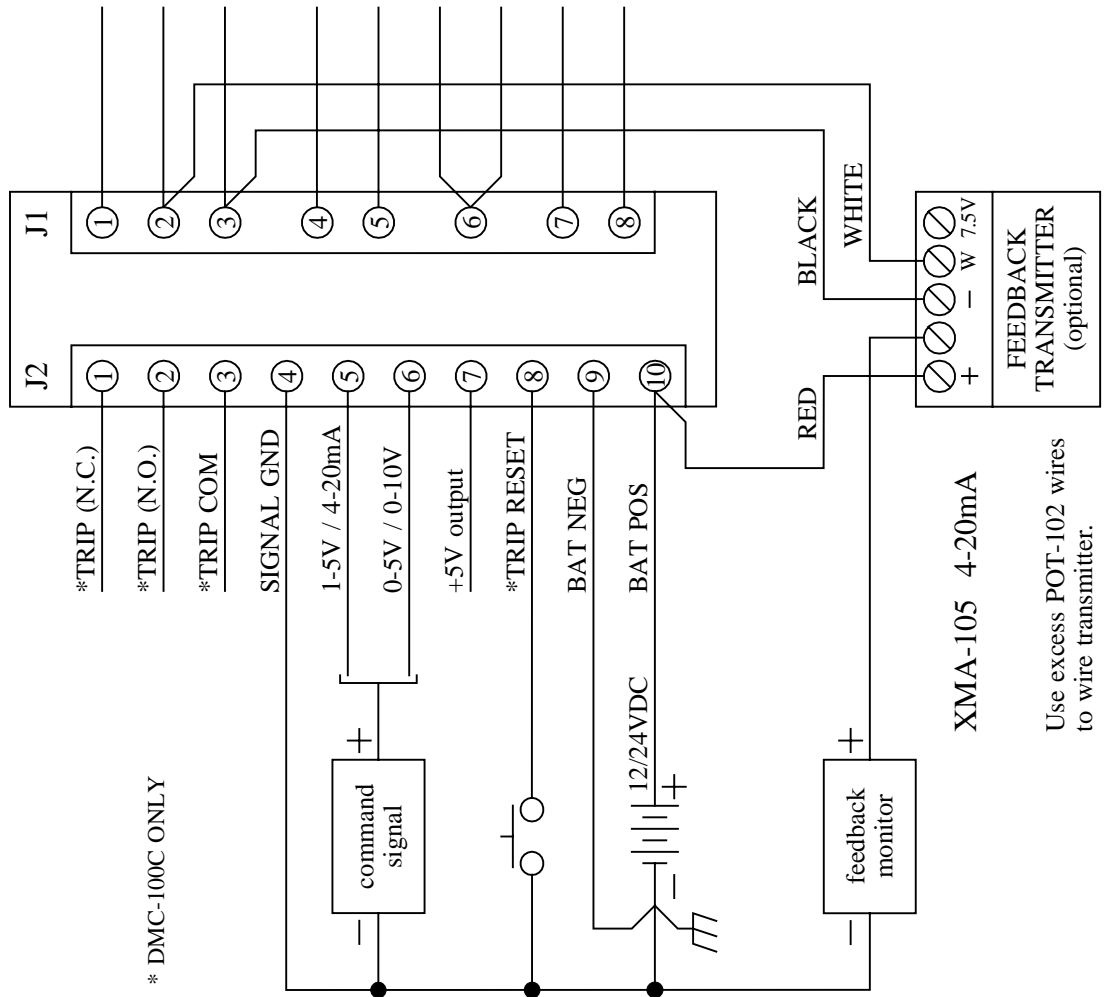


DC ANALOG POSITIONERS

WIRING DIAGRAM

Bettis EM-500, -510, -520 Actuators

DMC-100A / DMC-100C



* DMC-100C ONLY

XMA-105 4-20mA

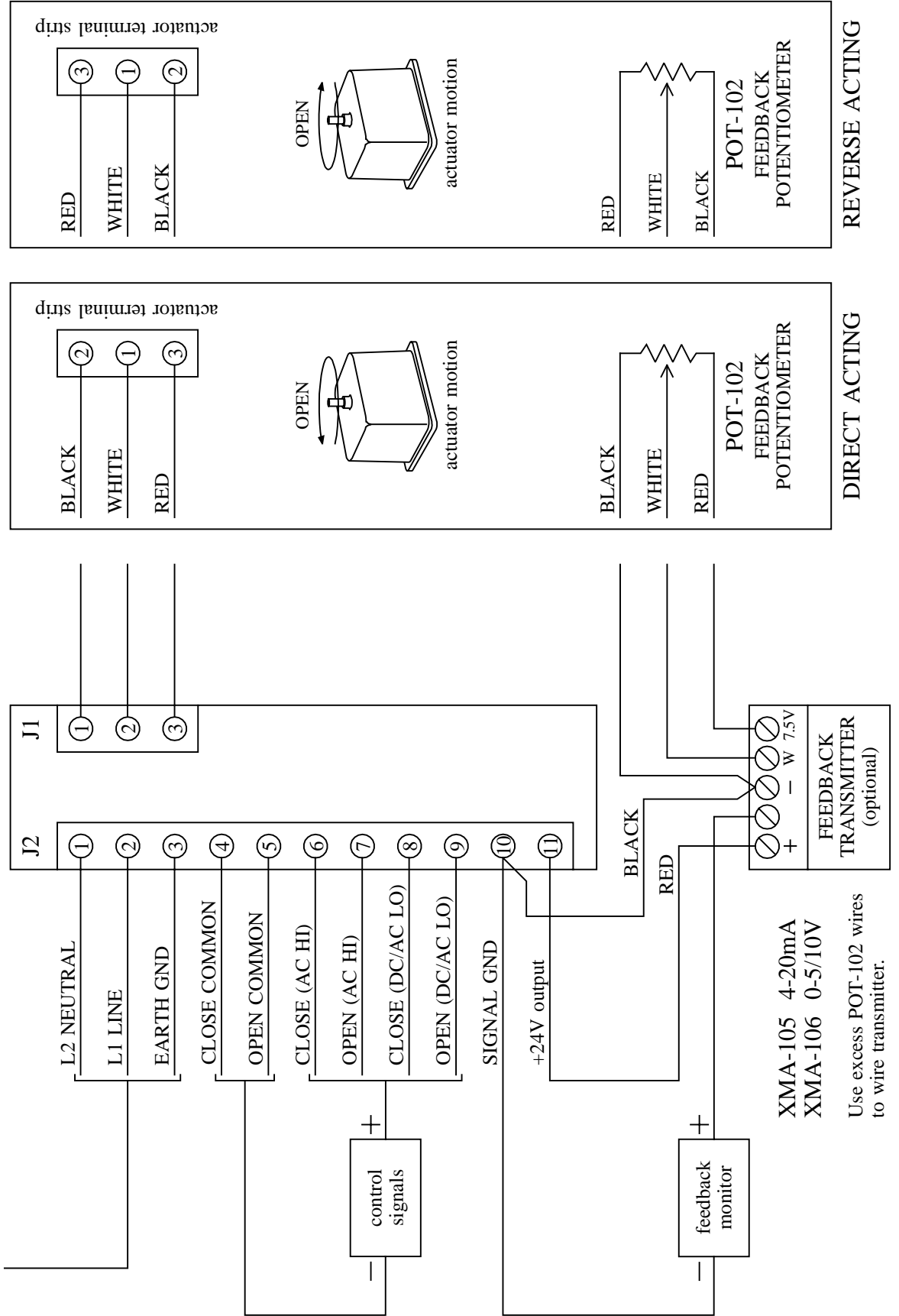
Use excess POT-102 wires to wire transmitter.

AC ON/OFF CONTROLLERS

WIRING DIAGRAM

Bettis EM-500, -510, -520 Actuators

117VAC AMI-103
234VAC AMI-103A



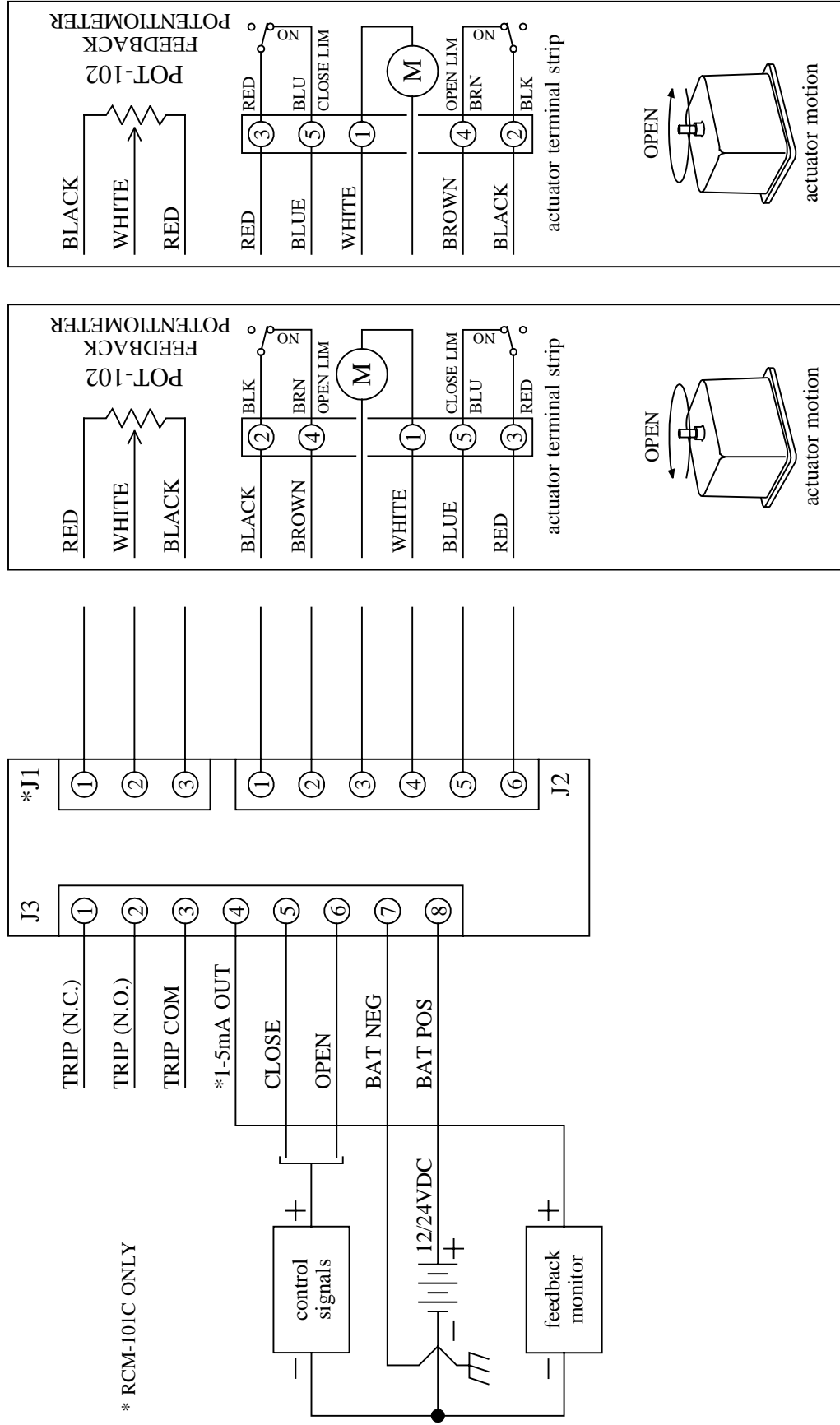
XMA-105 4-20mA
XMA-106 0-5/10V
Use excess POT-102 wires to wire transmitter.

DC ON/OFF CONTROLLERS

WIRING DIAGRAM

Bettis EM-500, -510, -520 Actuators

RCM-101A / RCM-101C



* RCM-101C ONLY