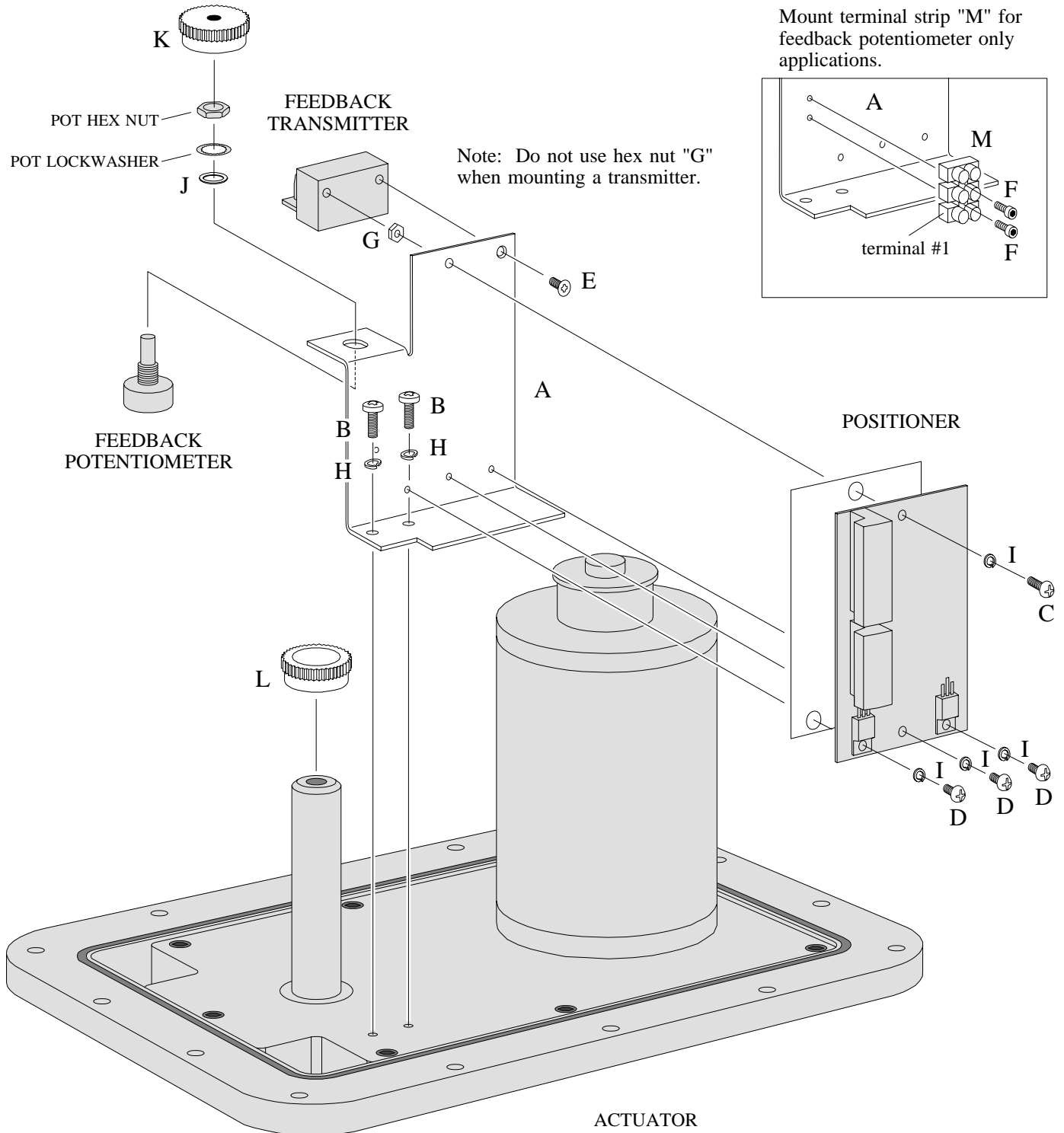
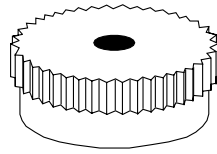
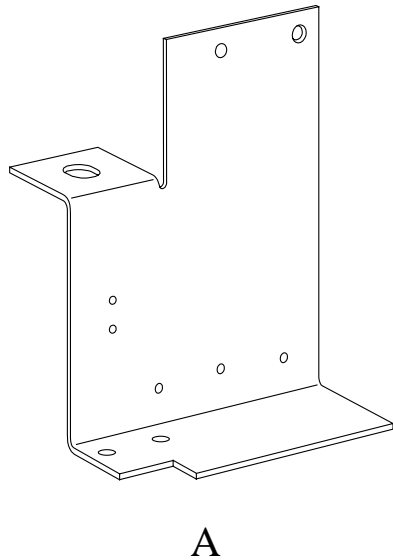


ASSEMBLY DIAGRAM

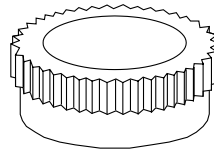
Bettis EM-810, -820, -830, -840 Actuators



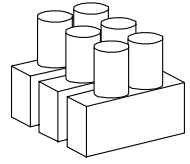
KIT CONTENTS



K



L



M



G



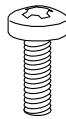
H



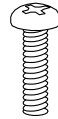
I



J



B



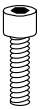
C



D



E



F

ITEM	QTY	DESCRIPTION
A	1	positioner bracket
B	2	#8-32 X 0.375" pan head screw
C	1	#6-32 X 0.5" pan head screw
D	3	#6-32 X 0.375" pan head screw
E	1	#6-32 X 0.375" undercut flat head screw
F	2	#4-40 X 0.375" socket head cap screw
G	1	#6-32 hex nut
H	2	#8 split ring lockwasher
I	4	#6 split ring lockwasher
J	1	potentiometer anti-slip washer
K	1	potentiometer gear
L	1	output shaft gear
M	1	3 pin Eurostrip screw terminal
not shown	1	4" grey wire w/butt connector
not shown	1	10" red wire w/spade terminal
not shown	1	10" black wire w/spade terminal
not shown	1	14" white wire
not shown	1	14" black wire
not shown	2	14" red/white wire
not shown	2	14" black/white wire
not shown	1	14" blue/white wire
not shown	1	14" white/red wire
not shown	1	14" blue/yellow wire
not shown	1	14" white/black wire
not shown	1	14" black wire w/spade terminal
not shown	1	14" red wire w/spade terminal
not shown	3	6.3" nylon tie wrap