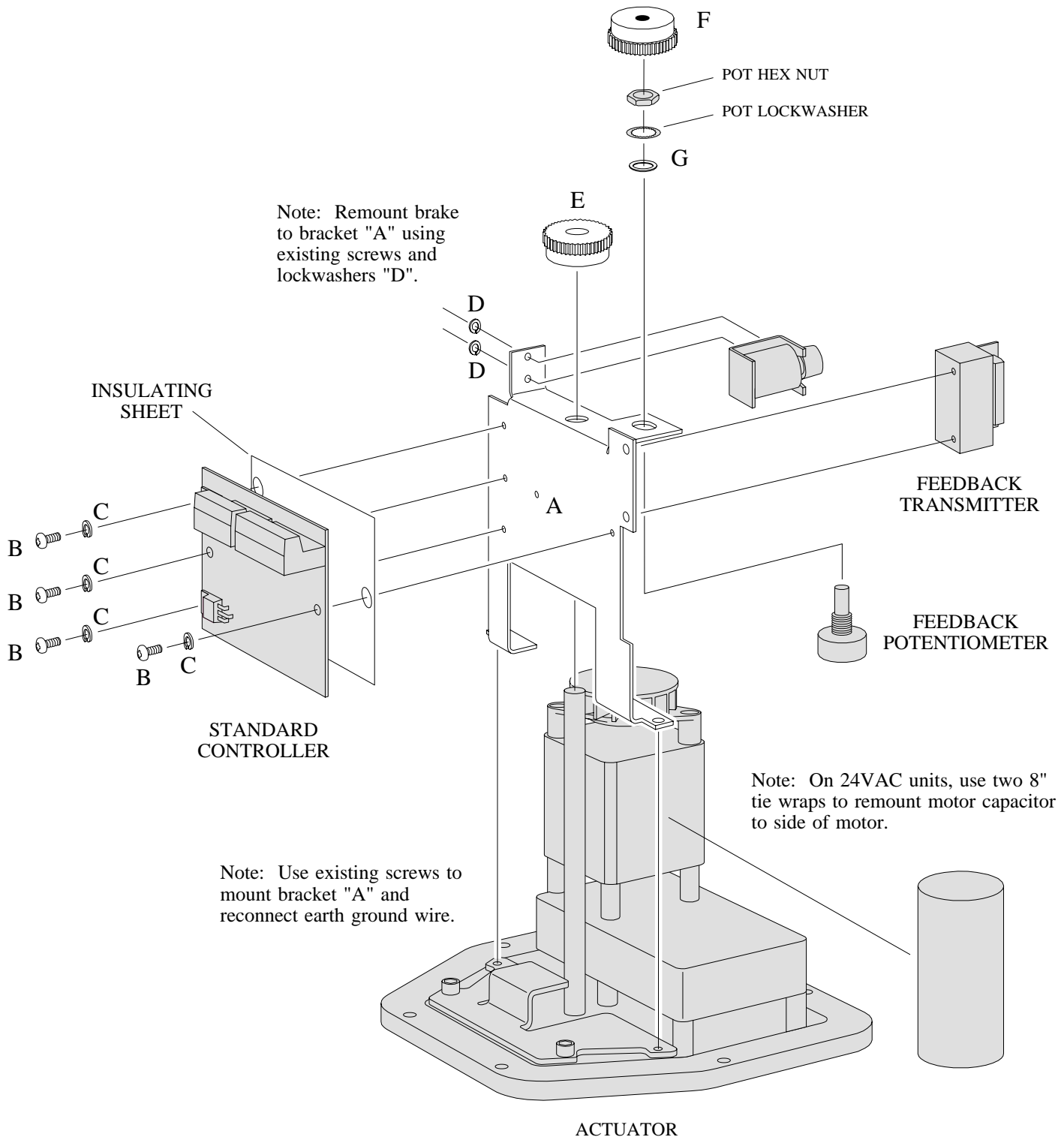
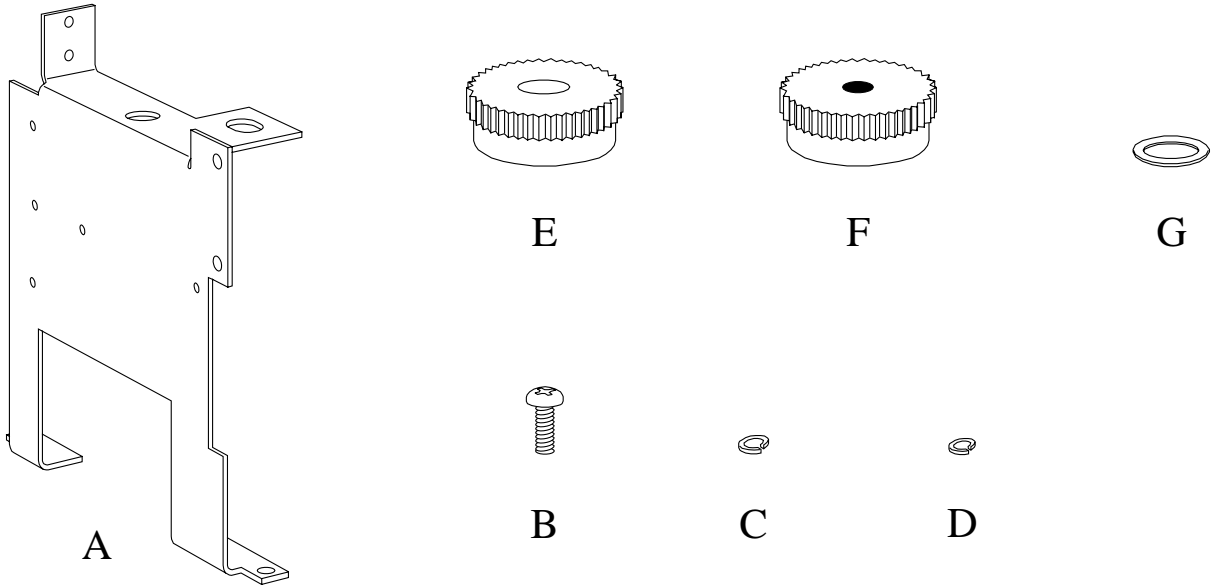


### ASSEMBLY DIAGRAM

Conbraco AE200, 400, 600, 800, 1000 Actuators



## KIT CONTENTS



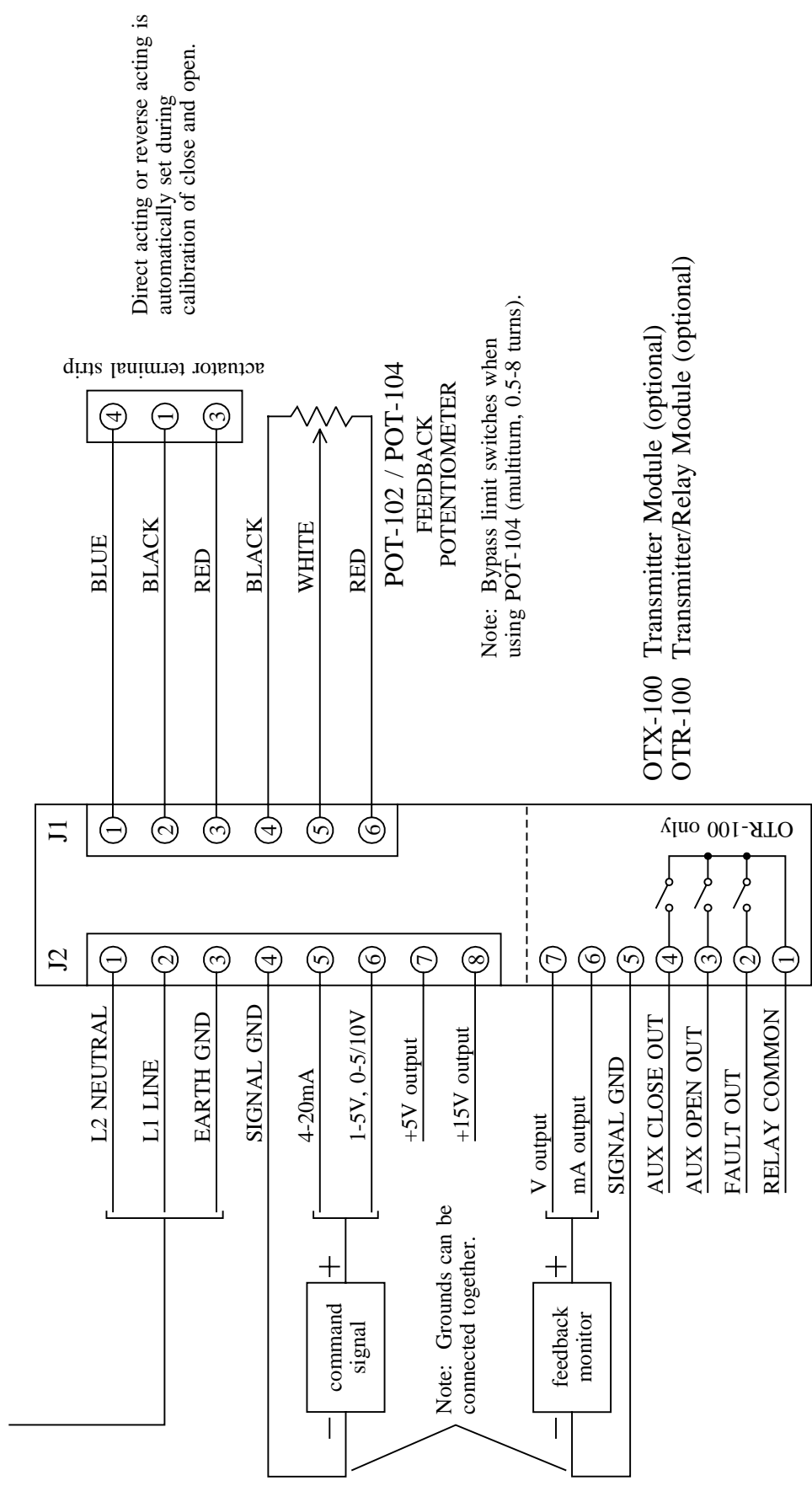
ITEM	QTY	DESCRIPTION
A	1	positioner bracket
B	4	#6-32 X 0.375" pan head screw
C	4	#6 split ring lockwasher
D	2	#4 split ring lockwasher
E	1	output shaft gear
F	1	potentiometer gear
G	1	potentiometer anti-slip washer
not shown	1	7" black wire
not shown	2	7" red wire
not shown	1	7" blue wire
not shown	1	7" brown wire
not shown	4	0.187" spade terminal (for limit switch wires - 24VAC and DC units only)
not shown	4	0.25" spade terminal (for motor capacitor wires - 24VAC units only)
not shown	2	6.3" nylon tie wrap
not shown	2	8" nylon tie wrap

# AC DIGITAL POSITIONERS

## WIRING DIAGRAM

Conbraco AE200, 400, 600, 800, 1000 Actuators

117VAC DHC-100  
 234VAC DHC-100A  
 24VAC DHC-100B



Direct acting or reverse acting is automatically set during calibration of close and open.

Note: Bypass limit switches when using POT-104 (multiturn, 0.5-8 turns).

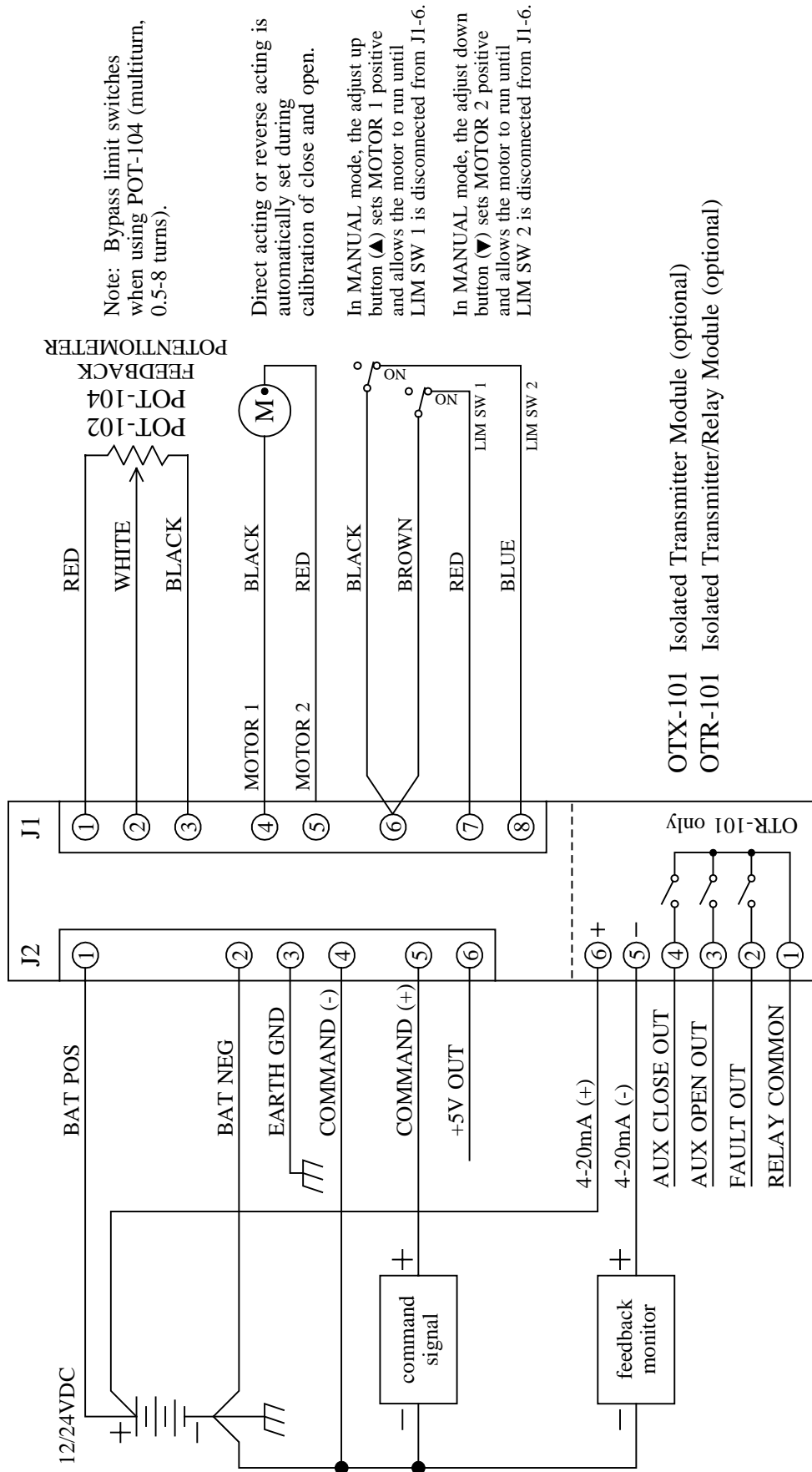
OTX-100 Transmitter Module (optional)  
 OTR-100 Transmitter/Relay Module (optional)

# DC DIGITAL POSITIONER

WIRING DIAGRAM

Conbraco AE200, 400, 600, 800, 1000 Actuators

DHC-400



Note: Bypass limit switches when using POT-104 (multiturn, 0.5-8 turns).

Direct acting or reverse acting is automatically set during calibration of close and open.

In MANUAL mode, the adjust up button (▲) sets MOTOR 1 positive and allows the motor to run until LIM SW 1 is disconnected from J1-6.

In MANUAL mode, the adjust down button (▼) sets MOTOR 2 positive and allows the motor to run until LIM SW 2 is disconnected from J1-6.

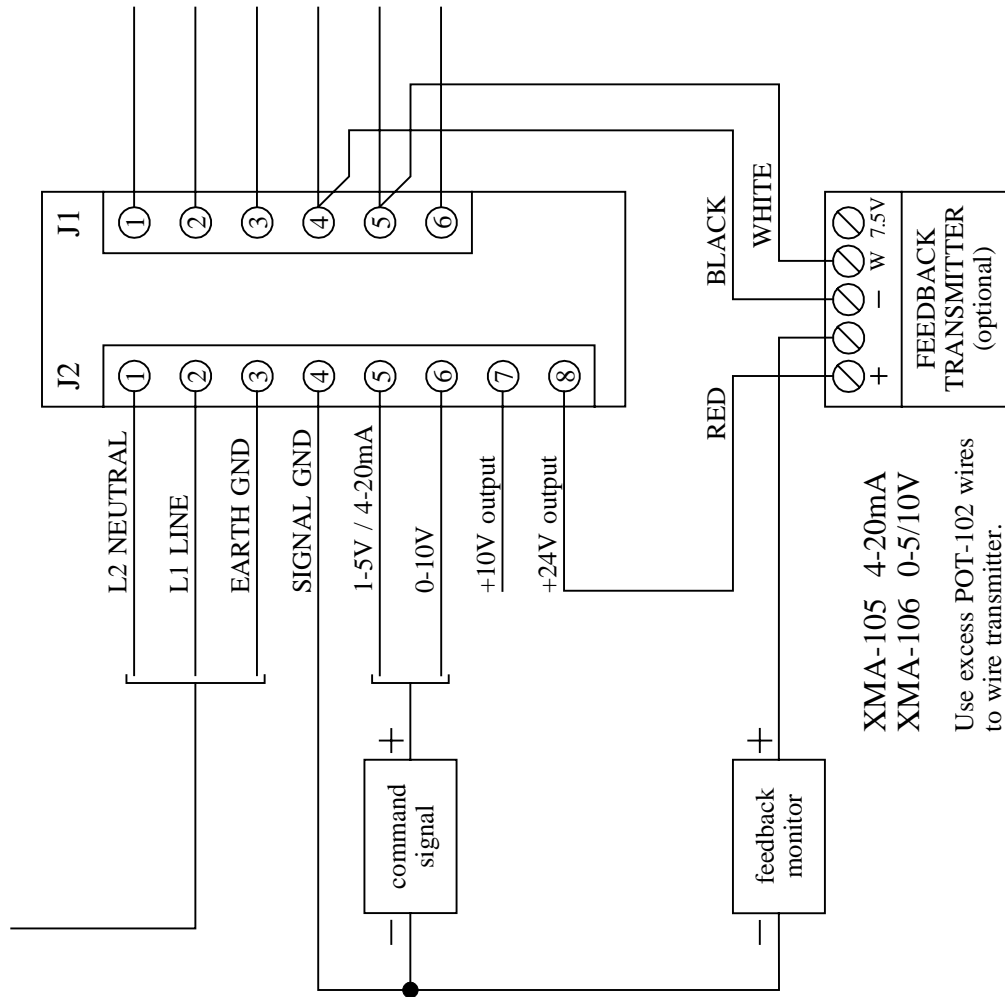
OTX-101 Isolated Transmitter Module (optional)  
 OTR-101 Isolated Transmitter/Relay Module (optional)

# AC ANALOG / LOG RATE POSITIONERS (standard)

## WIRING DIAGRAM

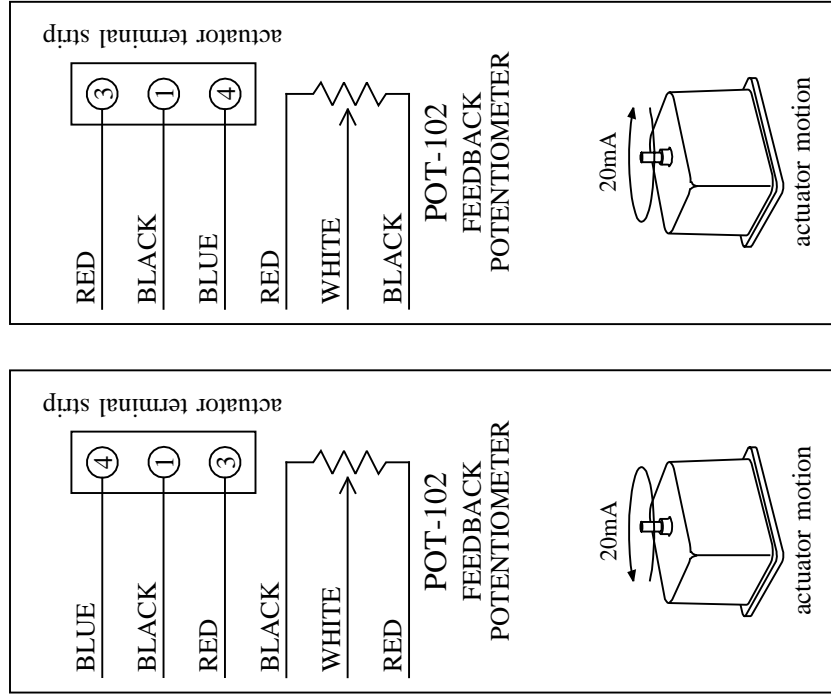
Conbraco AE200, 400, 600, 800, 1000 Actuators

- 117VAC AMC-100A / LRC-101A / LRC-101G
- 234VAC AMC-100C / LRC-101B / LRC-101H
- 24VAC AMC-101E / LRC-101C / LRC-101I



XMA-105 4-20mA  
XMA-106 0-5/10V

Use excess POT-102 wires to wire transmitter.

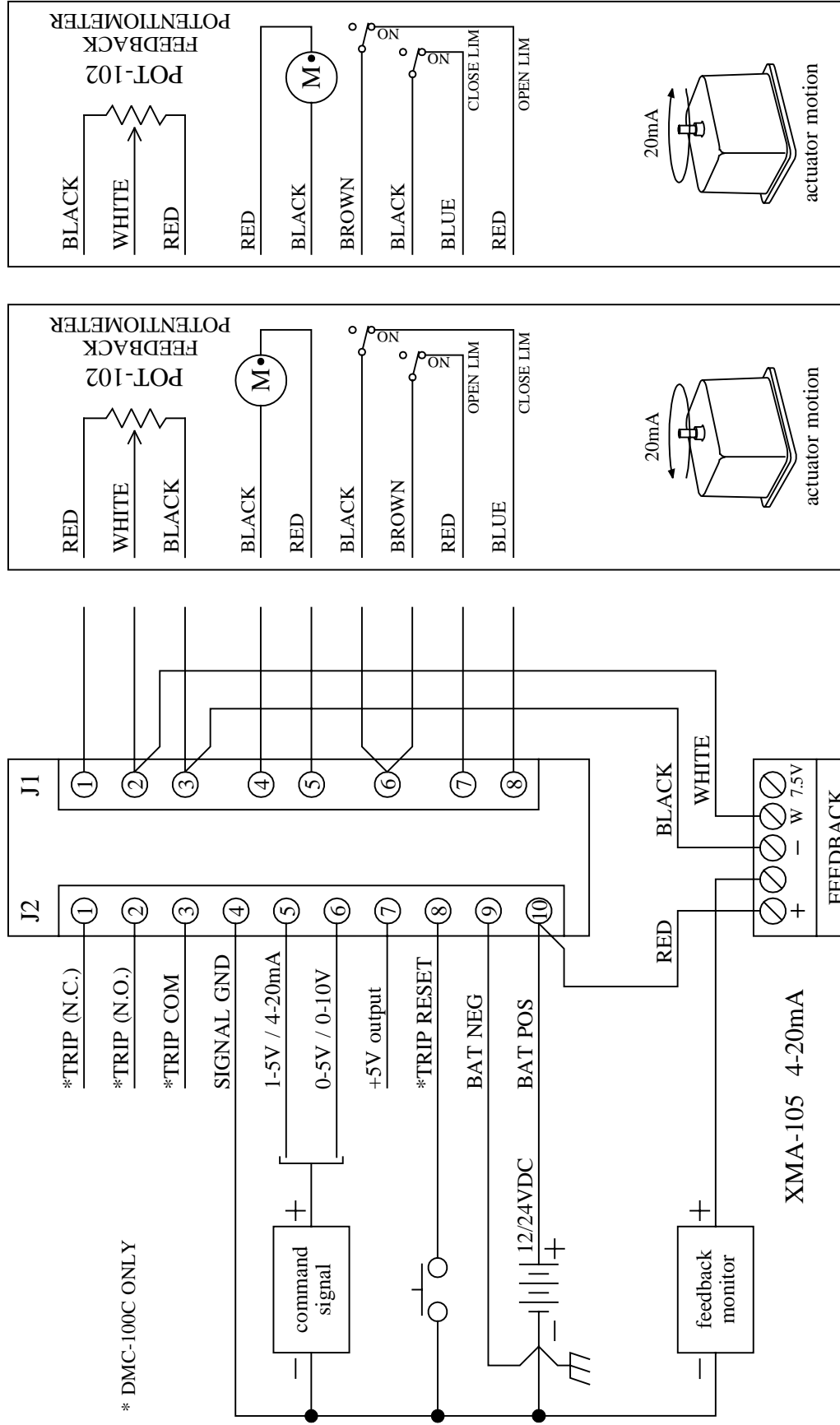


# DC ANALOG POSITIONERS

## WIRING DIAGRAM

Combraco AE200, 400, 600, 800, 1000 Actuators

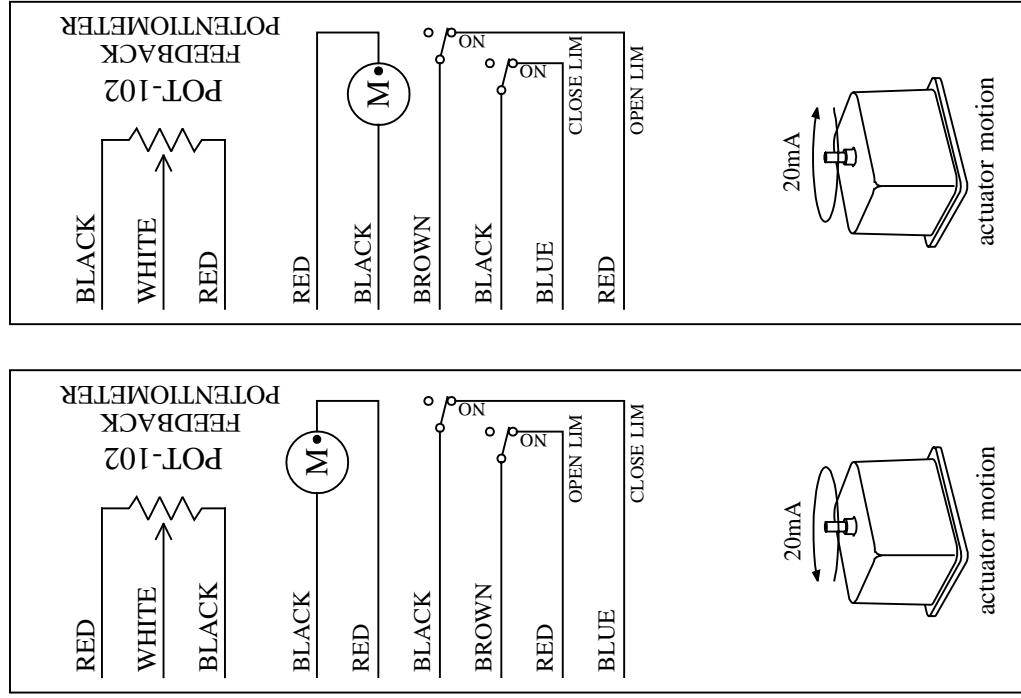
DMC-100A / DMC-100C



\* DMC-100C ONLY

XMA-105 4-20mA

Use excess POT-102 wires to wire transmitter.

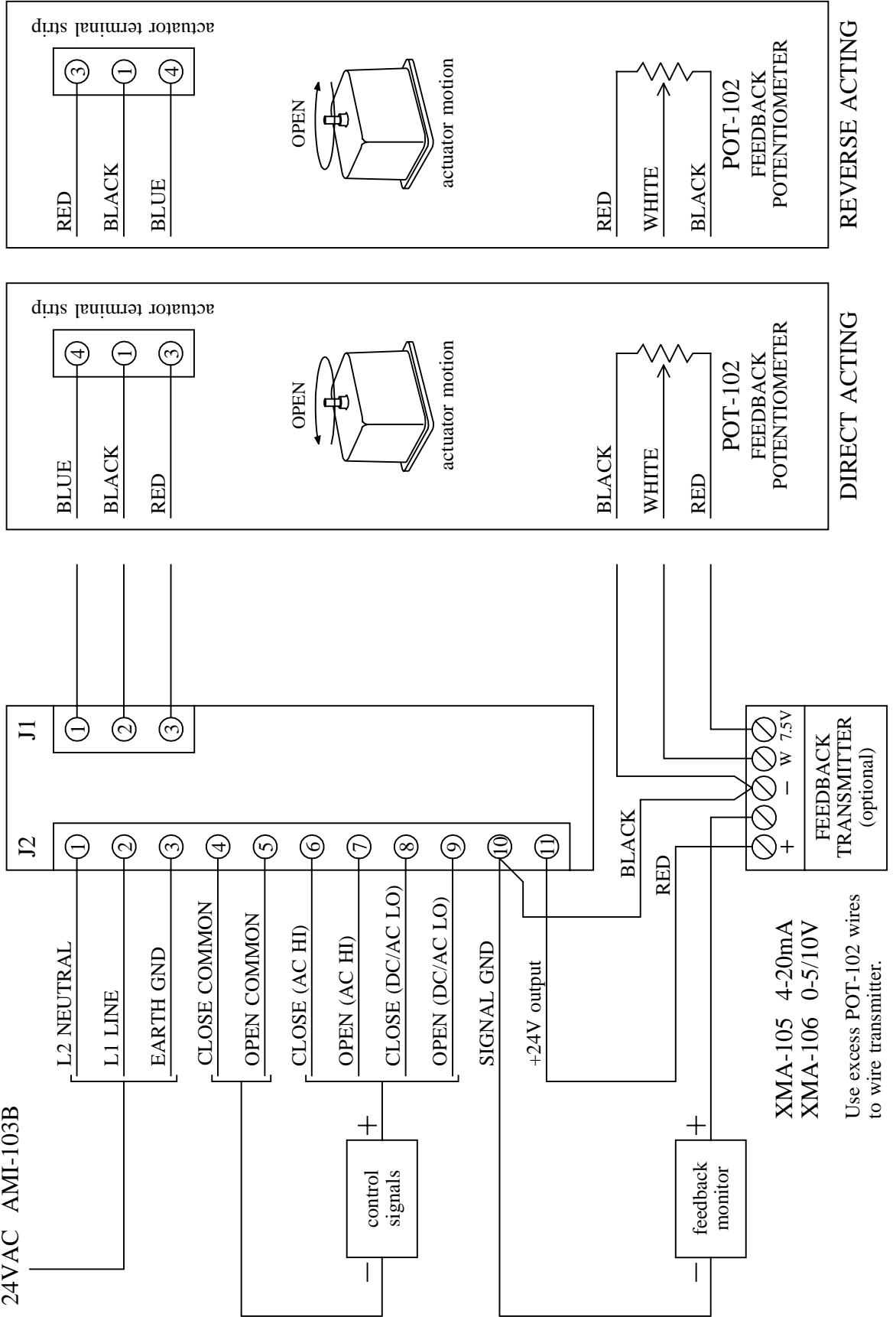


# AC ON/OFF CONTROLLERS

## WIRING DIAGRAM

Conbraco AE200, 400, 600, 800, 1000 Actuators

117VAC AMI-103  
 234VAC AMI-103A  
 24VAC AMI-103B



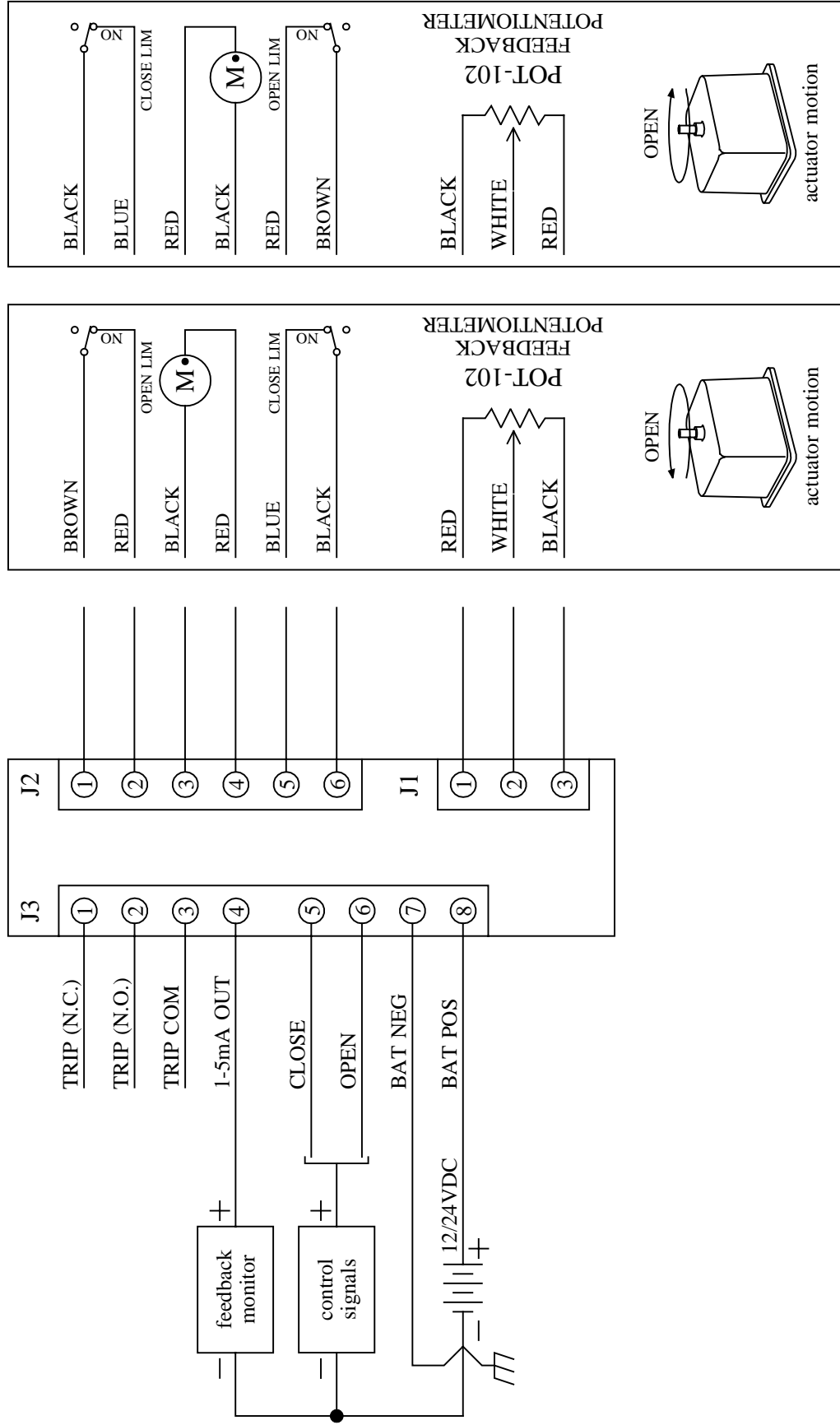
XMA-105 4-20mA  
 XMA-106 0-5/10V  
 Use excess POT-102 wires to wire transmitter.

# DC ON/OFF CONTROLLER

WIRING DIAGRAM

Conbraco AE200, 400, 600, 800, 1000 Actuators

RCM-101C



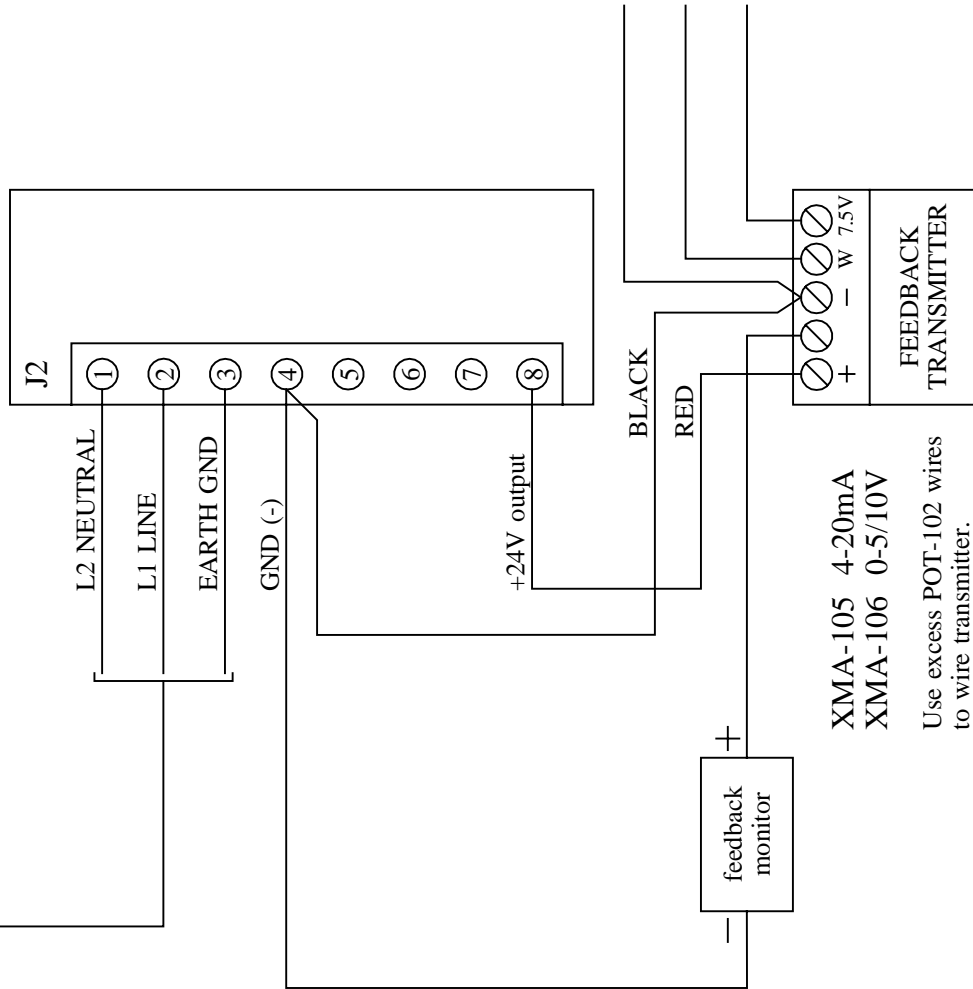


# FEEDBACK TRANSMITTERS (powered)

## WIRING DIAGRAM

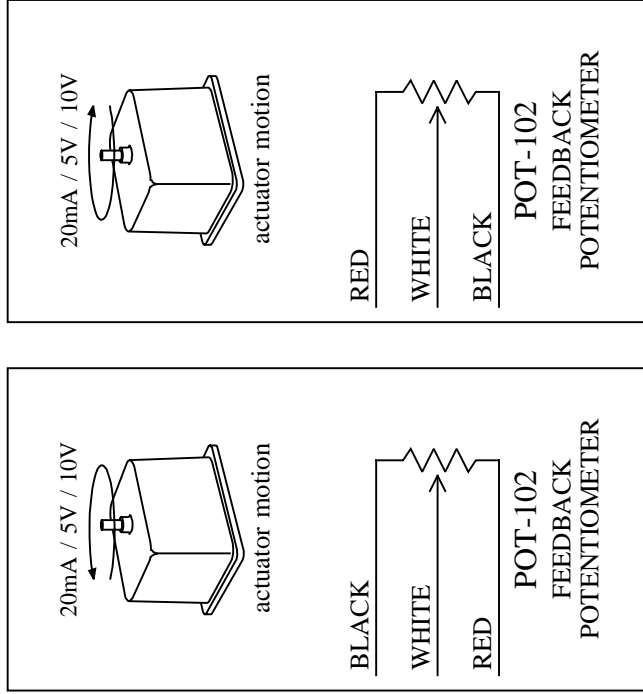
Conbraco AE200, 400, 600, 800, 1000 Actuators

117VAC PWR-102  
234VAC PWR-102A



XMA-105 4-20mA  
XMA-106 0-5/10V

Use excess POT-102 wires to wire transmitter.



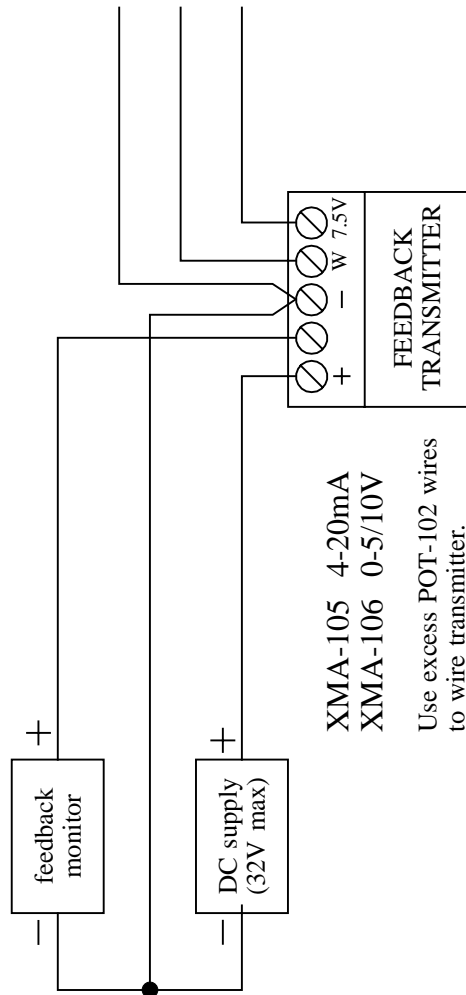
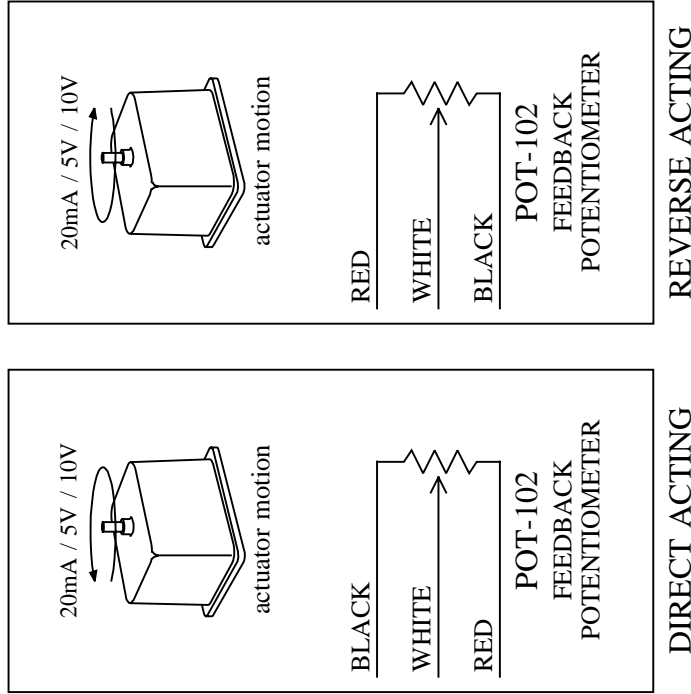
DIRECT ACTING

REVERSE ACTING

# FEEDBACK TRANSMITTERS (externally powered)

## WIRING DIAGRAM

Conbraco AE200, 400, 600, 800, 1000 Actuators



# FEEDBACK TRANSMITTER (loop powered)

WIRING DIAGRAM

Conbraco AE200, 400, 600, 800, 1000 Actuators

