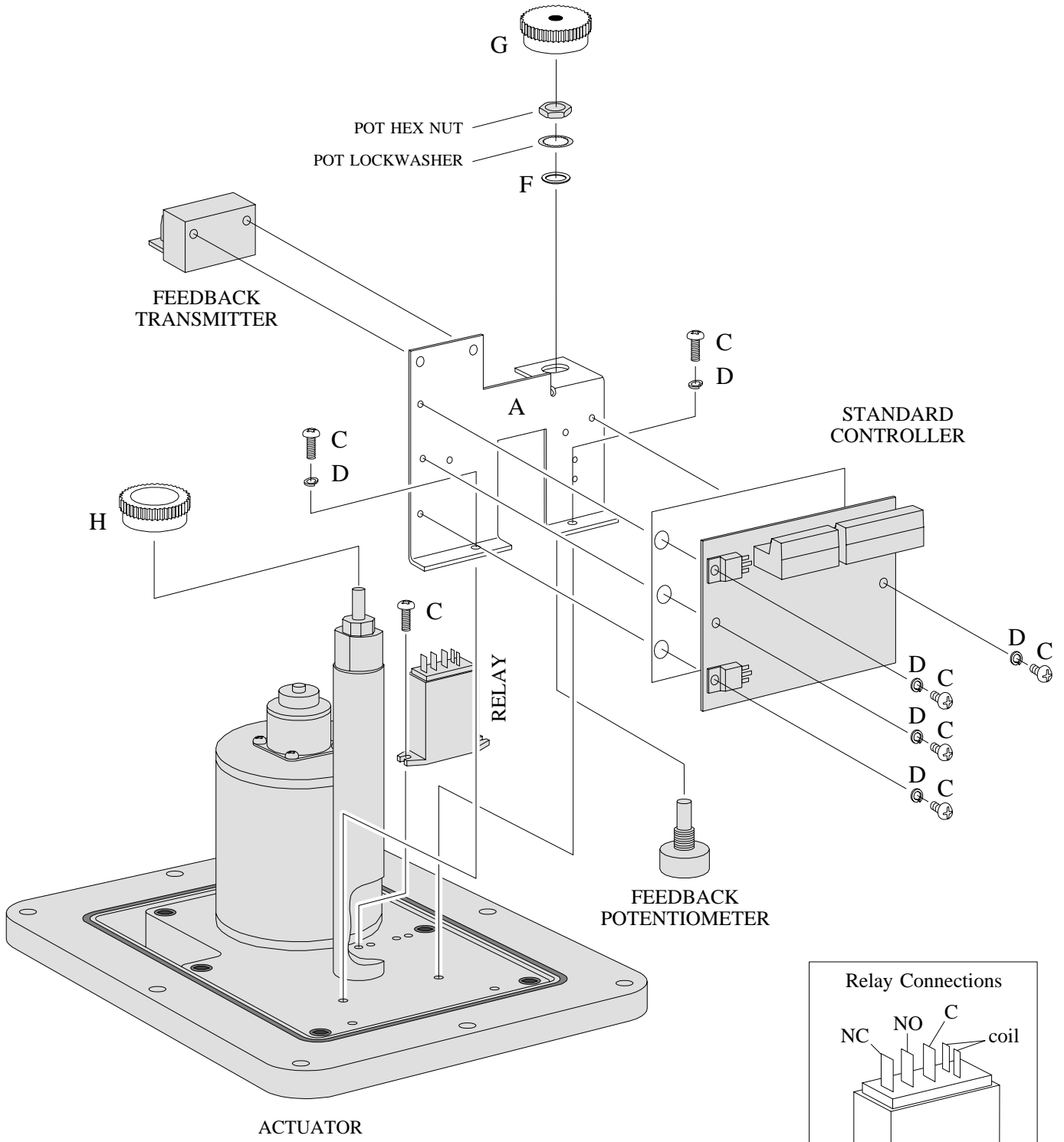


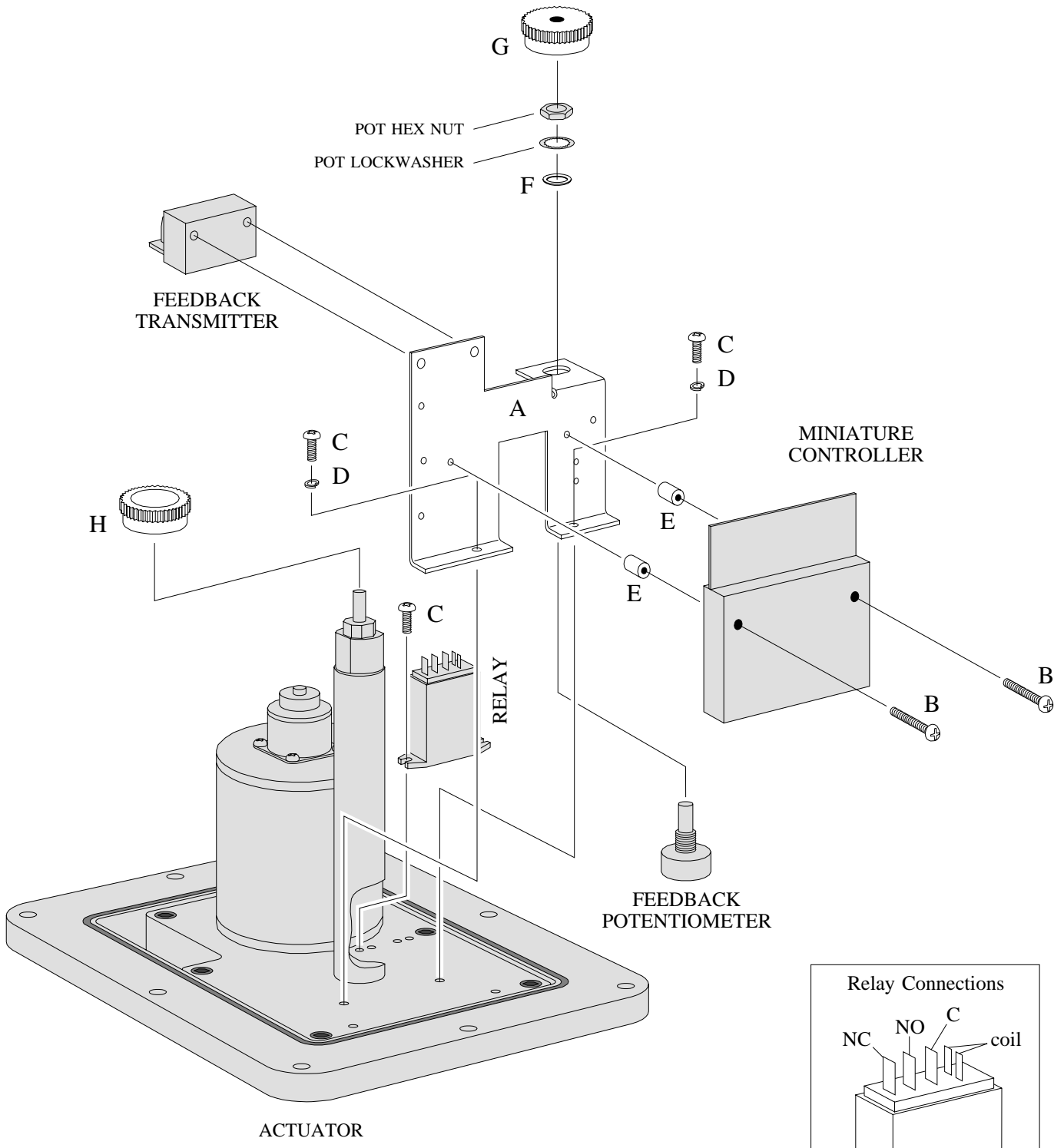
ASSEMBLY DIAGRAM

Bettis EM-SR5-10, -15, -30, -90 Actuators

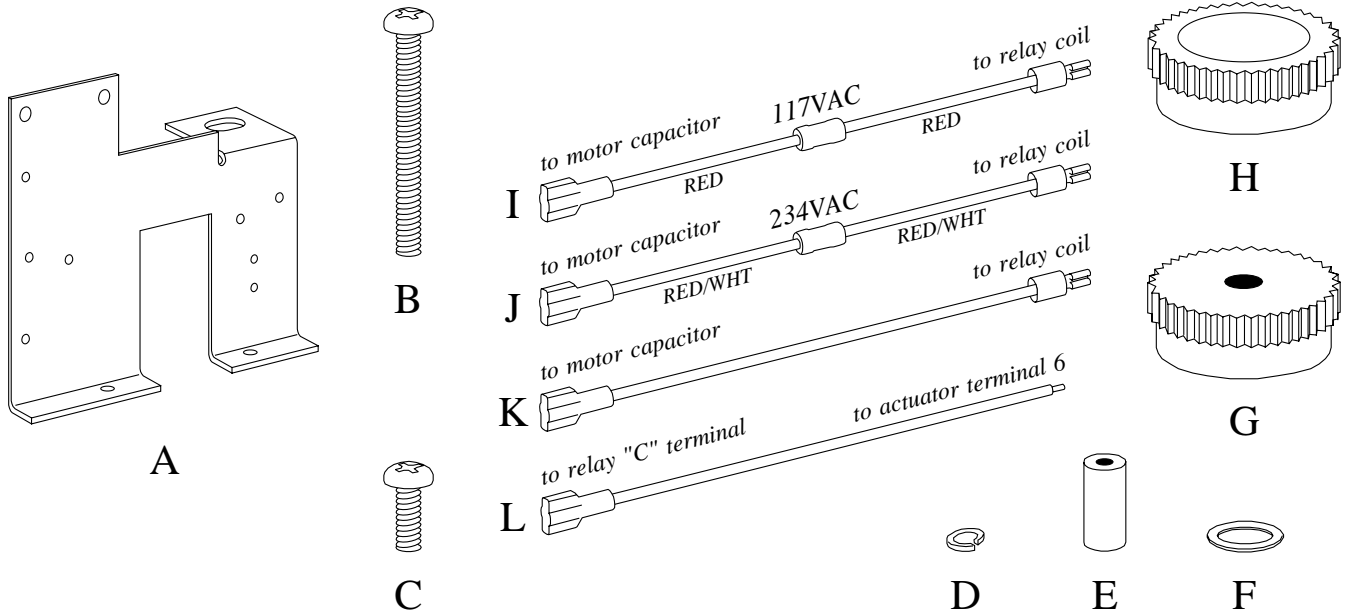


ASSEMBLY DIAGRAM

Bettis EM-SR5-10, -15, -30, -90 Actuators



KIT CONTENTS



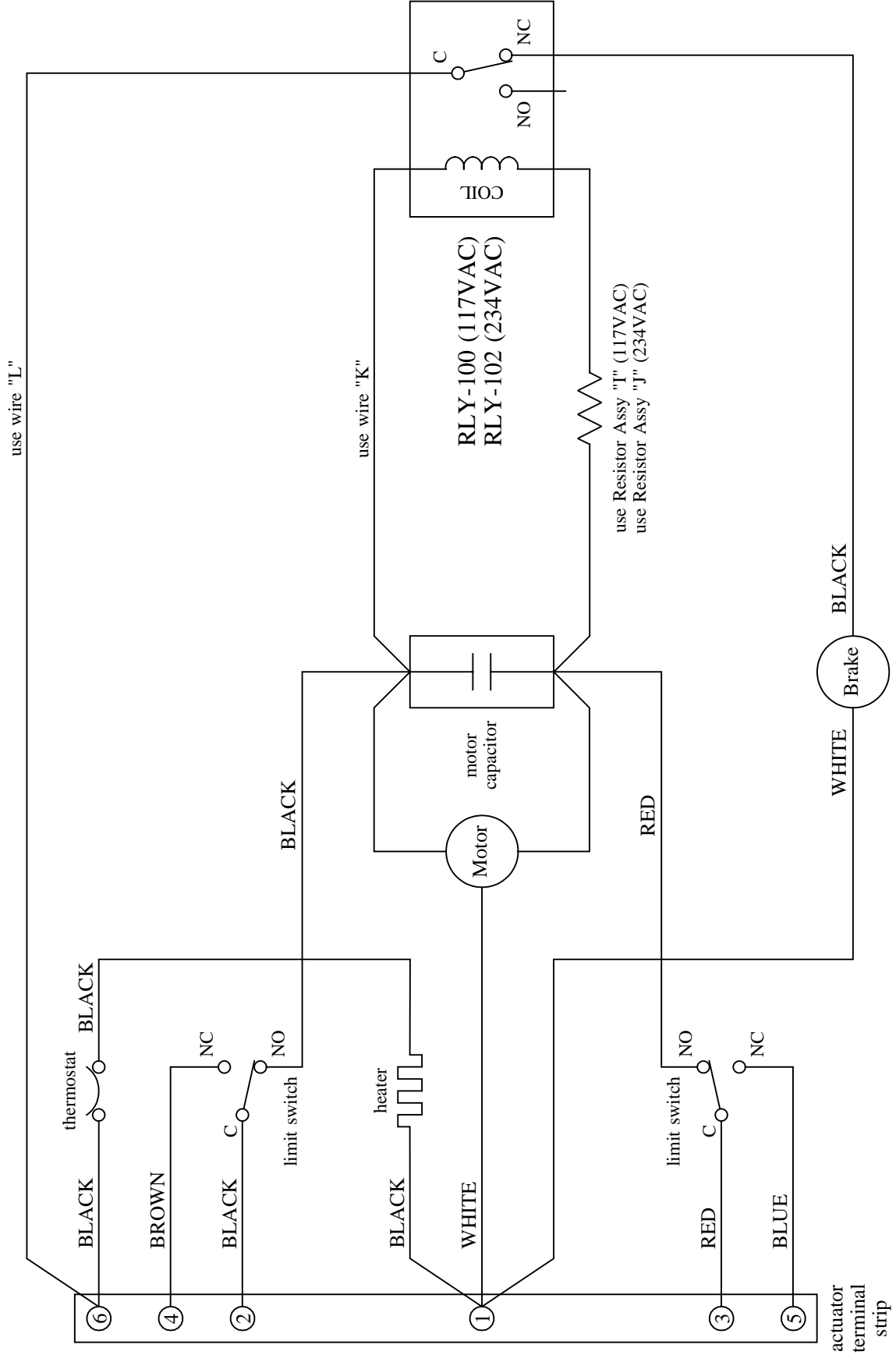
ITEM	QTY	DESCRIPTION
A	1	positioner bracket
B	2	#6-32 X 1.25" pan head screw
C	7	#6-32 X 0.375" pan head screw
D	6	#6 split ring lockwasher
E	2	0.437" round spacer
F	1	potentiometer anti-slip washer
G	1	potentiometer gear
H	1	output shaft gear
I	1	3.3K ohm resistor assembly, red wires (117VAC motor)
J	1	6.8K ohm resistor assembly, red/white wires (234VAC motor)
K	1	7" black wire (spade terminals both ends)
L	1	7" black wire (spade terminal one end)
not shown	1	10" white wire
not shown	1	10" black wire
not shown	1	10" red wire
not shown	1	10" white/black wire
not shown	2	spade terminal extender (for motor capacitor terminals)
not shown	1	insulated spade terminal (for relay "NC" terminal)
not shown	3	6.3" nylon tie wrap

RELAY

WIRING DIAGRAM

Bettis EM-SR5-10, -15, -30, -90 Actuators

Note: Rewire actuator as shown below prior to installing a controller.

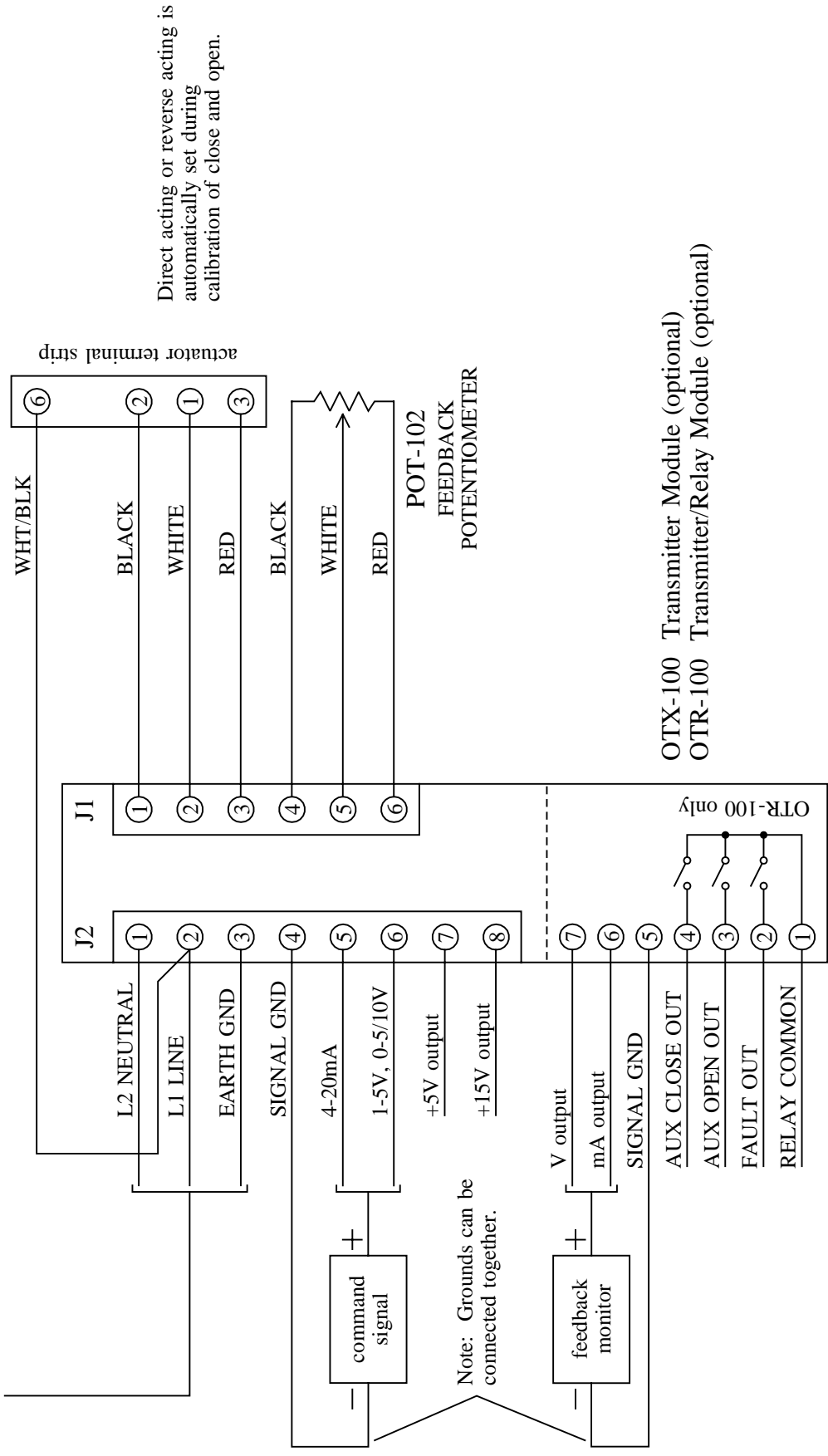


AC DIGITAL POSITIONERS

WIRING DIAGRAM

Bettis EM-SR5-10, -15, -30, -90 Actuators

117VAC DHC-100
234VAC DHC-100A



Direct acting or reverse acting is automatically set during calibration of close and open.

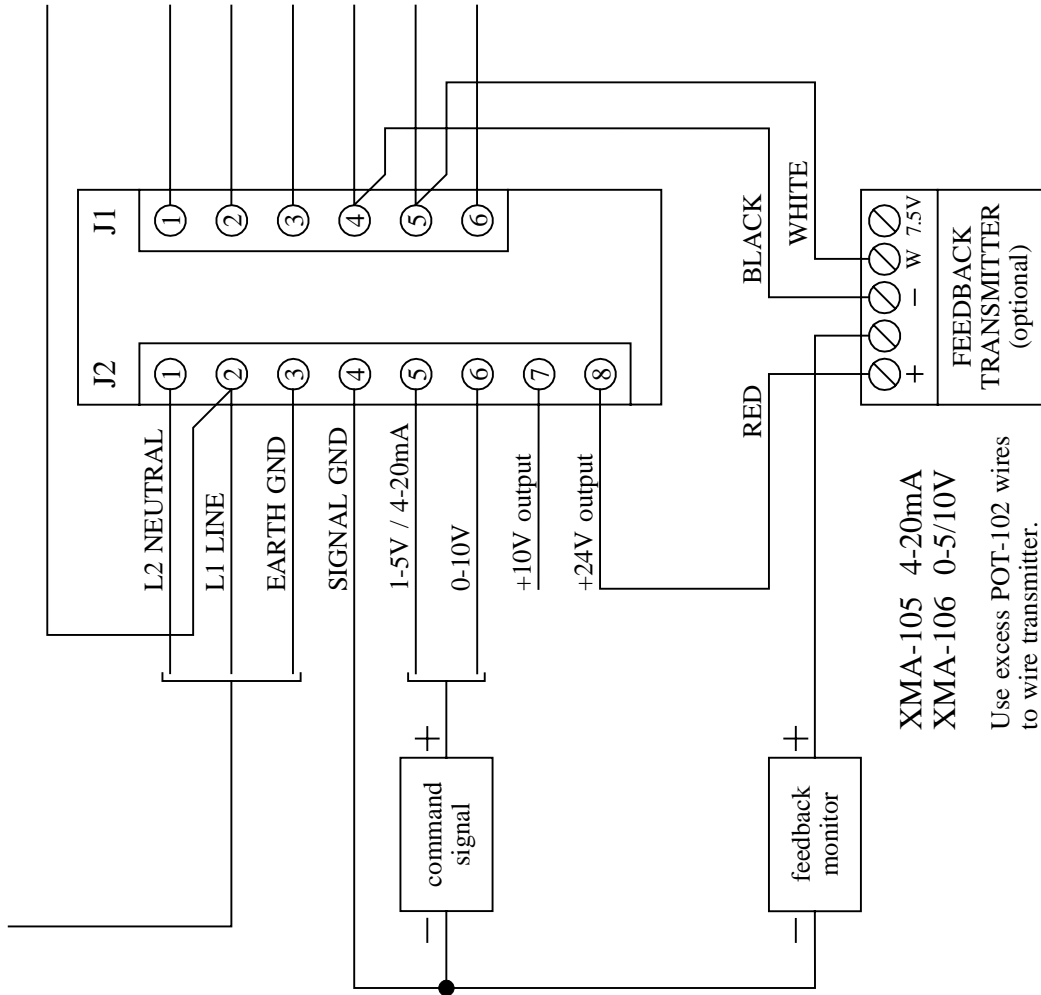
OTX-100 Transmitter Module (optional)
OTR-100 Transmitter/Relay Module (optional)

AC ANALOG / LOG RATE POSITIONERS (standard)

WIRING DIAGRAM

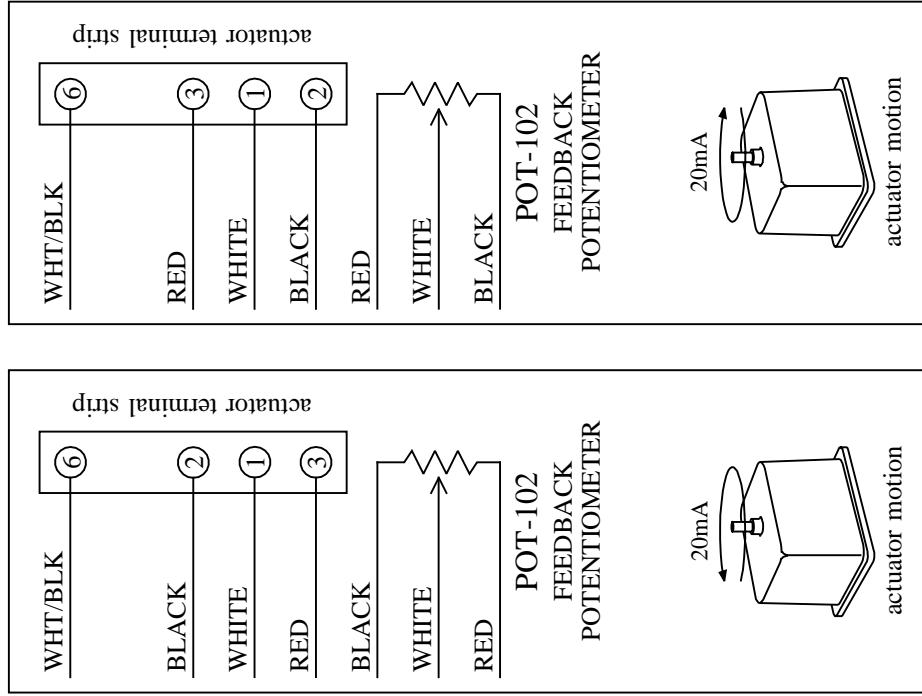
Bettis EM-SR5-10, -15, -30, -90 Actuators

117VAC AMC-100A / LRC-101A / LRC-101G
 234VAC AMC-100C / LRC-101B / LRC-101H



XMA-105 4-20mA
 XMA-106 0-5/10V

Use excess POT-102 wires to wire transmitter.



REVERSE ACTING

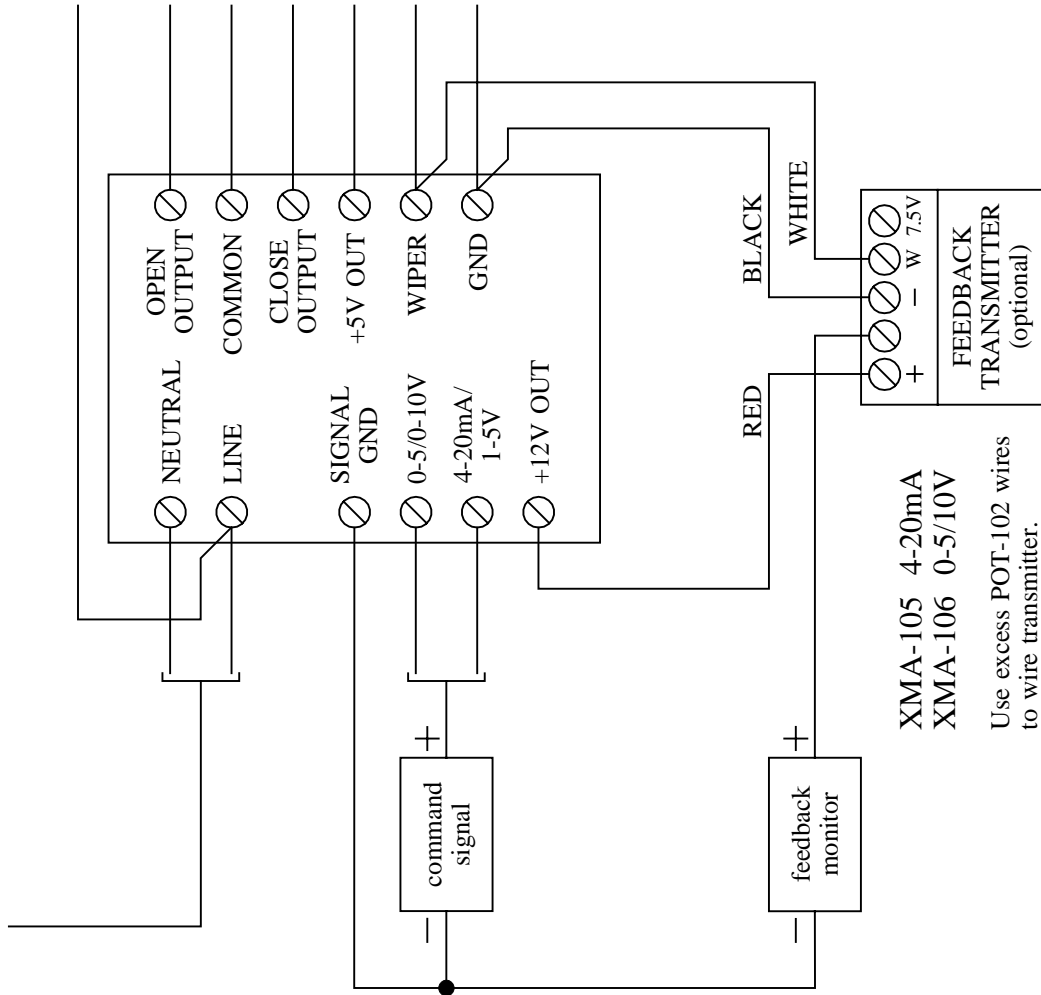
DIRECT ACTING

AC ANALOG POSITIONERS (miniature)

WIRING DIAGRAM

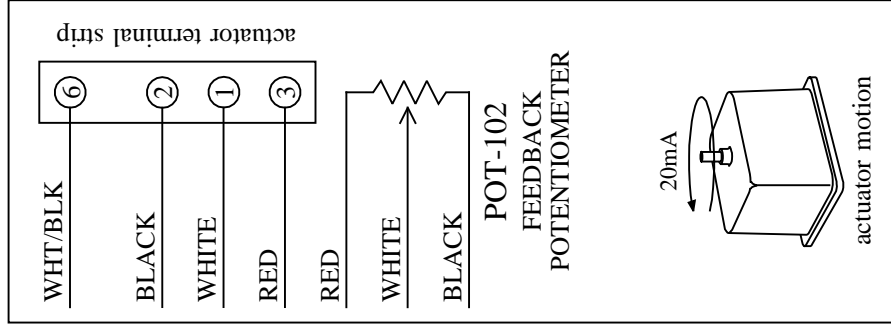
Bettis EM-SR5-10, -15, -30, -90 Actuators

117VAC AMC-103
234VAC AMC-103A

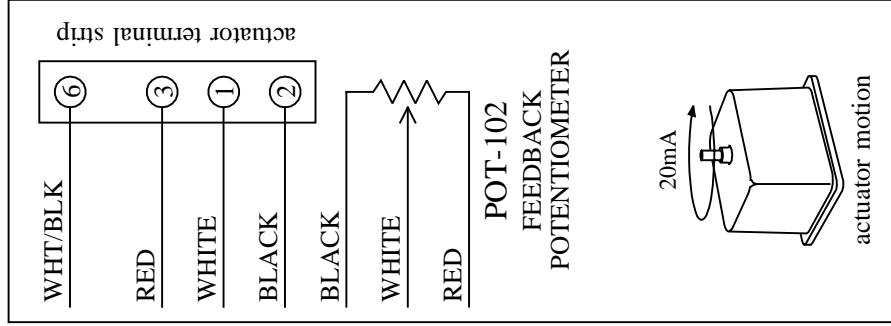


XMA-105 4-20mA
XMA-106 0-5/10V

Use excess POT-102 wires to wire transmitter.



DIRECT ACTING



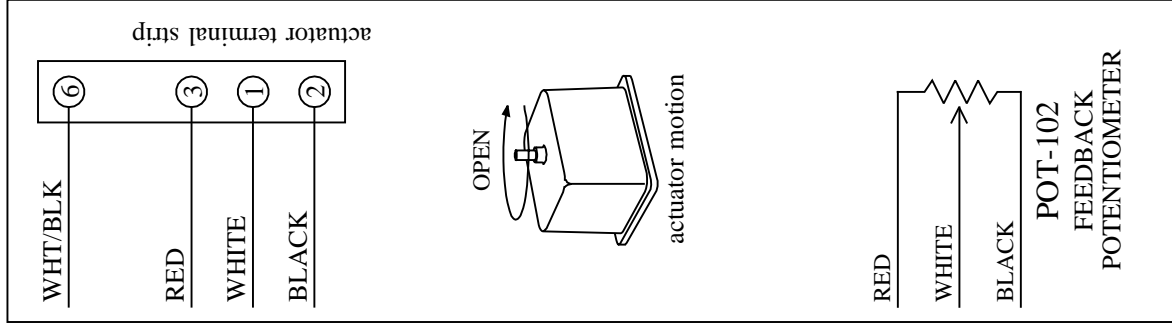
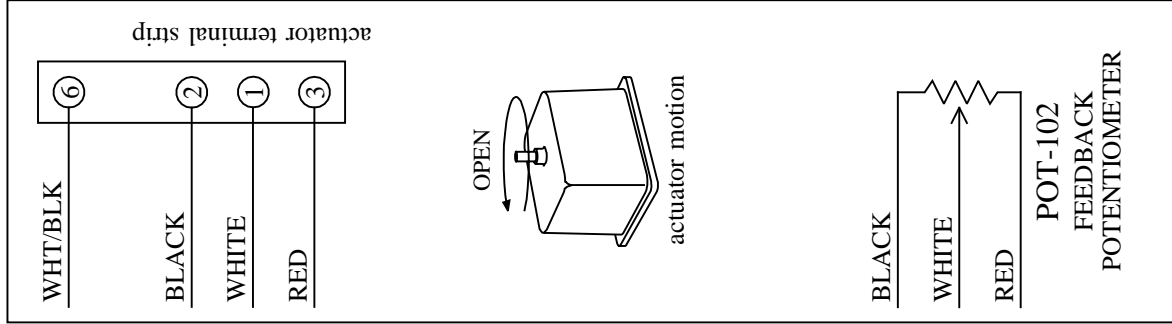
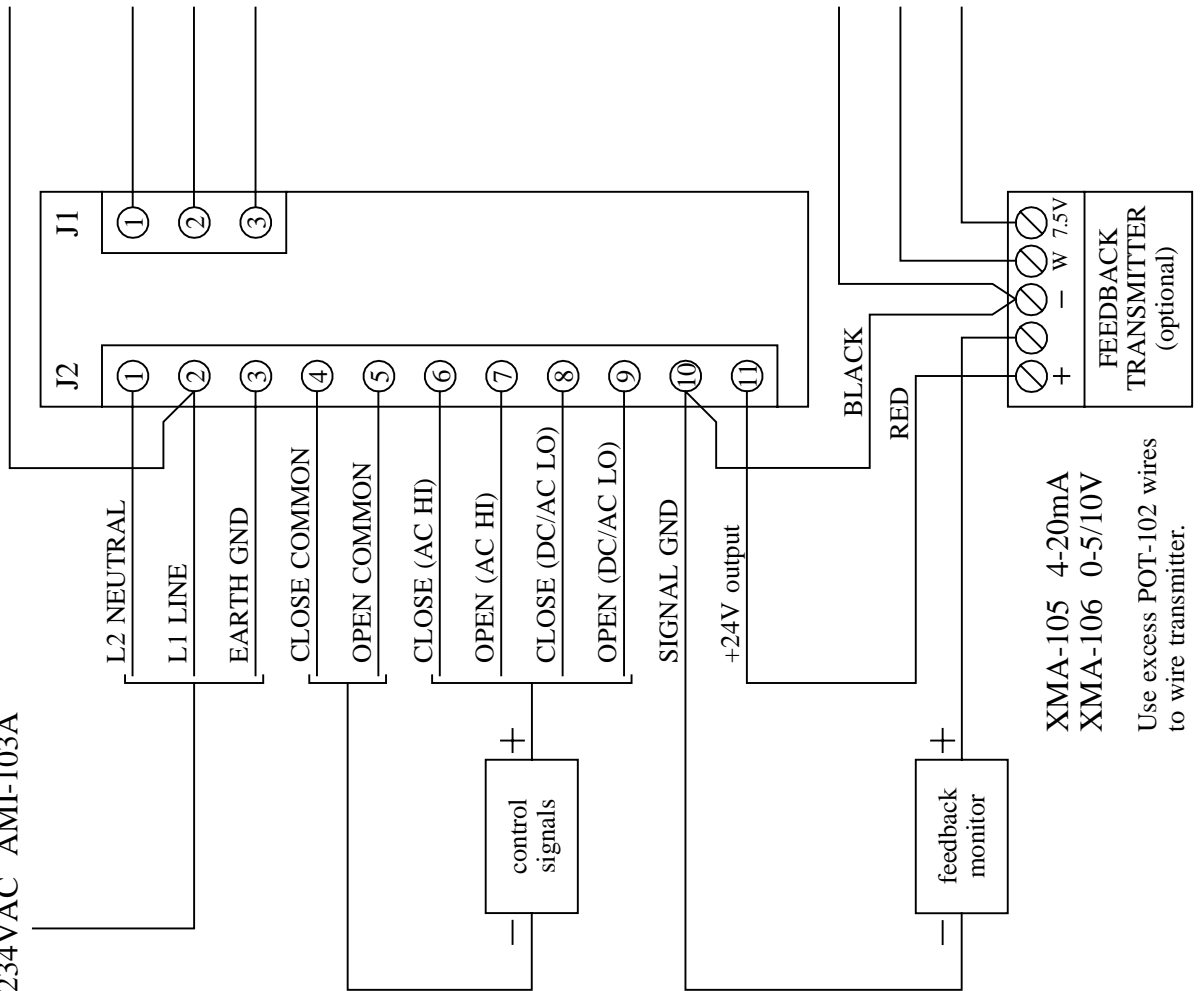
REVERSE ACTING

AC ON/OFF CONTROLLERS

WIRING DIAGRAM

Bettis EM-SR5-10, -15, -30, -90 Actuators

117VAC AMI-103
234VAC AMI-103A



XMA-105 4-20mA
XMA-106 0-5/10V

Use excess POT-102 wires to wire transmitter.