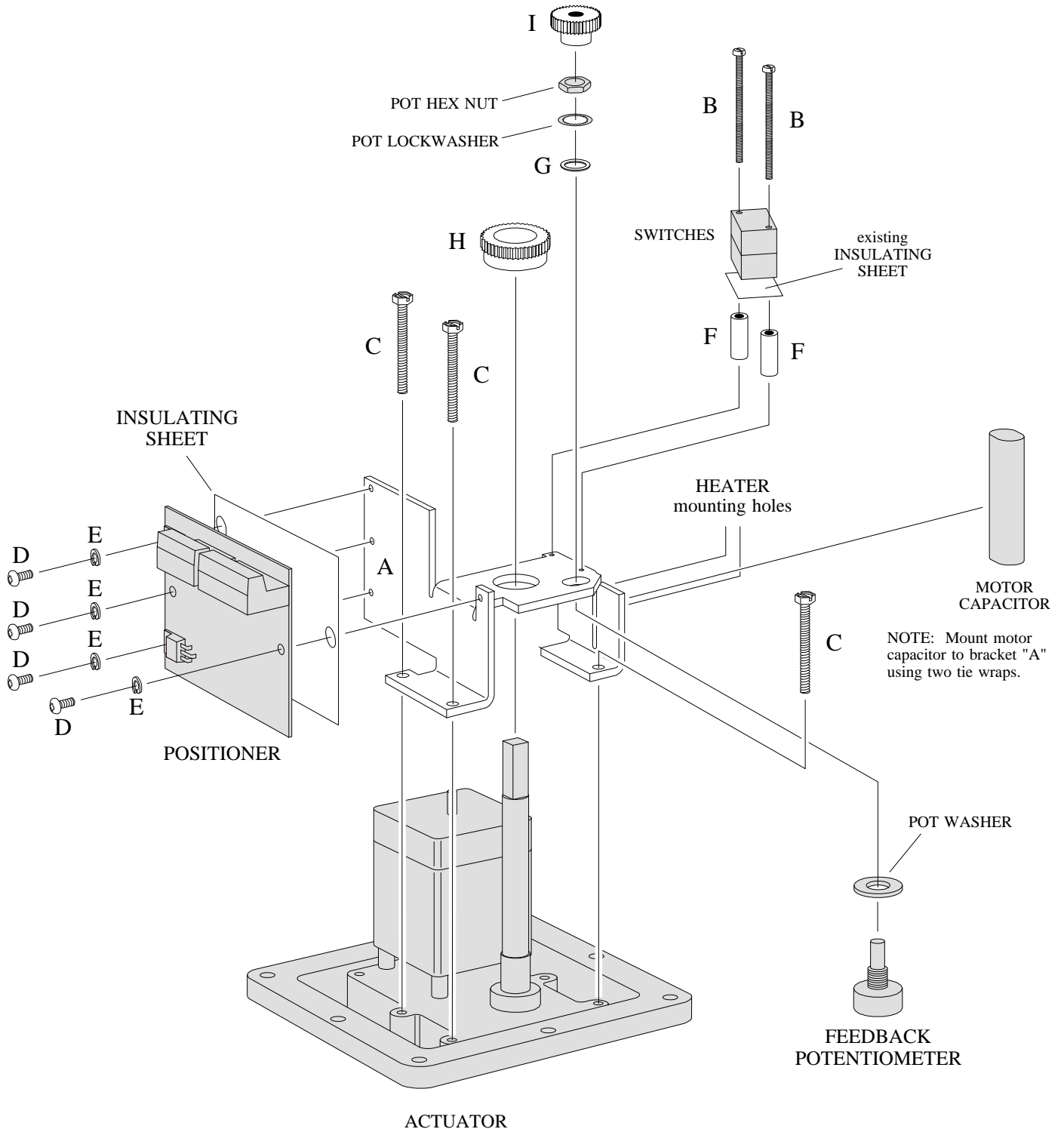
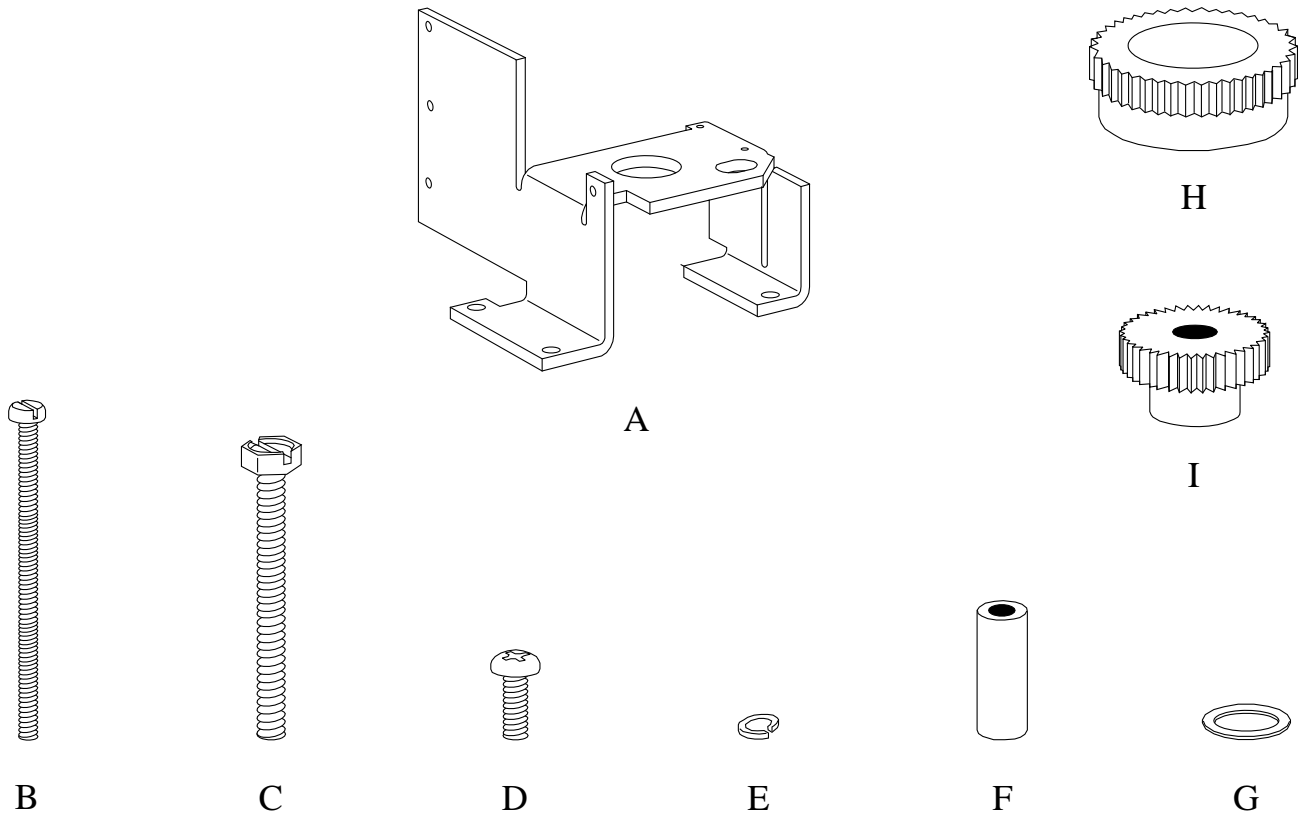


ASSEMBLY DIAGRAM

Asahi A94, B94 Actuators



KIT CONTENTS



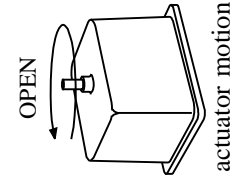
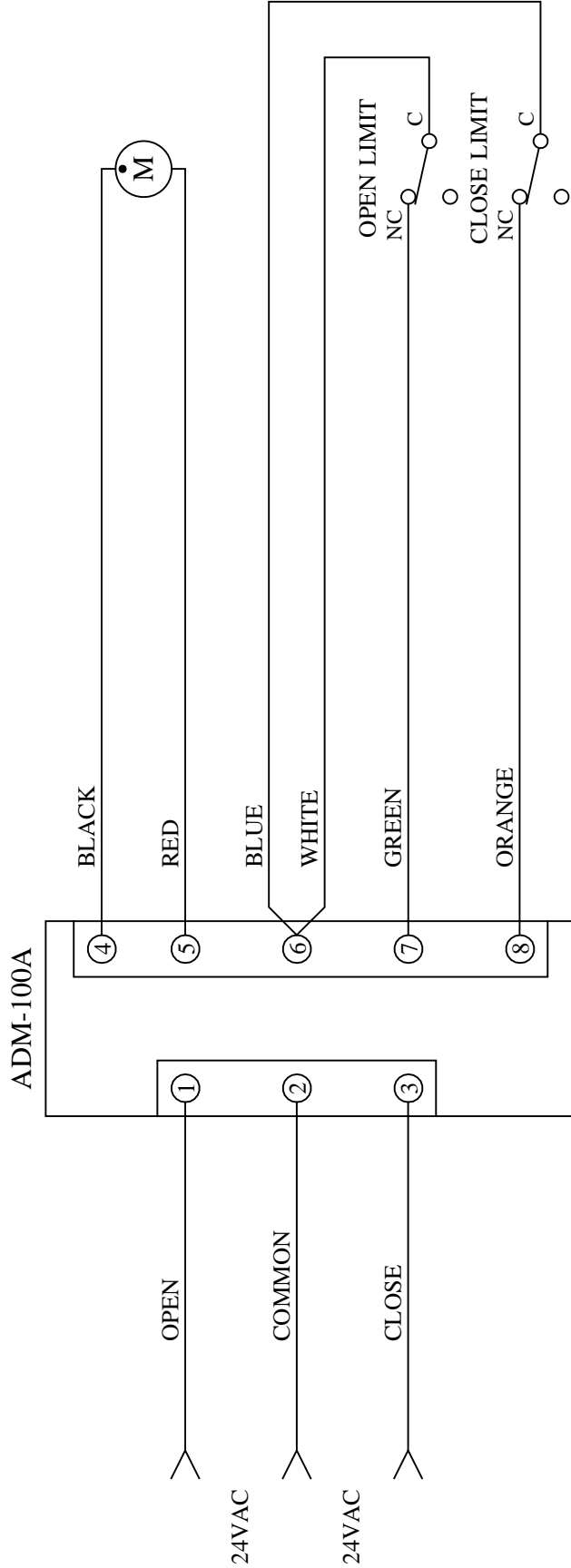
ITEM	QTY	DESCRIPTION
A	1	positioner bracket
B	2	#4-40 x 1.75" pan head screw
C	3	#10-32 x 1.5" hex head screw
D	4	#6-32 x 0.375" pan head screw
E	4	#6 split ring lockwasher
F	2	0.75" round spacer
G	1	potentiometer anti-slip washer
H	1	output shaft gear
I	1	potentiometer gear
not shown	1	12" green wire w/spade terminal
not shown	1	12" orange wire w/spade terminal
not shown	1	12" blue wire
not shown	1	12" white wire
not shown	2	12" black wire
not shown	4	6.3" nylon tie wrap

AC to DC MODULE

WIRING DIAGRAM

Asahi A94, B94 Actuators

The ADM-100A AC to DC Module allows a 24VDC actuator to be controlled like a 24VAC split-phase motor actuator.

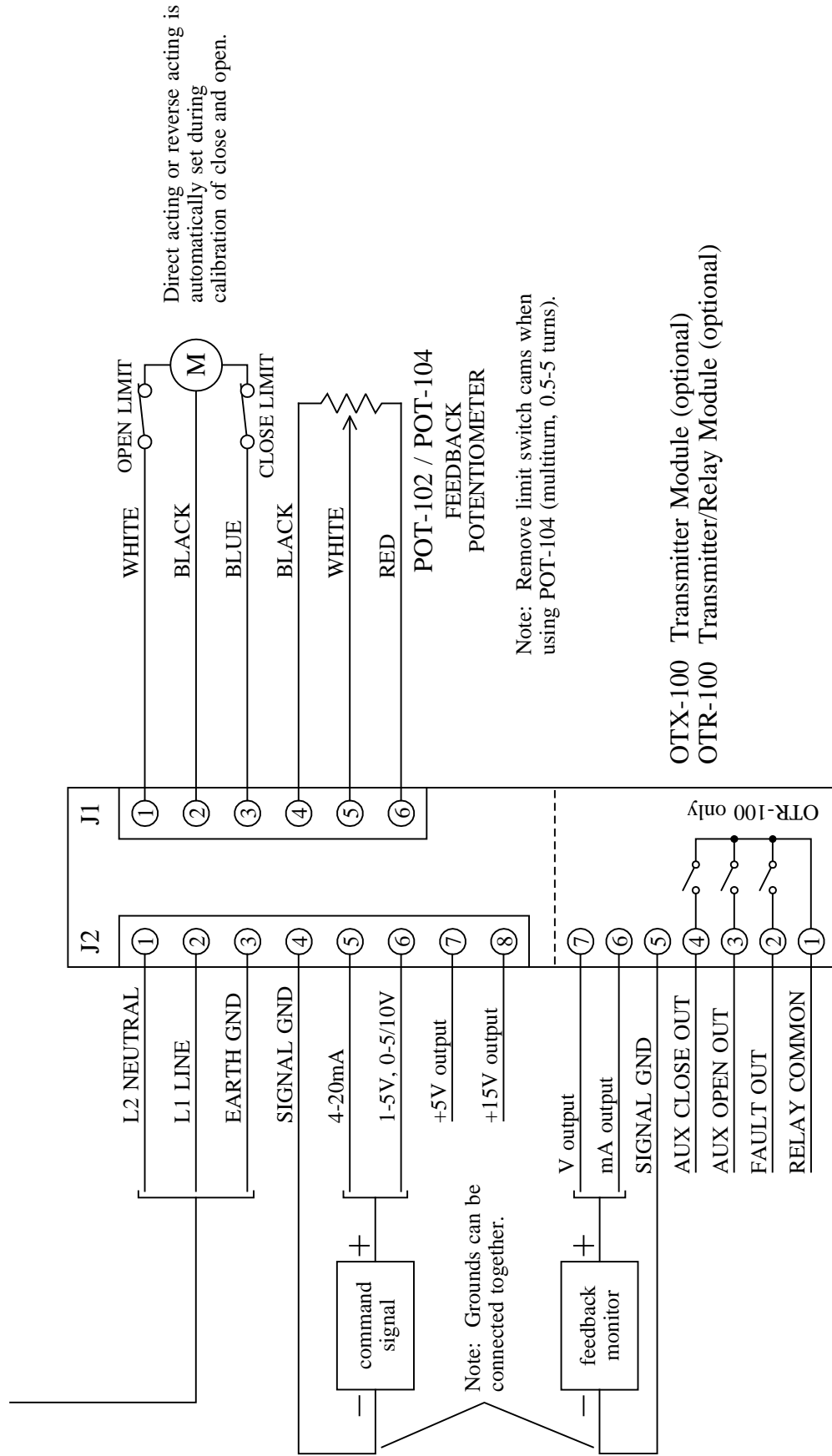


AC DIGITAL POSITIONERS

WIRING DIAGRAM

Asahi A94, B94 Actuators

117VAC DHC-100
234VAC DHC-100A



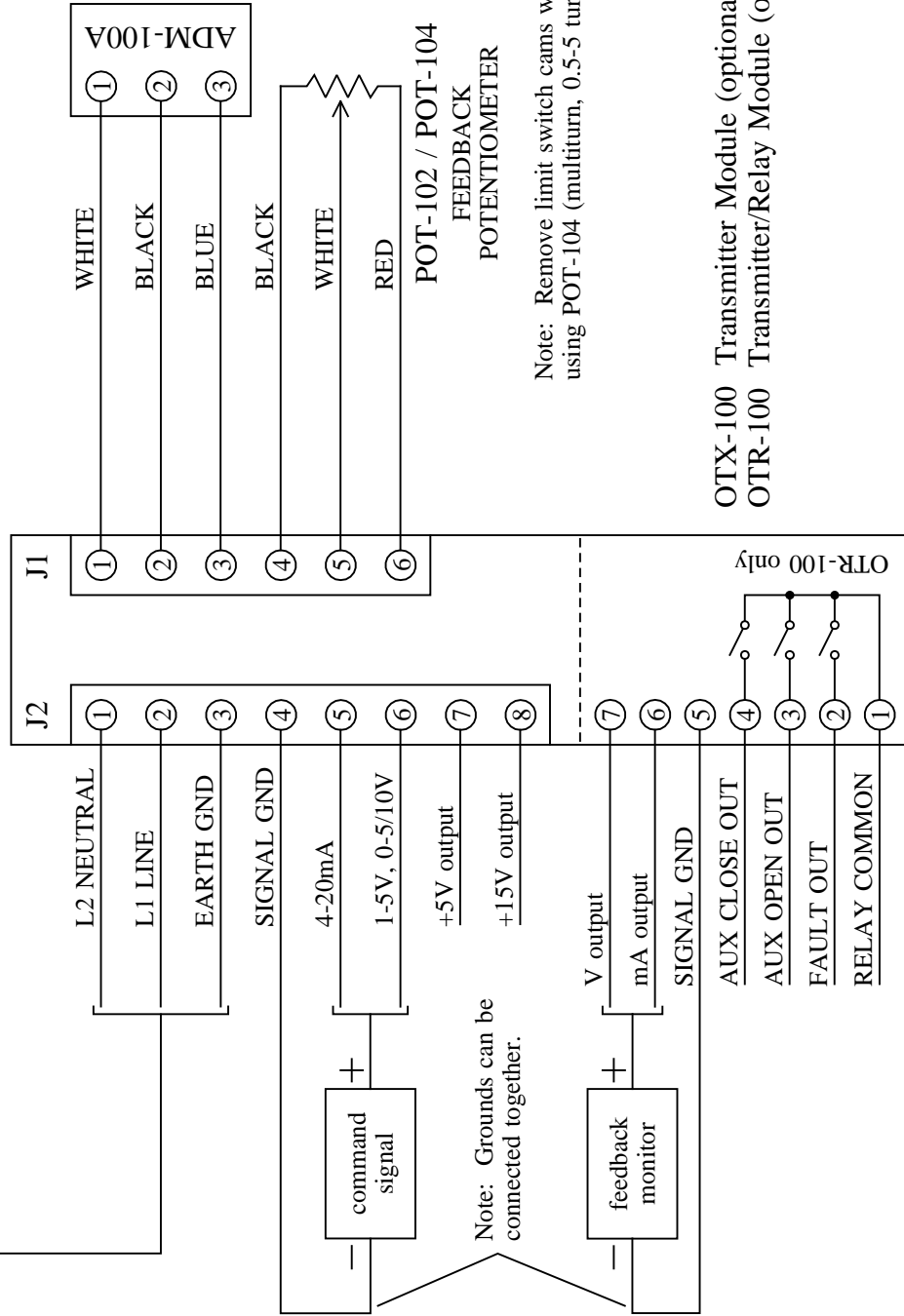
24VAC DIGITAL POSITIONER

WIRING DIAGRAM

Asahi A94, B94 Actuators

24VAC DHC-100B

NOTE: This application uses a 24VDC actuator with an ADM-100A AC to DC Module installed. See ADM-100A wiring.

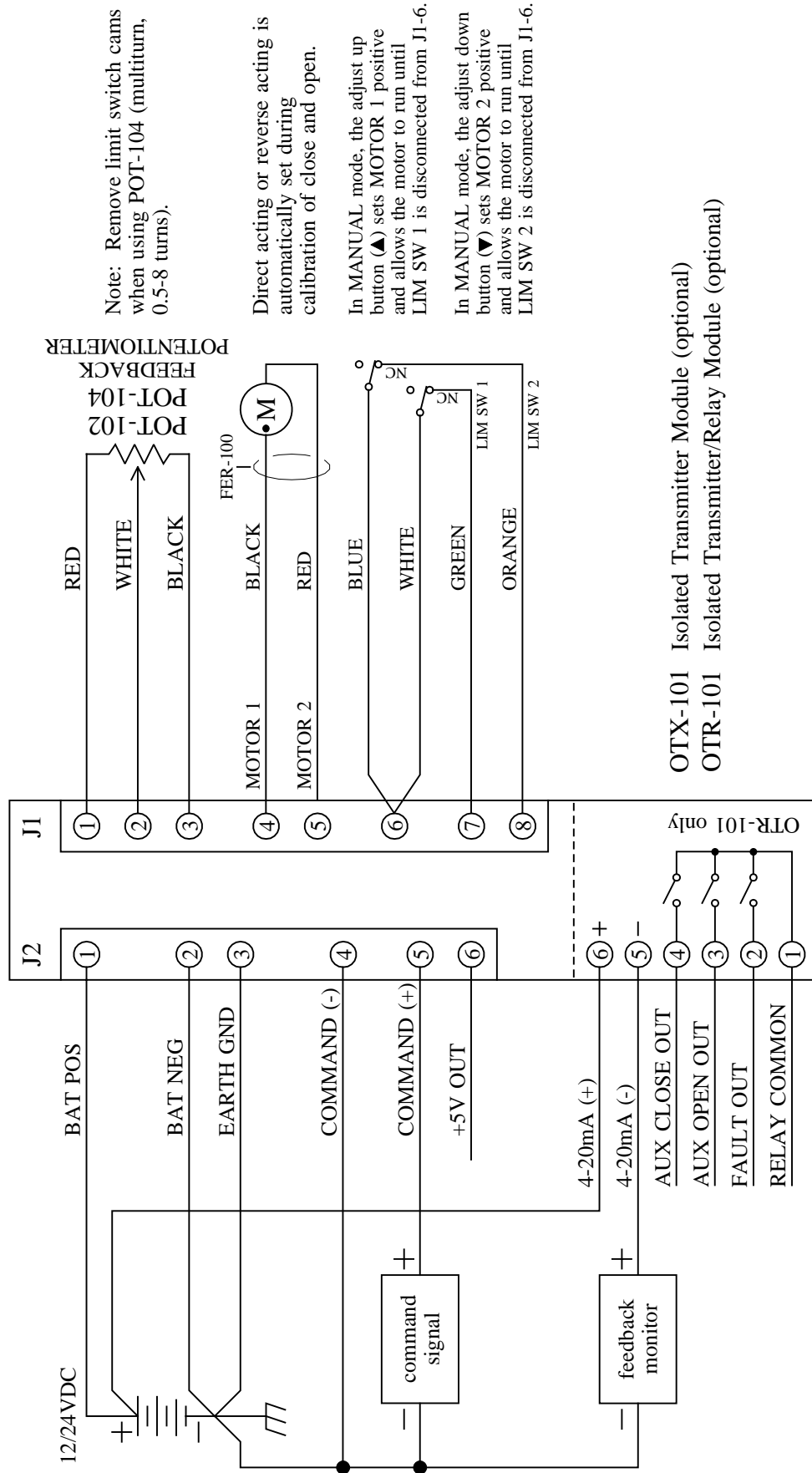


DC DIGITAL POSITIONER

WIRING DIAGRAM

Asahi A94, B94 Actuators

DHC-400



Note: Remove limit switch cams when using POT-104 (multiturn, 0.5-8 turns).

Direct acting or reverse acting is automatically set during calibration of close and open.

In MANUAL mode, the adjust up button (▲) sets MOTOR 1 positive and allows the motor to run until LIM SW 1 is disconnected from J1-6.

In MANUAL mode, the adjust down button (▼) sets MOTOR 2 positive and allows the motor to run until LIM SW 2 is disconnected from J1-6.

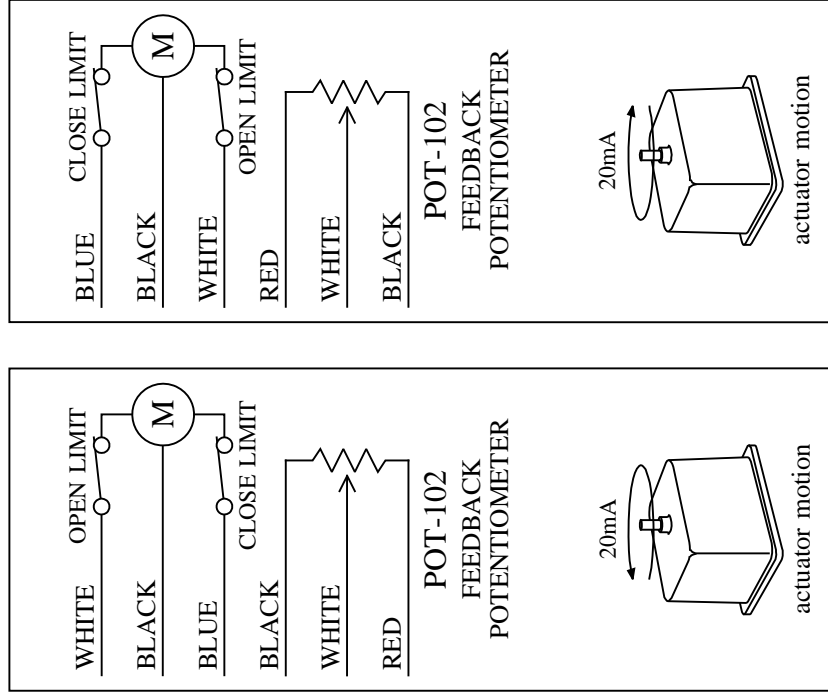
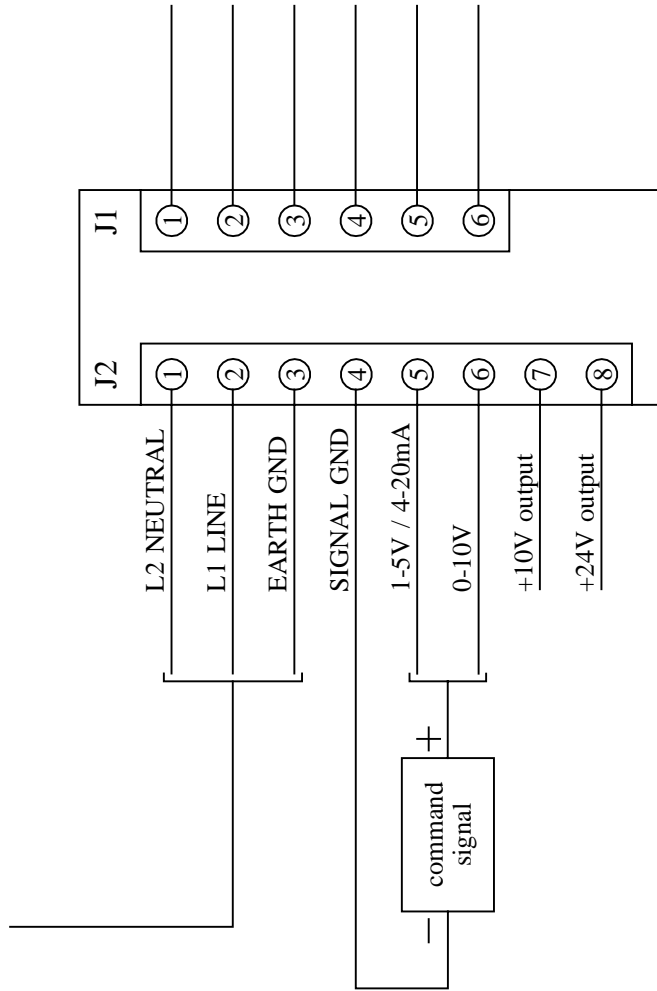
OTX-101 Isolated Transmitter Module (optional)
 OTR-101 Isolated Transmitter/Relay Module (optional)

AC ANALOG / LOG RATE POSITIONERS (standard)

WIRING DIAGRAM

Asahi A94, B94 Actuators

117VAC AMC-100A / LRC-101A / LRC-101G
 234VAC AMC-100C / LRC-101B / LRC-101H



DIRECT ACTING

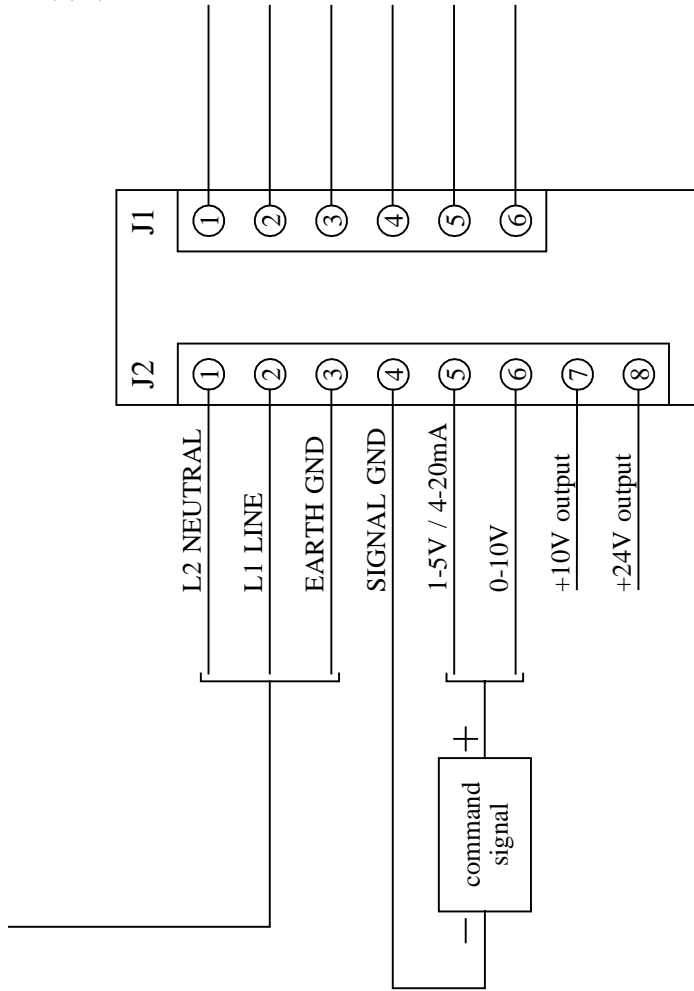
REVERSE ACTING

24VAC ANALOG / LOG RATE POSITIONERS (standard)

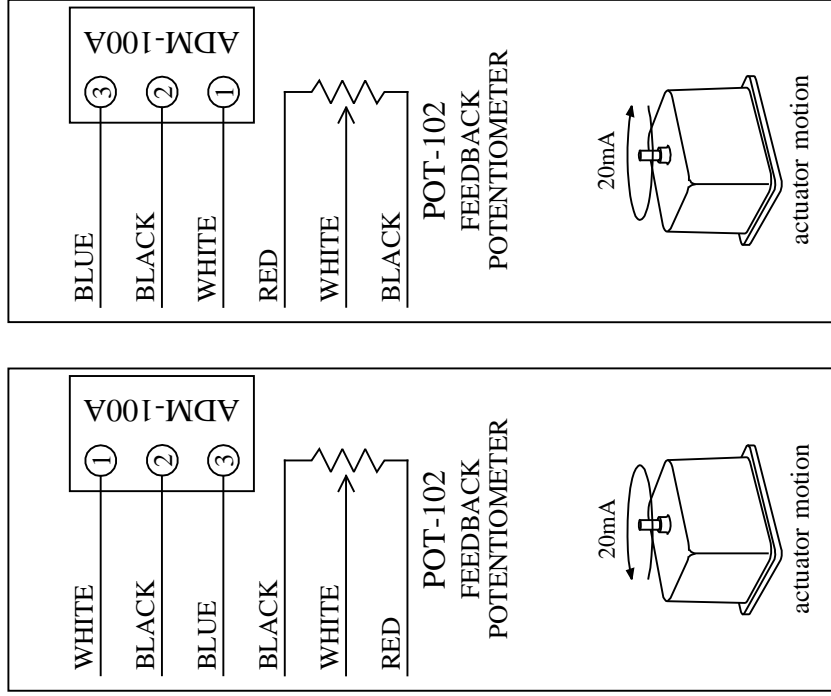
WIRING DIAGRAM

Asahi A94, B94 Actuators

24VAC AMC-101E / LRC-101C / LRC-101I



NOTE: This application uses a 24VDC actuator with an ADM-100A AC to DC Module installed. See ADM-100A wiring.



DIRECT ACTING

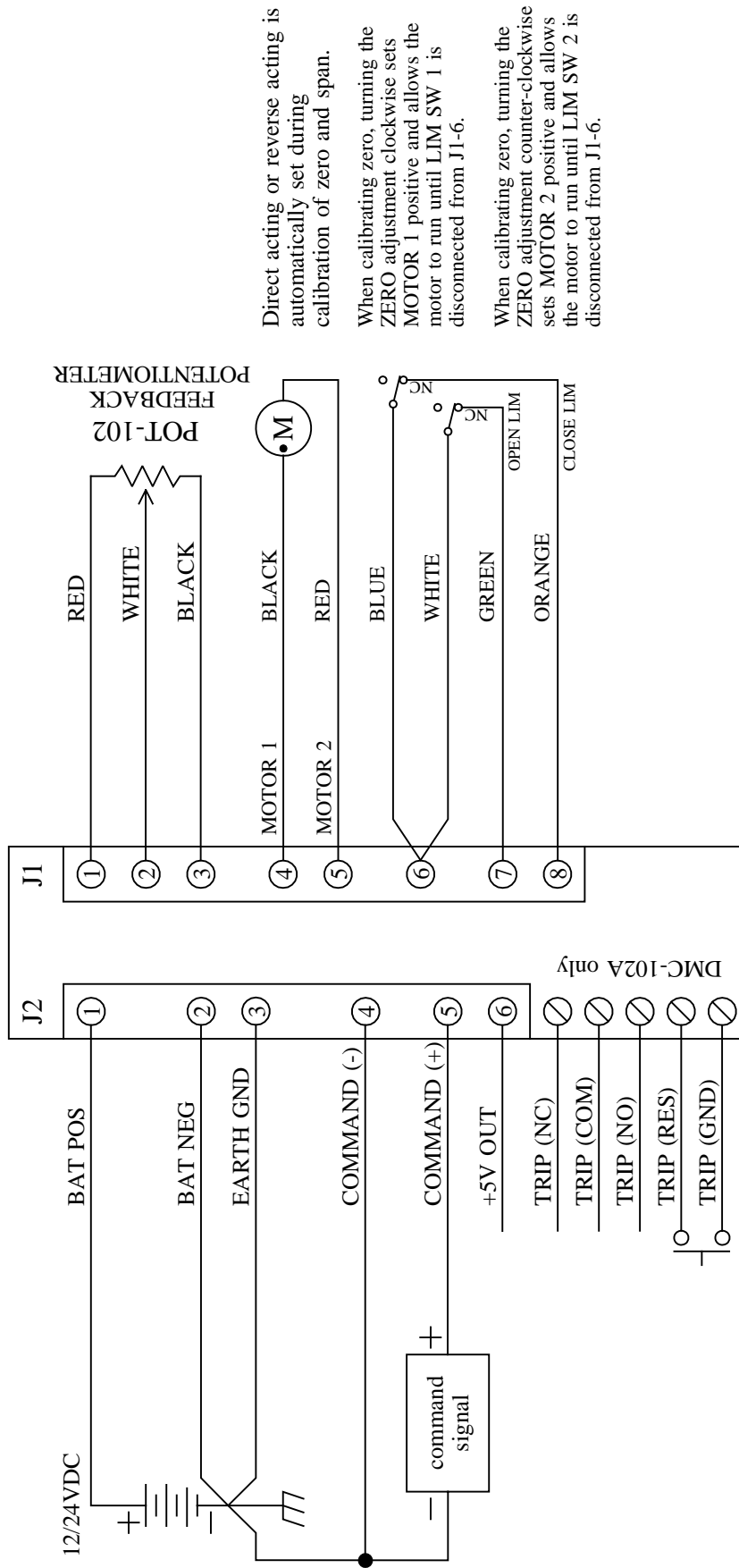
REVERSE ACTING

DC ANALOG POSITIONERS

WIRING DIAGRAM

Asahi A94, B94 Actuators

DMC-102 / DMC-102A



Direct acting or reverse acting is automatically set during calibration of zero and span.

When calibrating zero, turning the ZERO adjustment clockwise sets MOTOR 1 positive and allows the motor to run until LIM SW 1 is disconnected from J1-6.

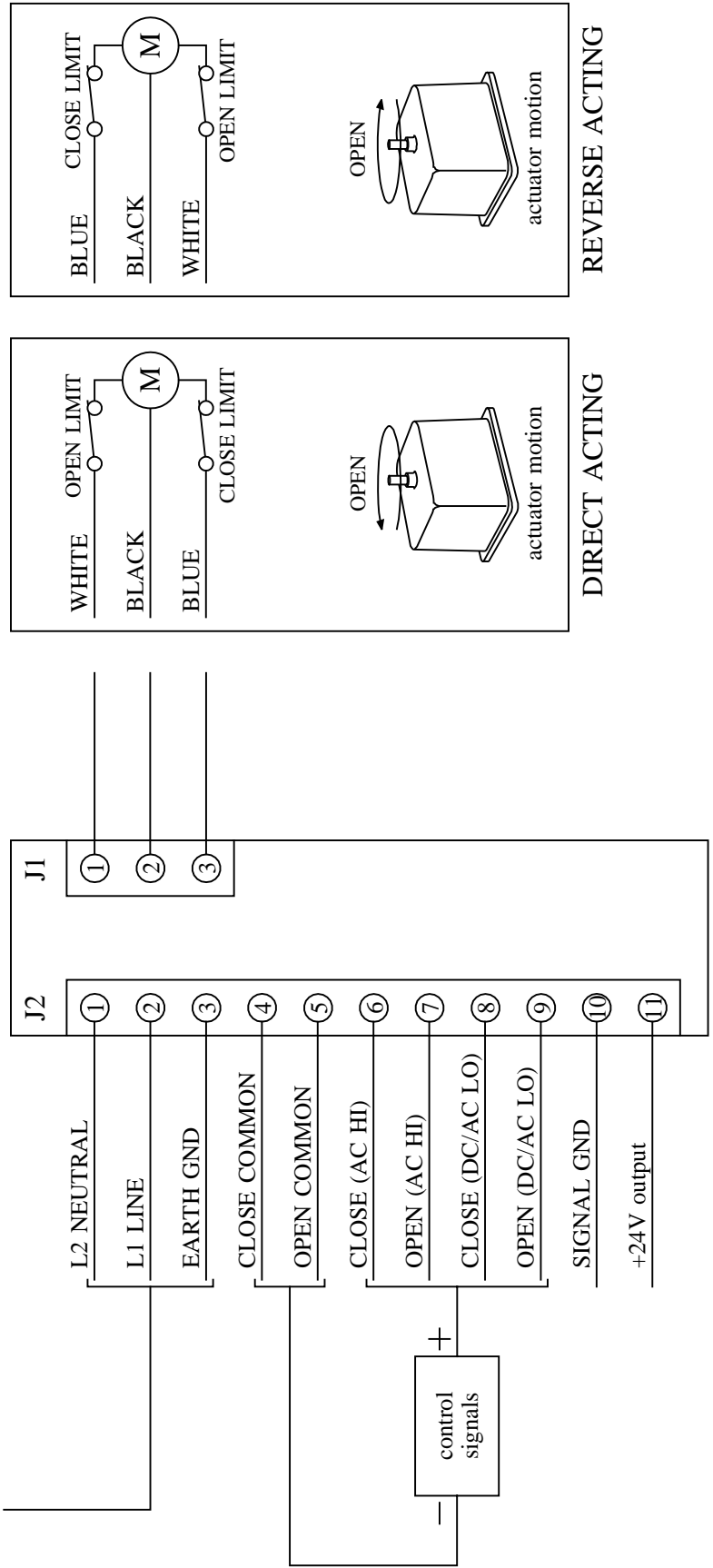
When calibrating zero, turning the ZERO adjustment counter-clockwise sets MOTOR 2 positive and allows the motor to run until LIM SW 2 is disconnected from J1-6.

AC ON/OFF CONTROLLERS

WIRING DIAGRAM

Asahi A94, B94 Actuators

117VAC AMI-103
234VAC AMI-103A



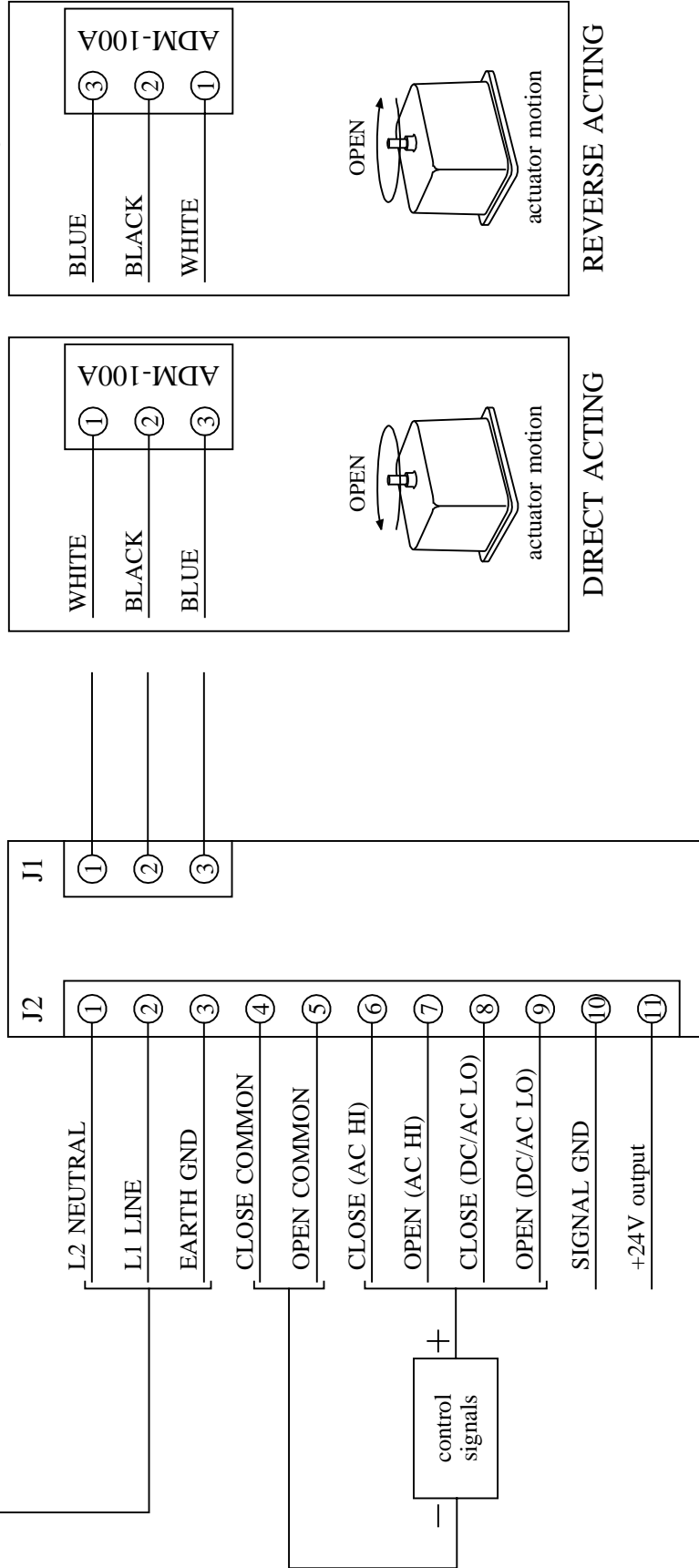
24VAC ON/OFF CONTROLLER

WIRING DIAGRAM

Asahi A94, B94 Actuators

24VAC AMI-103B

NOTE: This application uses a 24VDC actuator with an ADM-100A AC to DC Module installed. See ADM-100A wiring.



DC ON/OFF CONTROLLERS

WIRING DIAGRAM

Asahi A94, B94 Actuators

RCM-101A / RCM-101C

