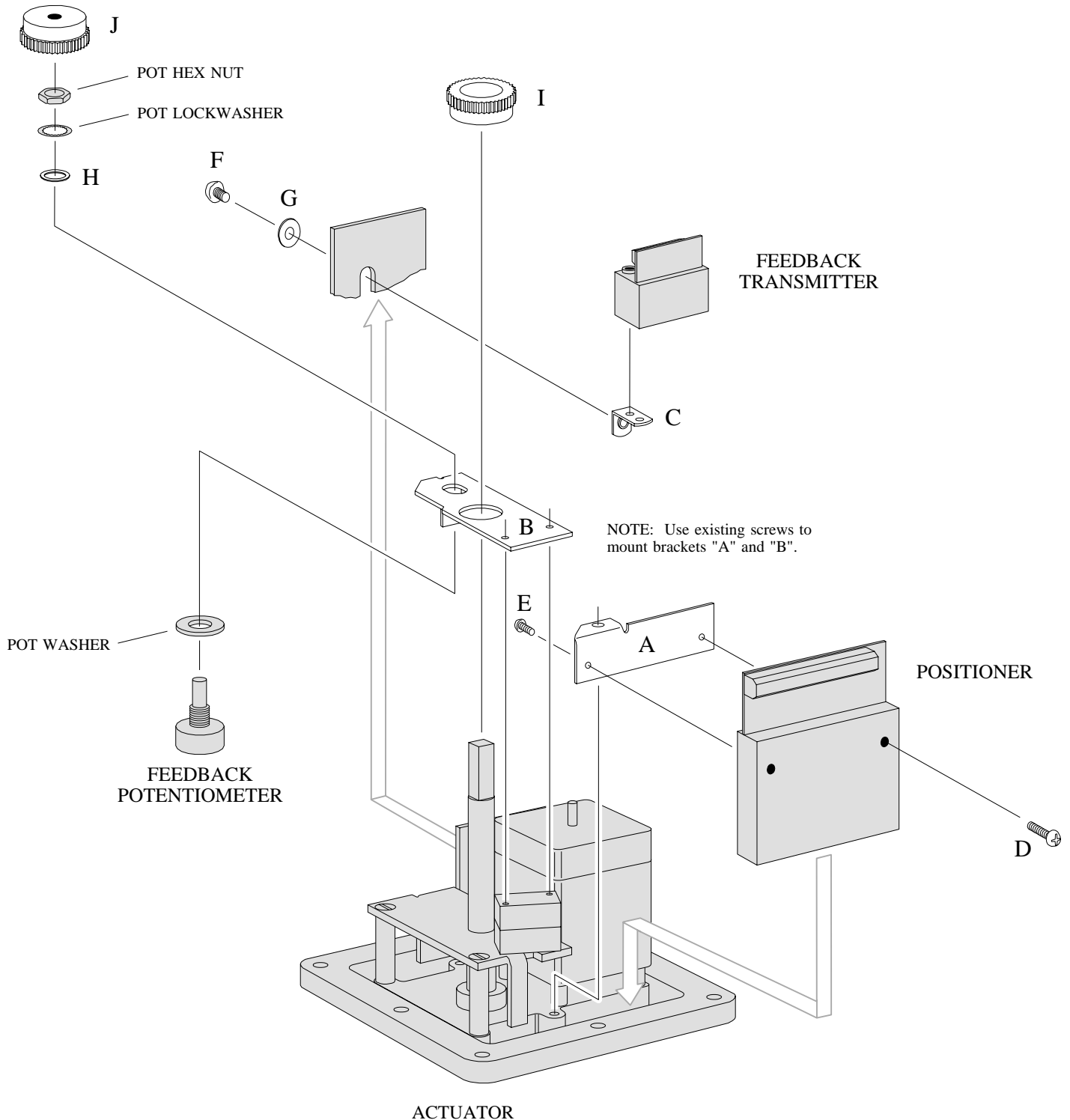
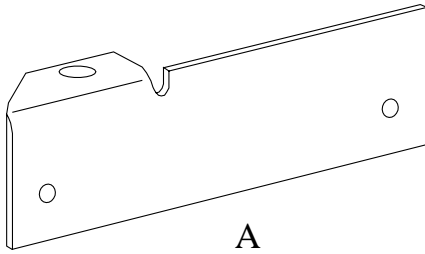


### ASSEMBLY DIAGRAM

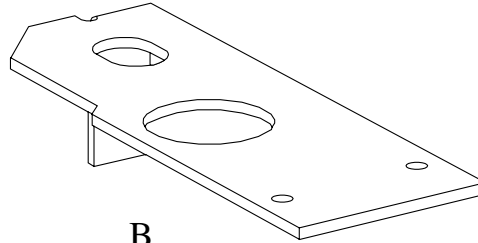
Asahi A94, B94 Actuators



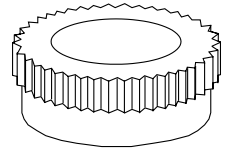
## KIT CONTENTS



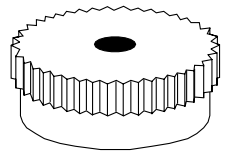
A



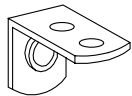
B



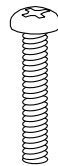
I



J



C



D



E



F



G



H

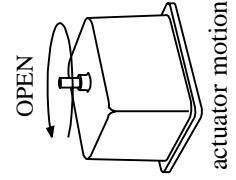
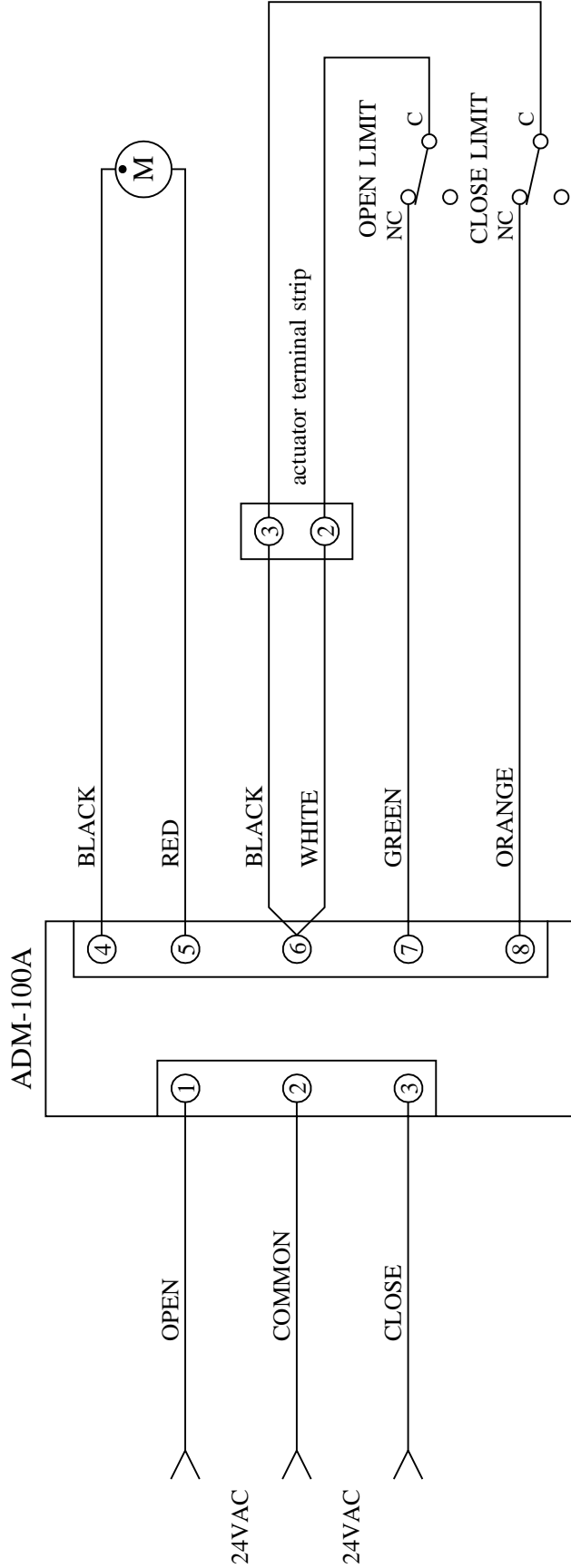
ITEM	QTY	DESCRIPTION
A	1	positioner bracket
B	1	potentiometer bracket
C	1	transmitter bracket
D	1	#6-32 x 0.75" pan head screw
E	1	#6-32 x 0.375" pan head screw
F	1	#8-32 x 0.312" pan head screw
G	1	#8 flat washer
H	1	potentiometer anti-slip washer
I	1	output shaft gear
J	1	potentiometer gear
not shown	1	12" blue wire
not shown	3	12" black wire
not shown	2	12" white wire
not shown	1	12" red wire
not shown	1	5" green wire w/spade terminal
not shown	1	5" orange wire w/spade terminal
not shown	4	6.3" nylon tie wrap

# AC to DC MODULE

## WIRING DIAGRAM

Asahi A94, B94 Actuators

The ADM-100A AC to DC Module allows a 24VDC actuator to be controlled like a 24VAC split-phase motor actuator.

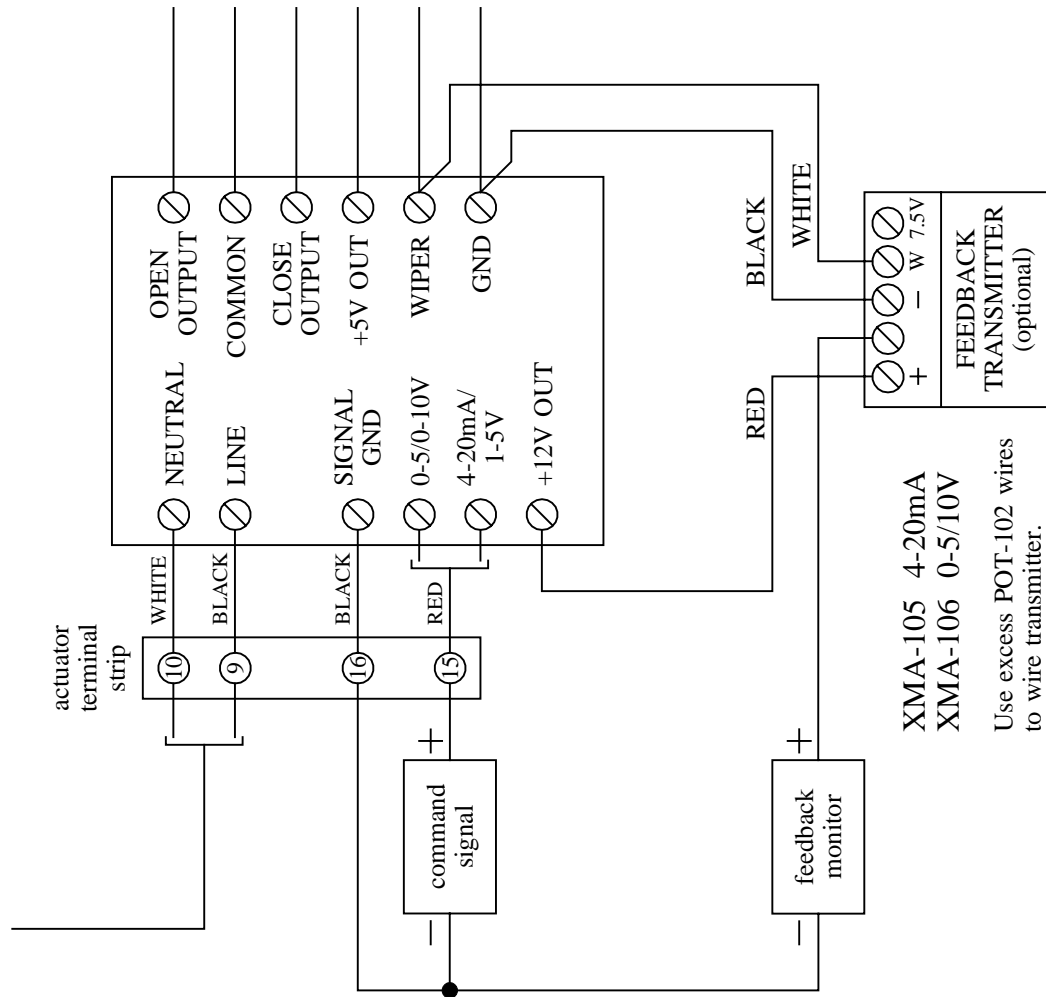


# AC ANALOG POSITIONERS (miniature)

## WIRING DIAGRAM

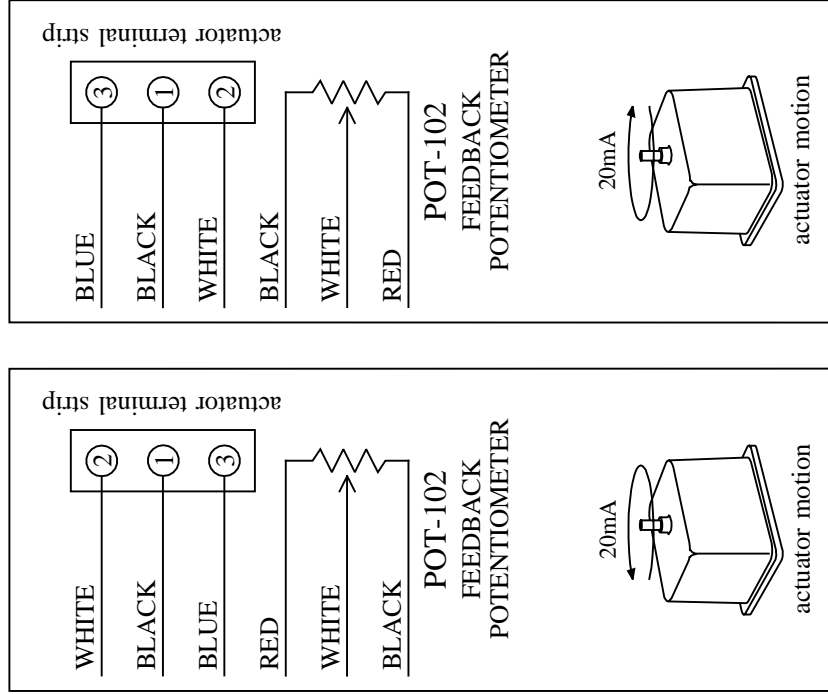
Asahi A94, B94 Actuators

117VAC AMC-103  
234VAC AMC-103A



XMA-105 4-20mA  
XMA-106 0-5/10V

Use excess POT-102 wires to wire transmitter.



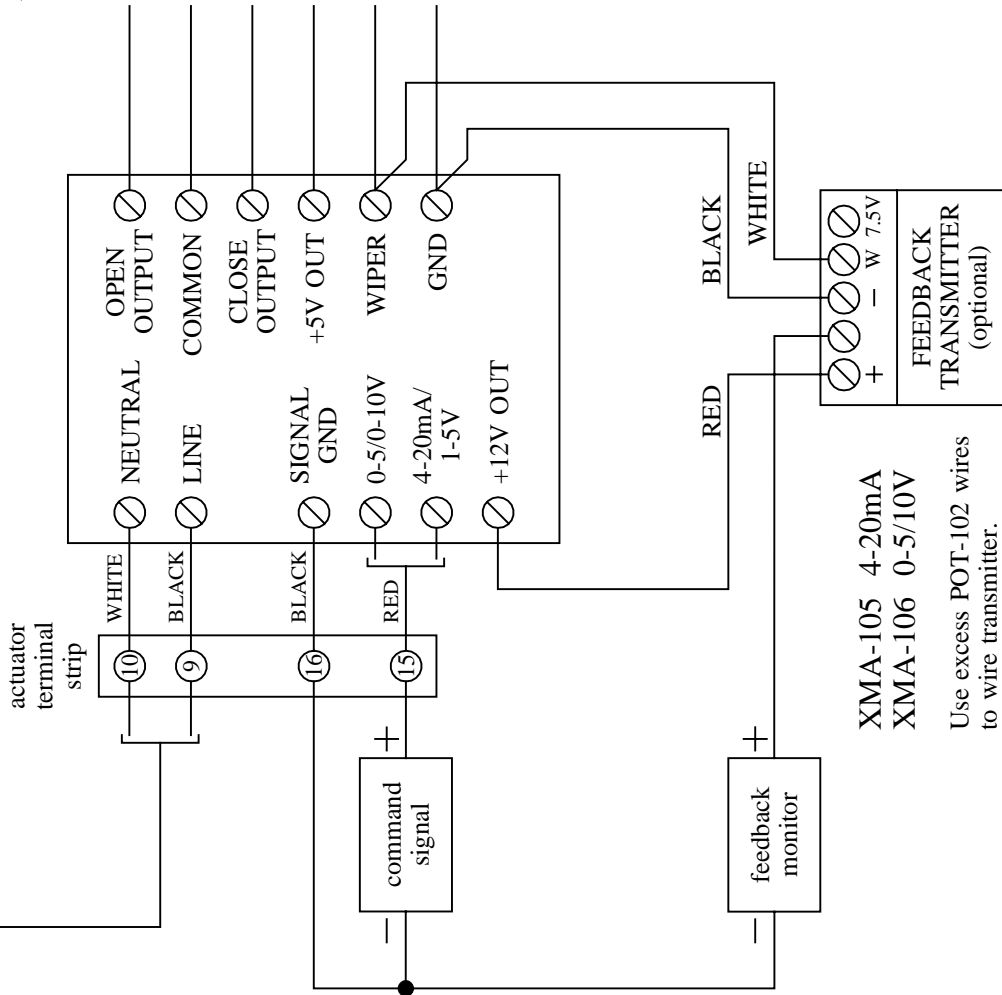
# 24VAC ANALOG POSITIONER (miniature)

## WIRING DIAGRAM

Asahi A94, B94 Actuators

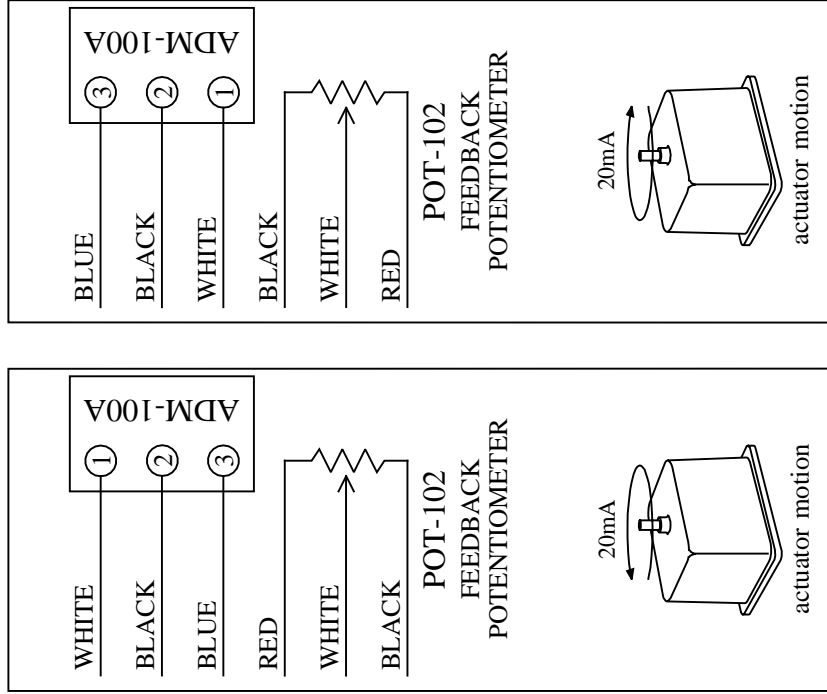
24VAC AMC-103B

NOTE: This application uses a 24VDC actuator with an ADM-100A AC to DC Module installed. See ADM-100A wiring.



XMA-105 4-20mA  
XMA-106 0-5/10V

Use excess POT-102 wires to wire transmitter.

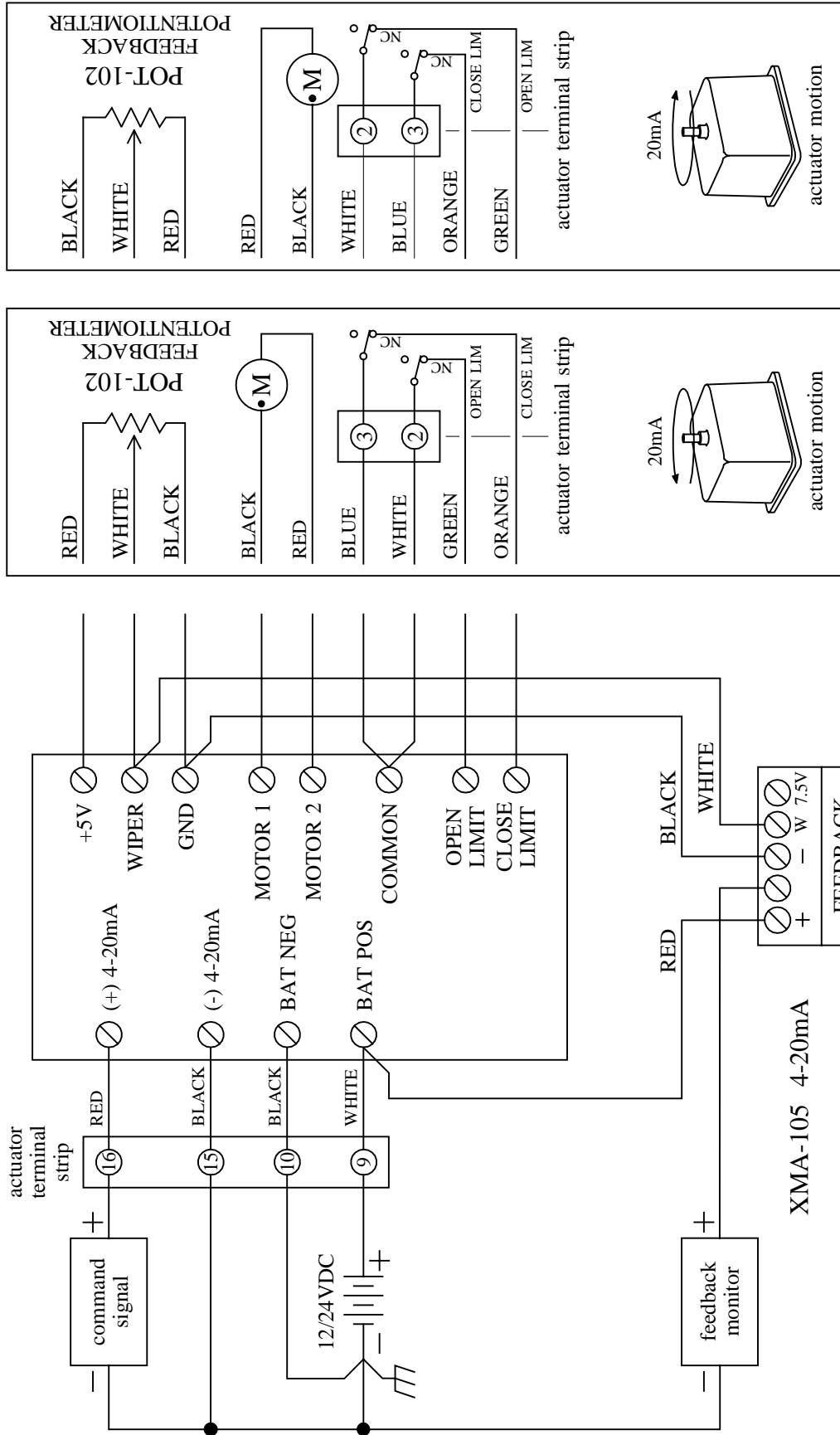


# DC ANALOG POSITIONER (miniature)

## WIRING DIAGRAM

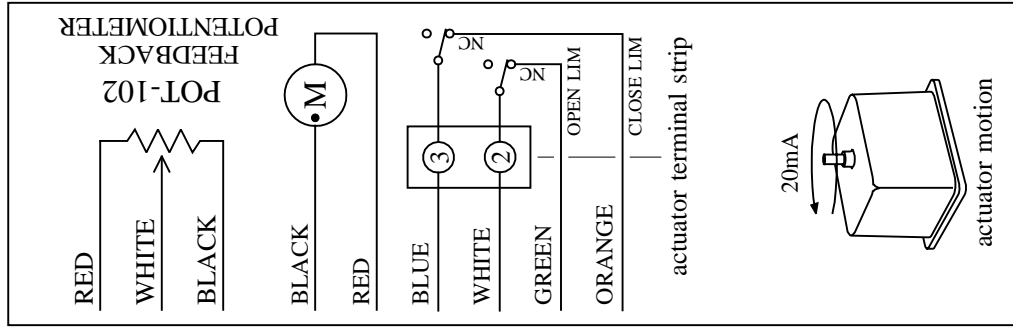
Asahi A94, B94 Actuators

DMC-101

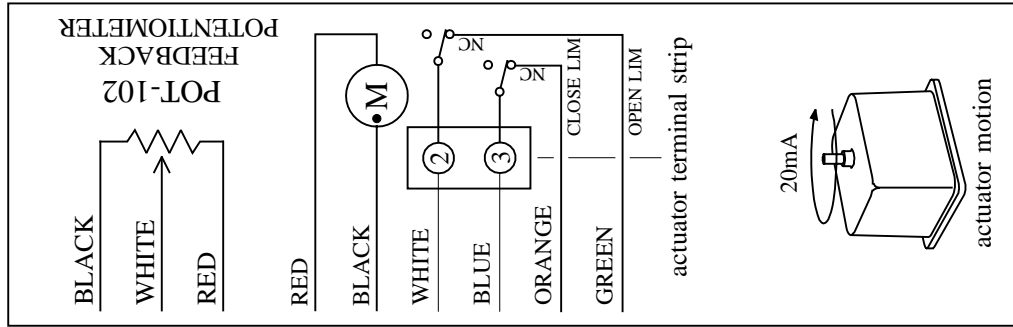


XMA-105 4-20mA

Use excess POT-102 wires to wire transmitter.



DIRECT ACTING



REVERSE ACTING