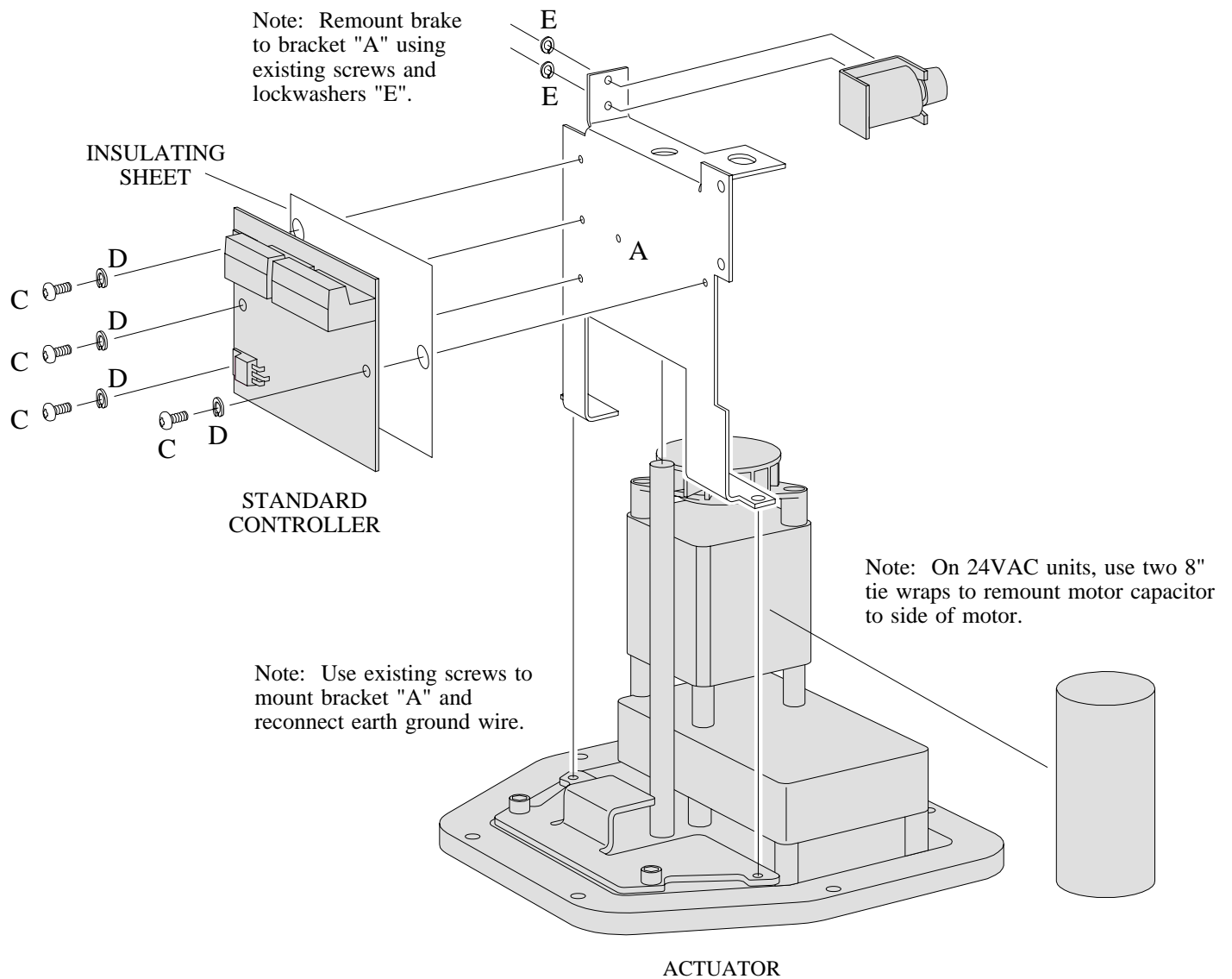


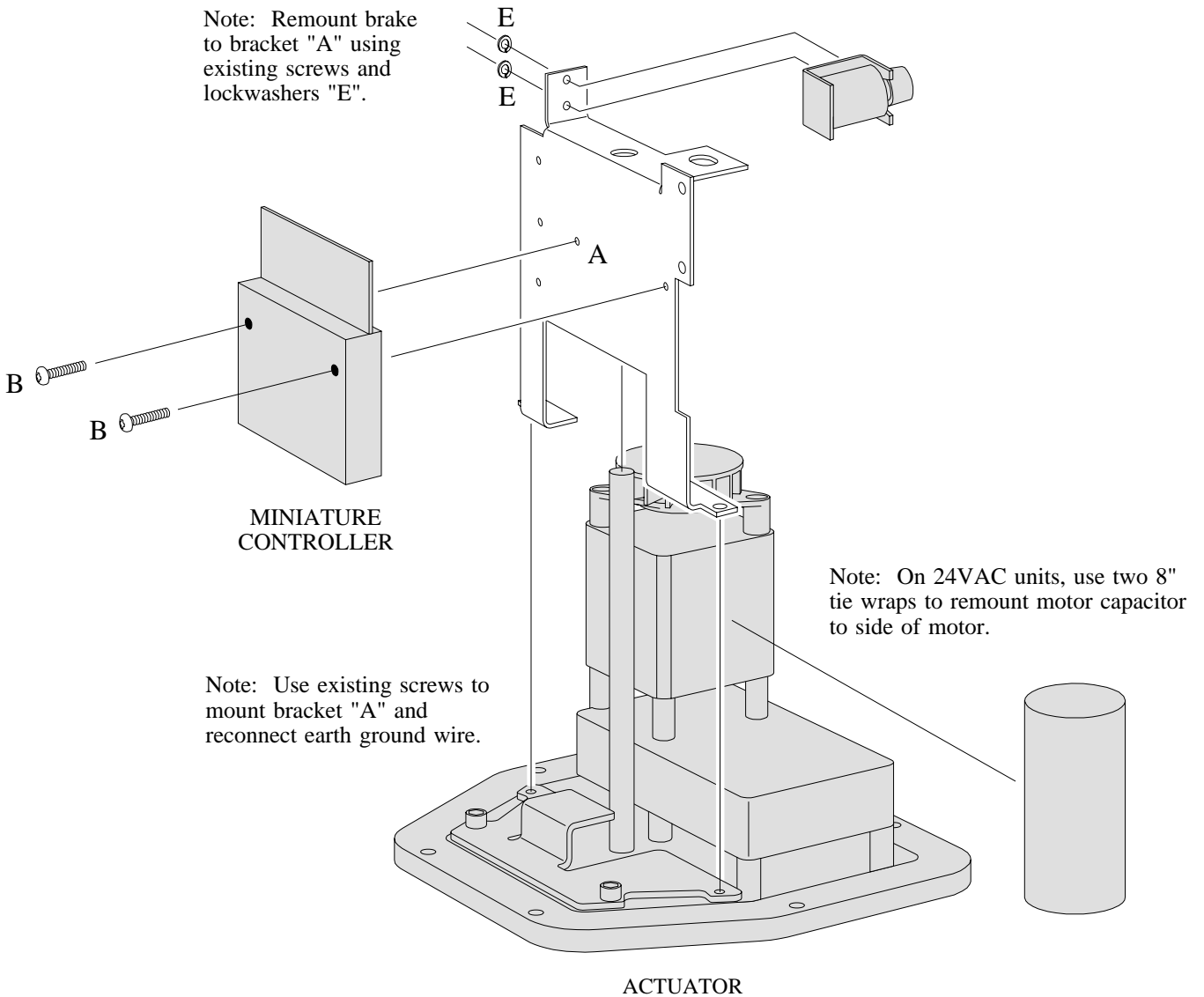
ASSEMBLY DIAGRAM

Conbraco AE200, 400, 600, 800, 1000 Actuators

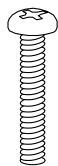
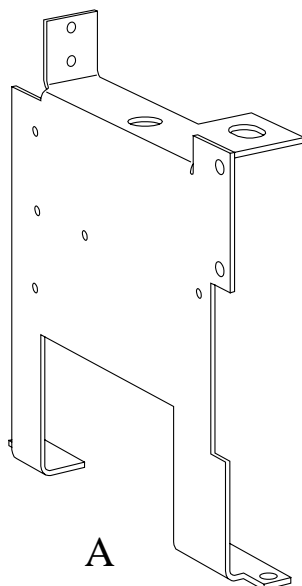


ASSEMBLY DIAGRAM

Conbraco AE200, 400, 600, 800, 1000 Actuators



KIT CONTENTS



B



C



D



E

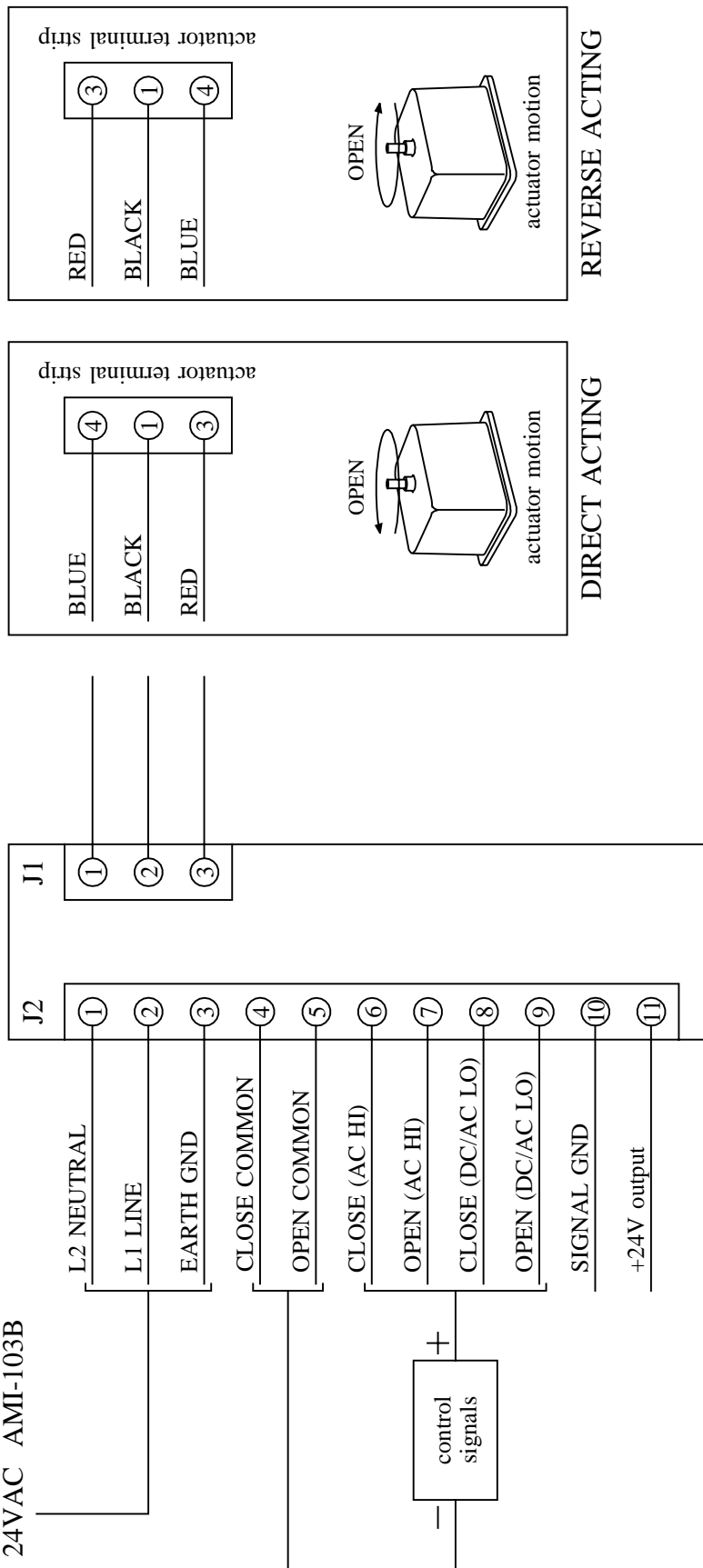
ITEM	QTY	DESCRIPTION
A	1	mounting bracket
B	2	#6-32 X 0.75" pan head screw
C	4	#6-32 X 0.375" pan head screw
D	4	#6 split ring lockwasher
E	2	#4 split ring lockwasher
not shown	1	7" black wire
not shown	2	7" red wire
not shown	1	7" blue wire
not shown	1	7" brown wire
not shown	4	0.187" spade terminal (for limit switch wires - 24VAC and DC units only)
not shown	4	0.25" spade terminal (for motor capacitor wires - 24VAC units only)
not shown	2	6.3" nylon tie wrap
not shown	2	8" nylon tie wrap

AC ON/OFF CONTROLLERS

WIRING DIAGRAM

Conbraco AE200, 400, 600, 800, 1000 Actuators

117VAC AMI-103
 234VAC AMI-103A
 24VAC AMI-103B

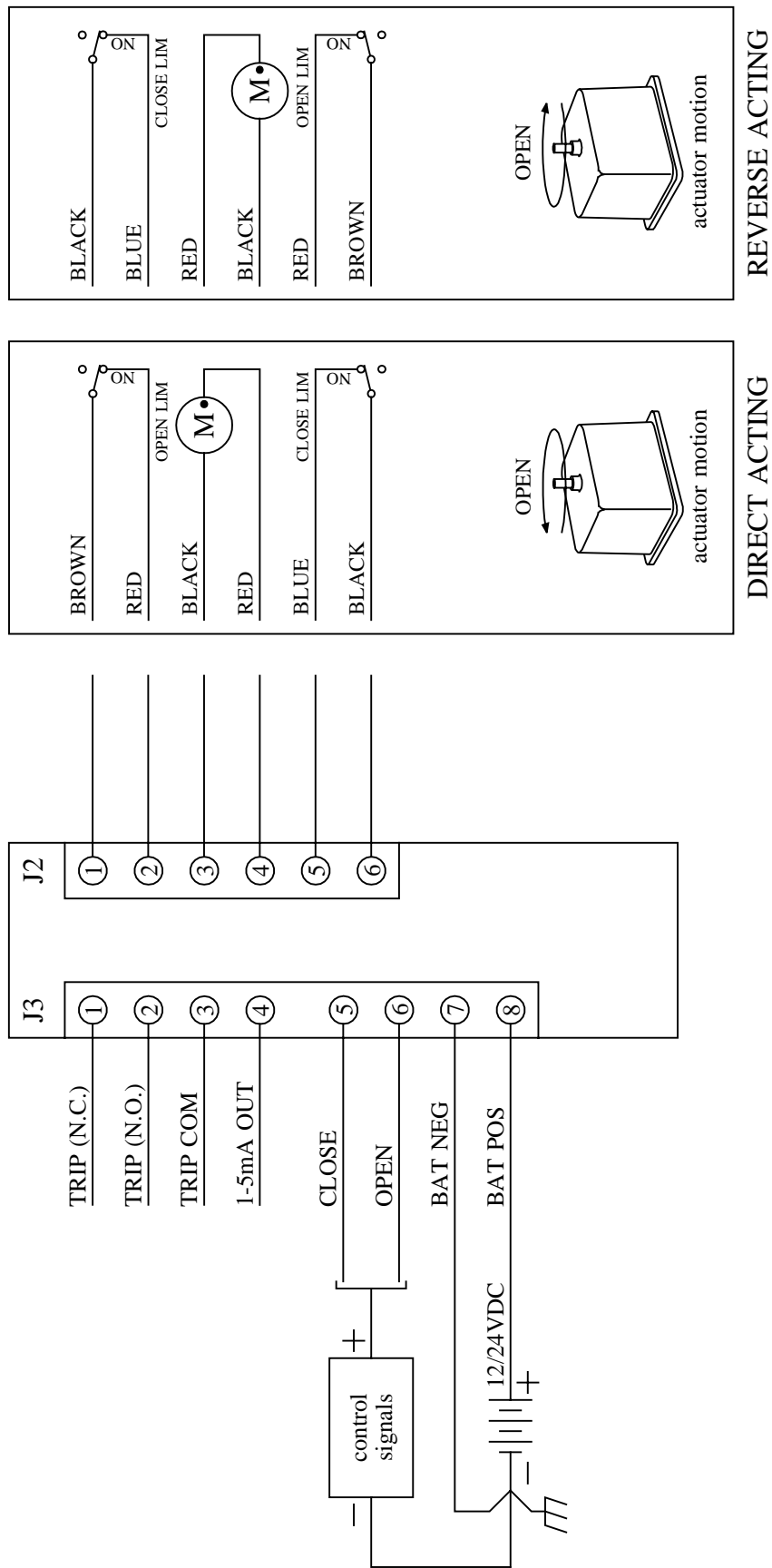


DC ON/OFF CONTROLLER

WIRING DIAGRAM

Conbraco AE200, 400, 600, 800, 1000 Actuators

RCM-101A

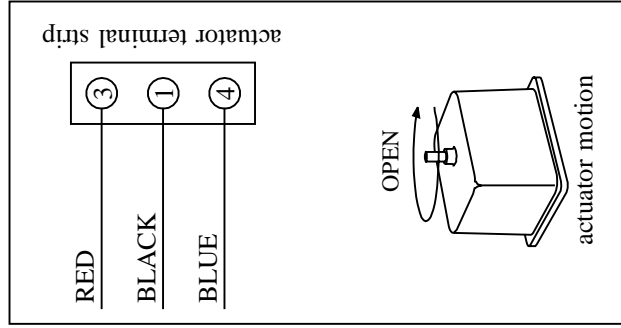
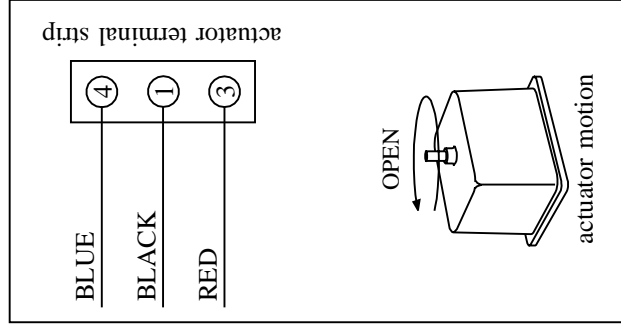
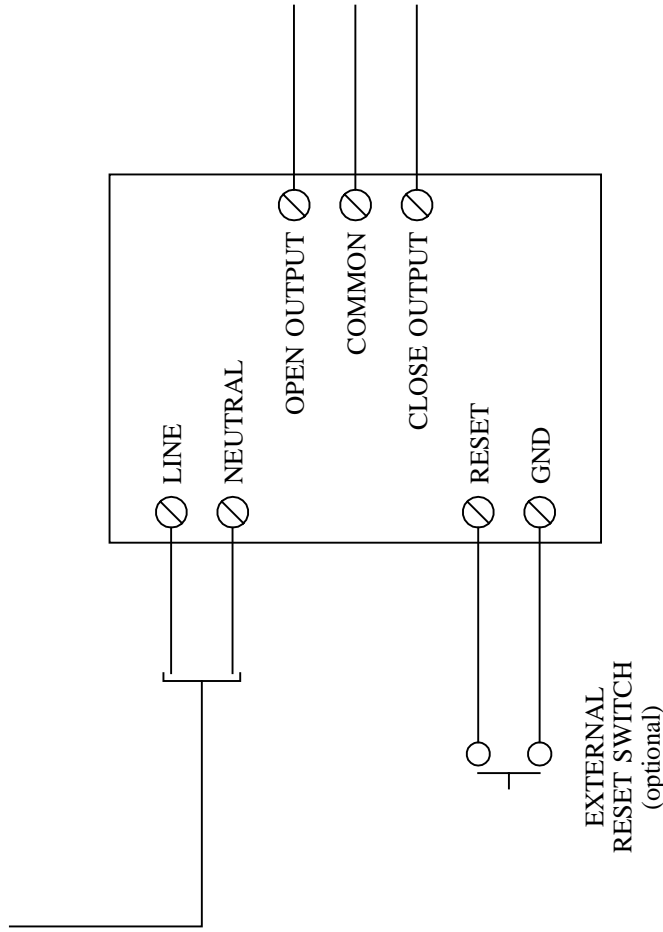


AC SEQUENCE TIMERS

WIRING DIAGRAM

Conbraco AE200, 400, 600, 800, 1000 Actuators

117VAC AST-100
234VAC AST-100A

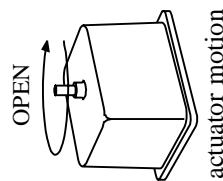
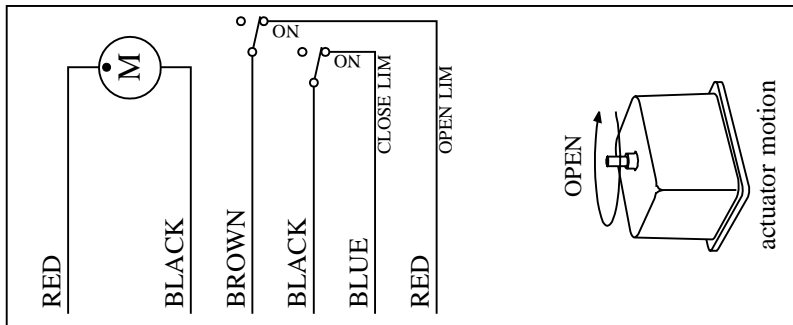
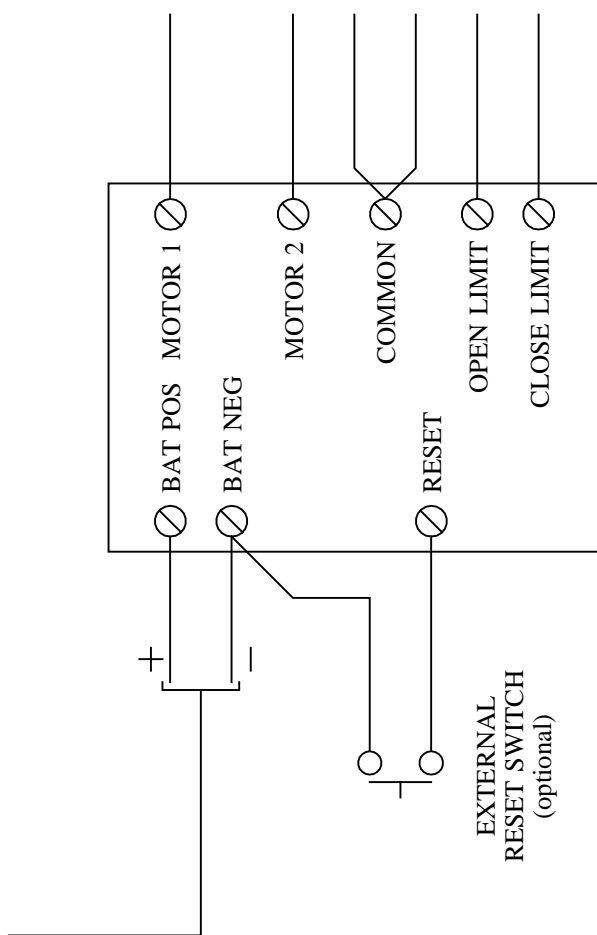


DC SEQUENCE TIMERS

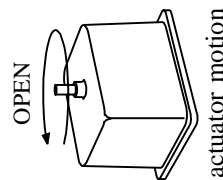
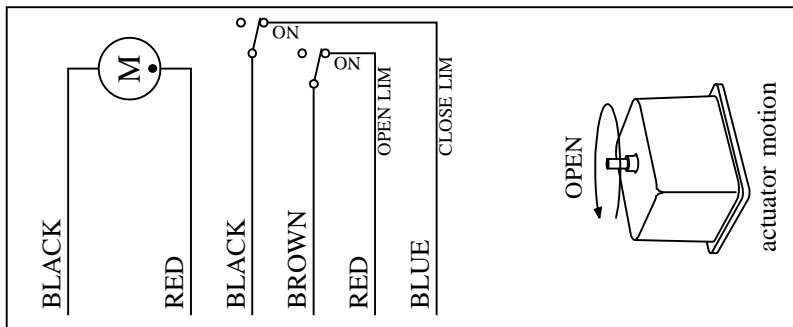
WIRING DIAGRAM

Conbraco AE200, 400, 600, 800, 1000 Actuators

12VDC DST-100
24VDC DST-100A



REVERSE ACTING



DIRECT ACTING