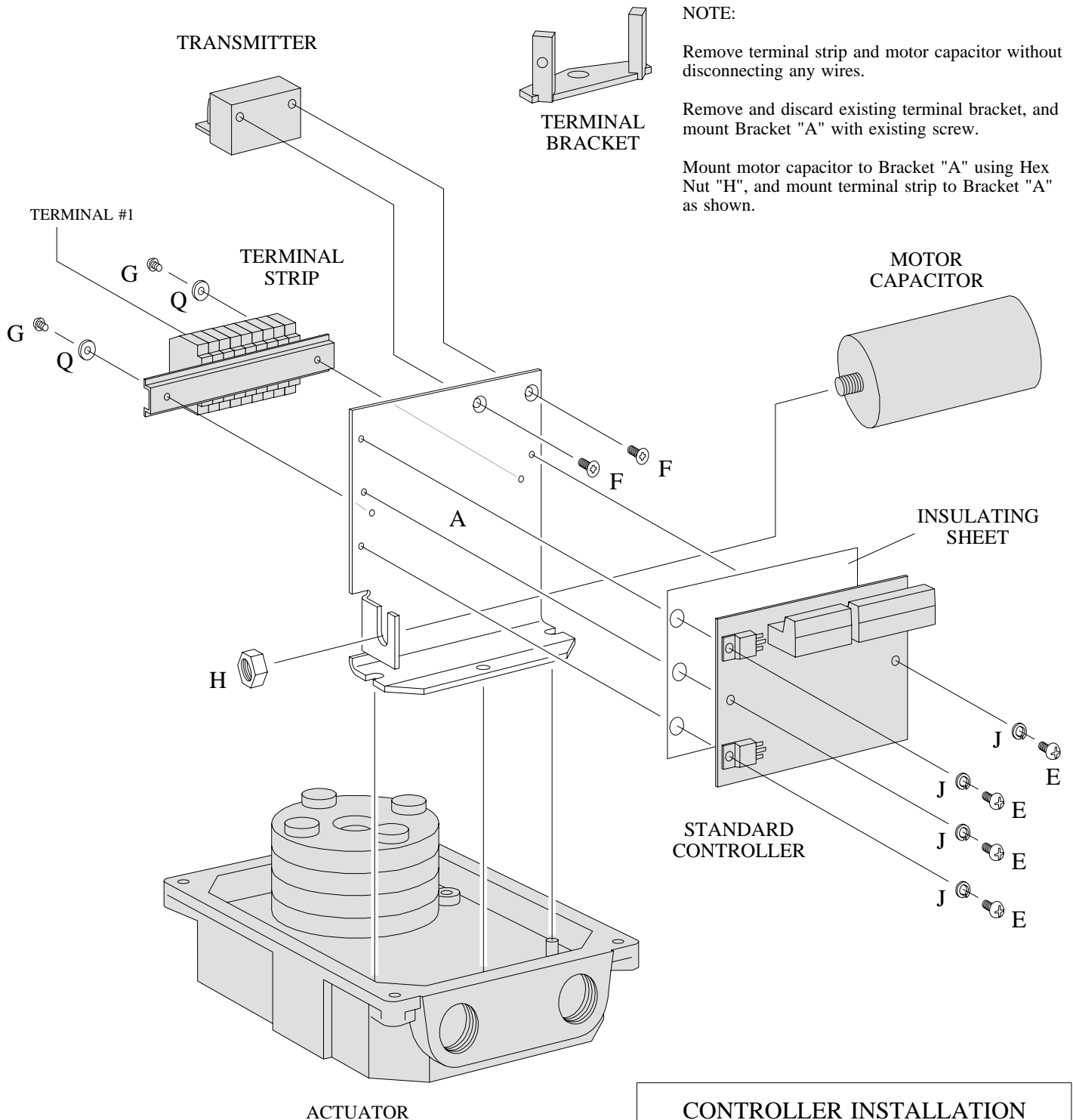


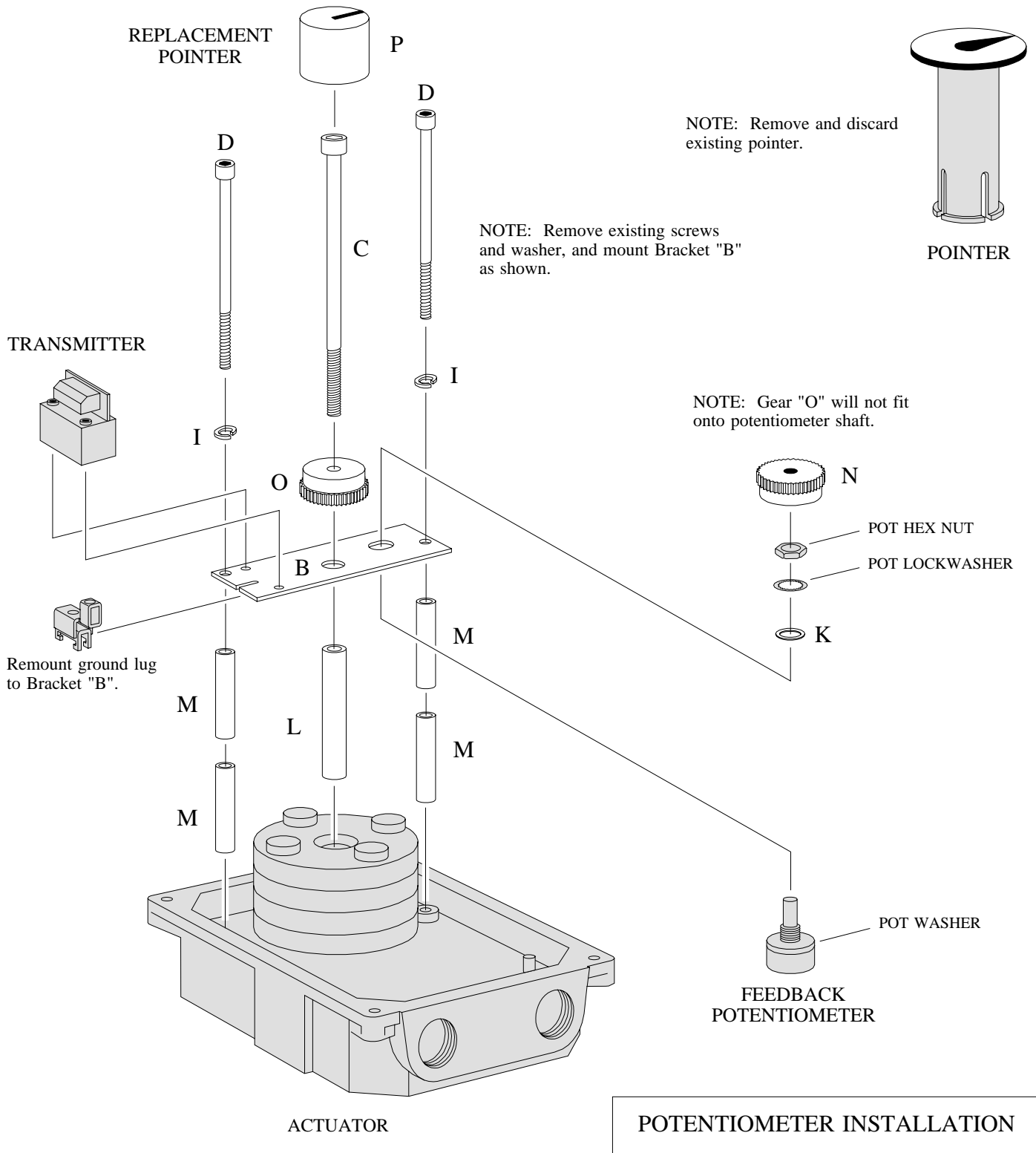
ASSEMBLY DIAGRAM

Bernard OA3, OA6, OA8, OAP, OA15 Actuators

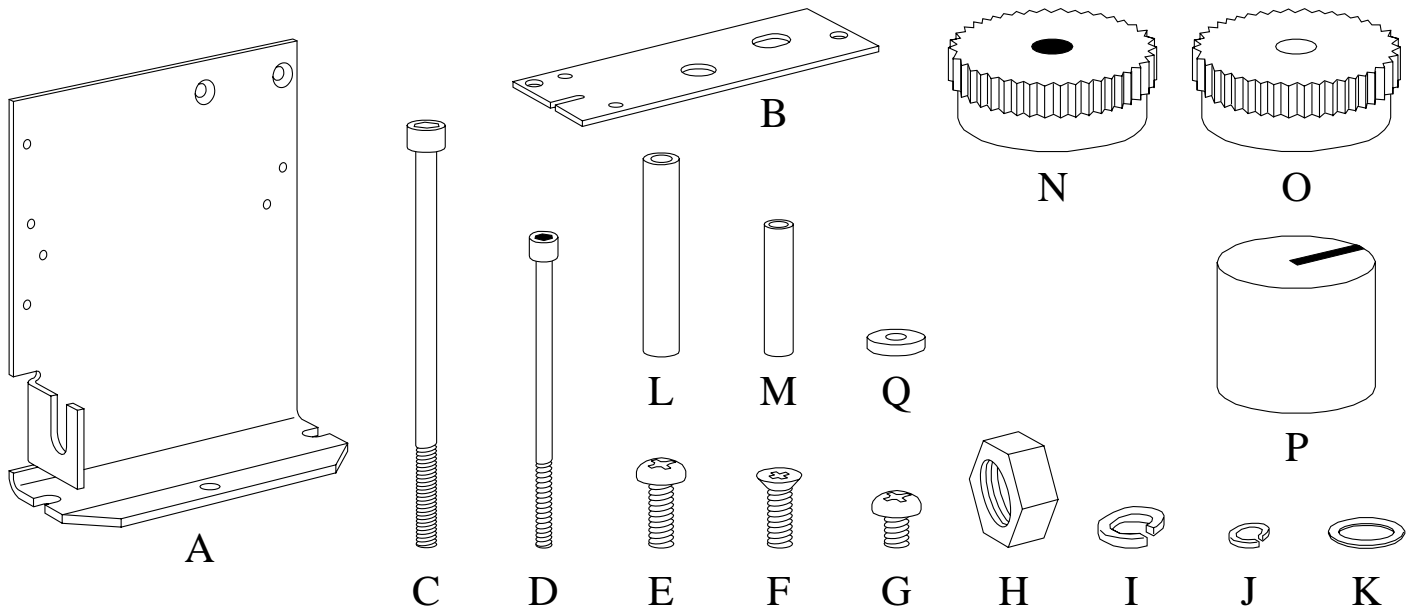


ASSEMBLY DIAGRAM

Bernard OA3, OA6, OA8, OAP, OA15 Actuators



KIT CONTENTS



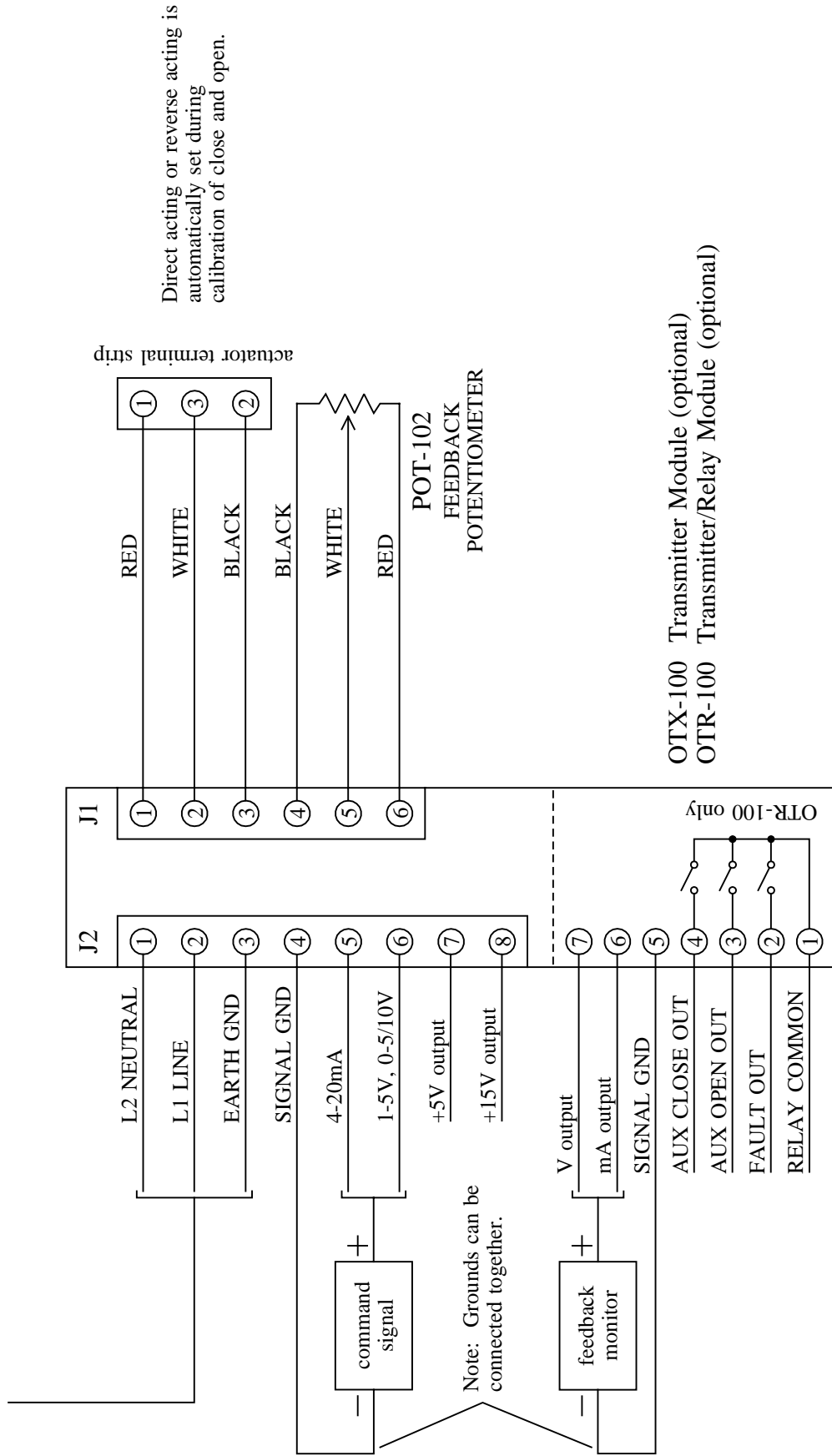
ITEM	QTY	DESCRIPTION
A	1	positioner bracket
B	1	potentiometer bracket
C	1	6mm/1mm x 110mm socket head screw
D	2	5mm/0.8mm x 80mm
E	4	#6-32 x 0.375" pan head screw
F	2	#6-32 x 0.375" flat head screw
G	2	#6-32 x 0.187" pan head screw
H	1	8mm/1.25mm hex nut
I	2	5mm split ring lockwasher
J	4	#6 split ring lockwasher
K	1	potentiometer anti-slip washer
L	1	51mm steel spacer
M	4	35mm steel spacer
N	1	potentiometer gear
O	1	output shaft gear
P	1	replacement pointer
Q	2	#6 nylon washer
not shown	1	11" white wire
not shown	1	11" black wire
not shown	1	11" red wire
not shown	5	6.3" nylon tie wrap

AC DIGITAL POSITIONERS

WIRING DIAGRAM

Bernard 0A3, OA6, OA8, OAP, OA15 Actuators

117VAC DHC-100
234VAC DHC-100A



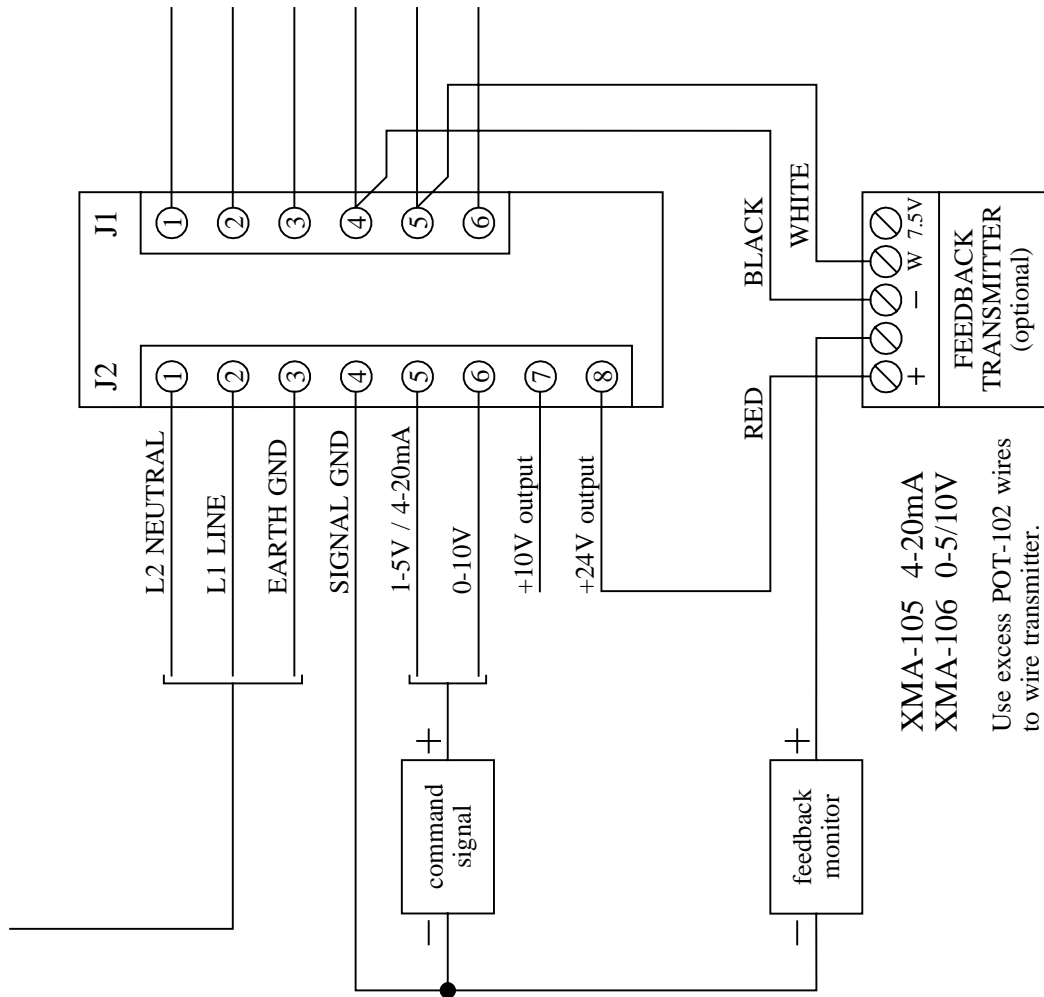
OTX-100 Transmitter Module (optional)
OTR-100 Transmitter/Relay Module (optional)

AC ANALOG / LOG RATE POSITIONERS (standard)

WIRING DIAGRAM

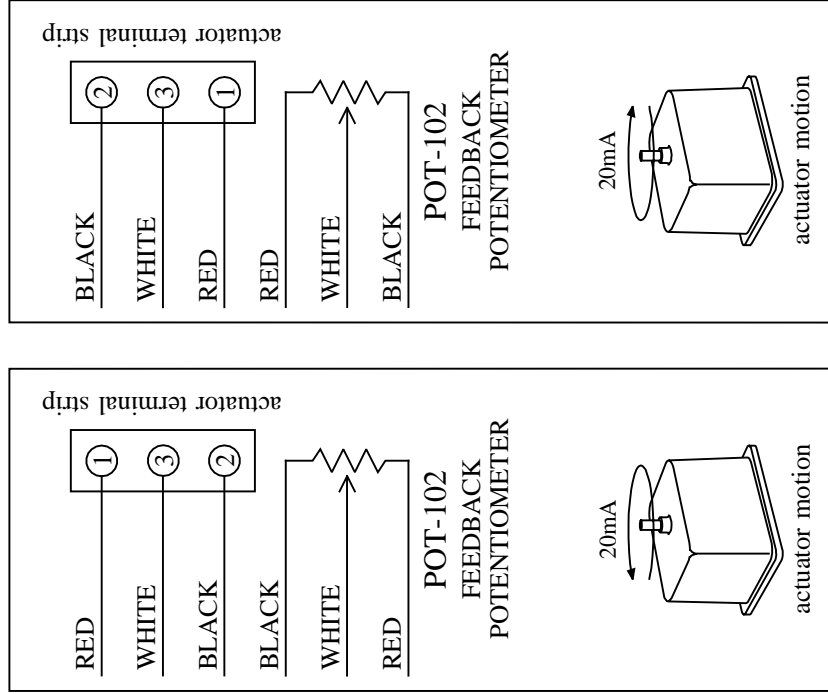
Bernard OA3, OA6, OA8, OAP, OA15 Actuators

117VAC AMC-101A / LRC-101A / LRC-101G
 234VAC AMC-100C / LRC-101B / LRC-101H



XMA-105 4-20mA
 XMA-106 0-5/10V

Use excess POT-102 wires to wire transmitter.



DIRECT ACTING

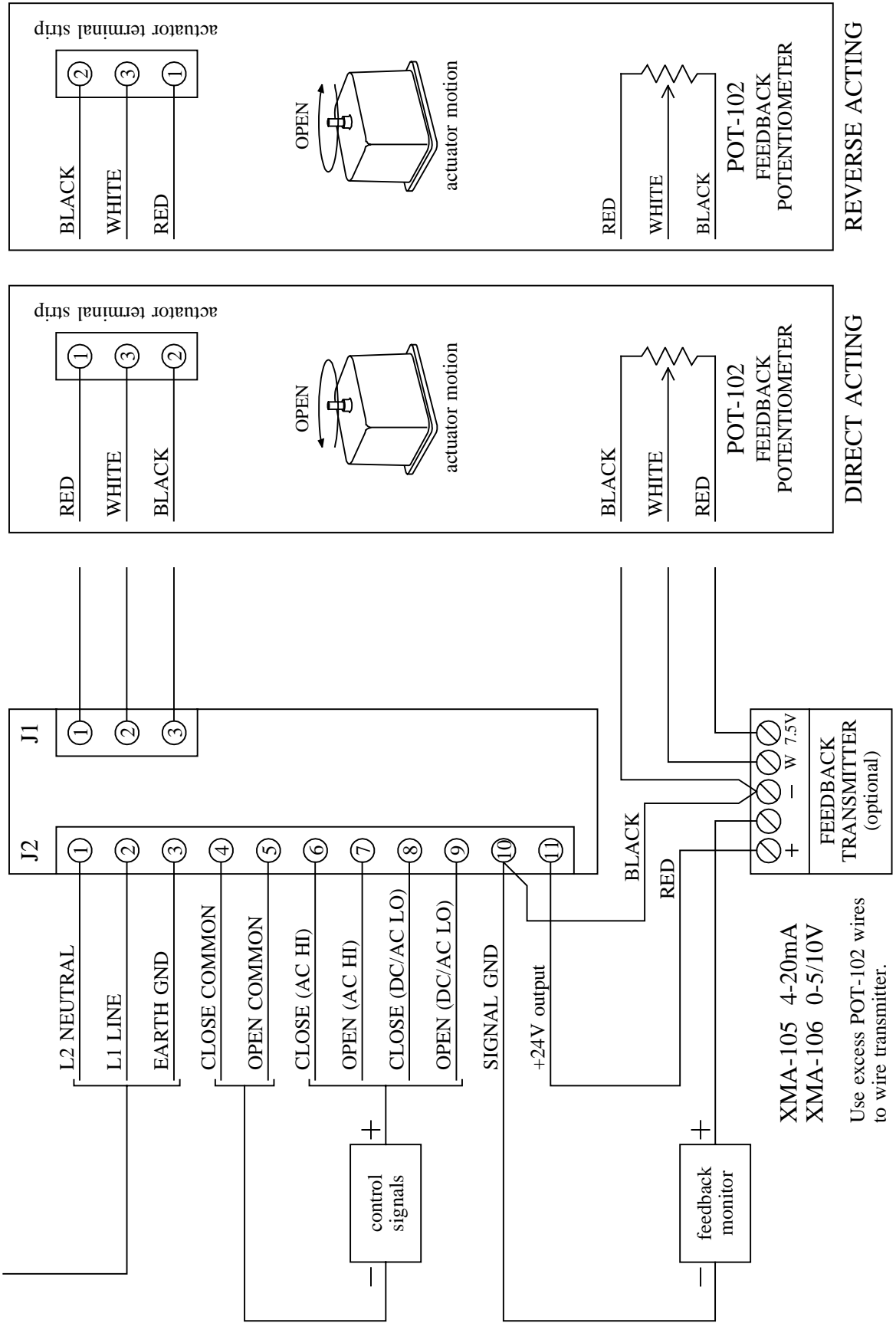
REVERSE ACTING

AC ON/OFF CONTROLLERS

WIRING DIAGRAM

Bernard OA3, OA6, OA8, OAP, OA15 Actuators

117VAC AMI-103
234VAC AMI-103A



XMA-105 4-20mA
XMA-106 0-5/10V
Use excess POT-102 wires to wire transmitter.