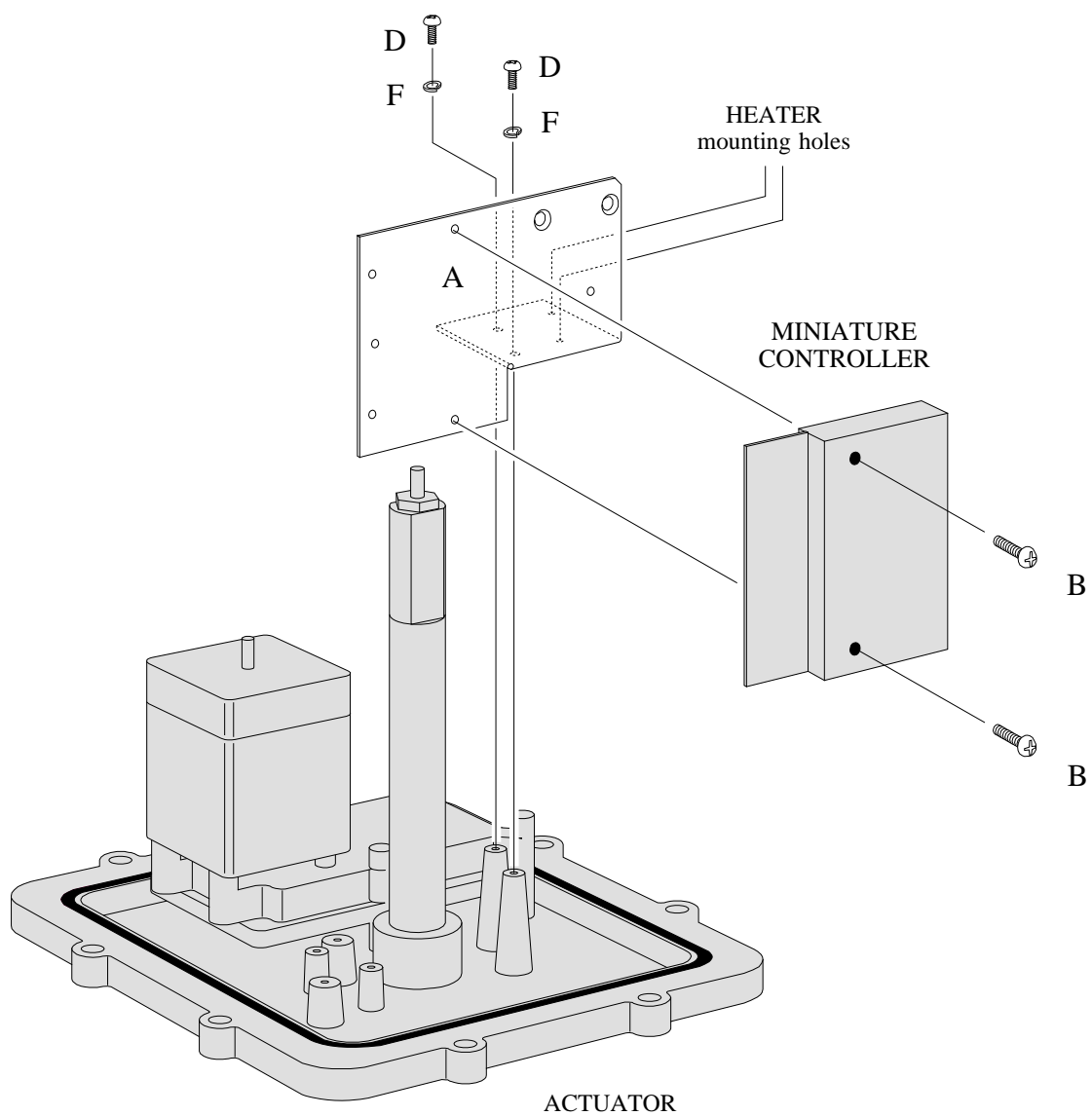
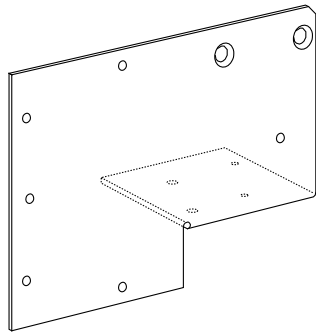


ASSEMBLY DIAGRAM

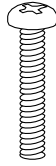
Asahi A92, B92, C92, S92 Actuators



KIT CONTENTS



A



B



C



D



E



F

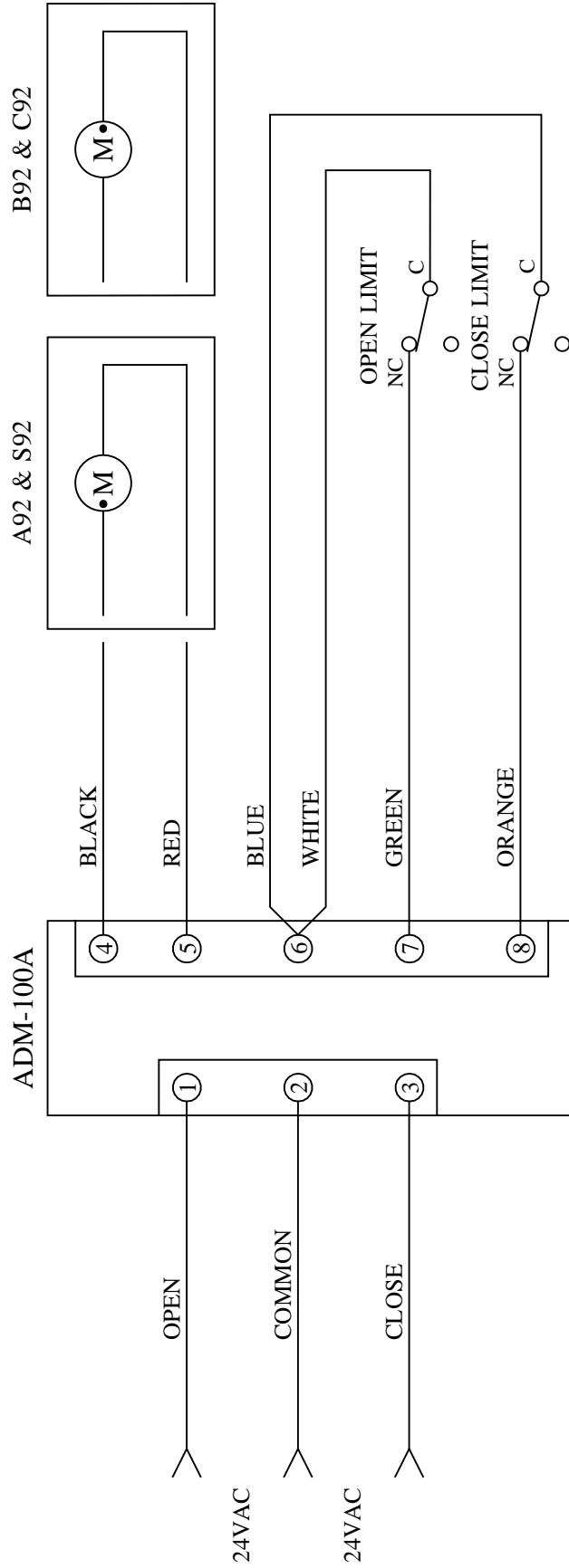
ITEM	QTY	DESCRIPTION
A	1	mounting bracket
B	2	#6-32 x 0.75" pan head screw
C	4	#6-32 X 0.375" pan head screw
D	2	#4-40 x 0.312" pan head screw
E	4	#6 split ring lockwasher
F	2	#4 split ring lockwasher
not shown	1	5.5" white wire
not shown	1	5.5" blue wire
not shown	1	5.5" black wire
not shown	1	5.5" red wire
not shown	1	10.5" green wire w/spade terminal
not shown	1	10.5" orange wire w/spade terminal
not shown	1	10.5" blue wire w/spade terminal
not shown	1	10.5" white wire w/spade terminal
not shown	1	butt connector
not shown	2	6.3" nylon tie wrap

AC to DC MODULE

WIRING DIAGRAM

Asahi A92, B92, C92, S92 Actuators

The ADM-100A AC to DC Module allows a 24VDC actuator to be controlled like a 24VAC split-phase motor actuator.

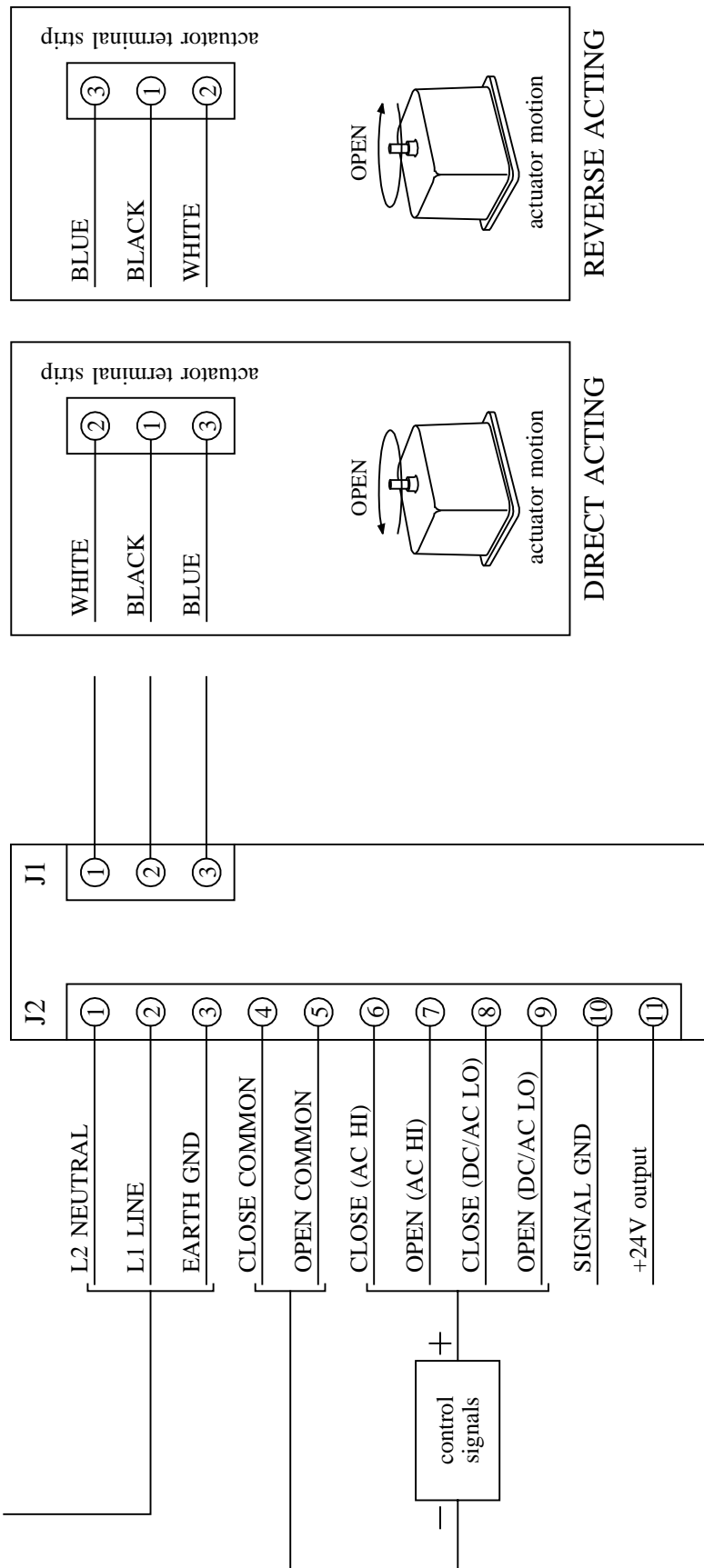


AC ON/OFF CONTROLLERS

WIRING DIAGRAM

Asahi A92, B92, C92, S92 Actuators

117VAC AMI-103
234VAC AMI-103A



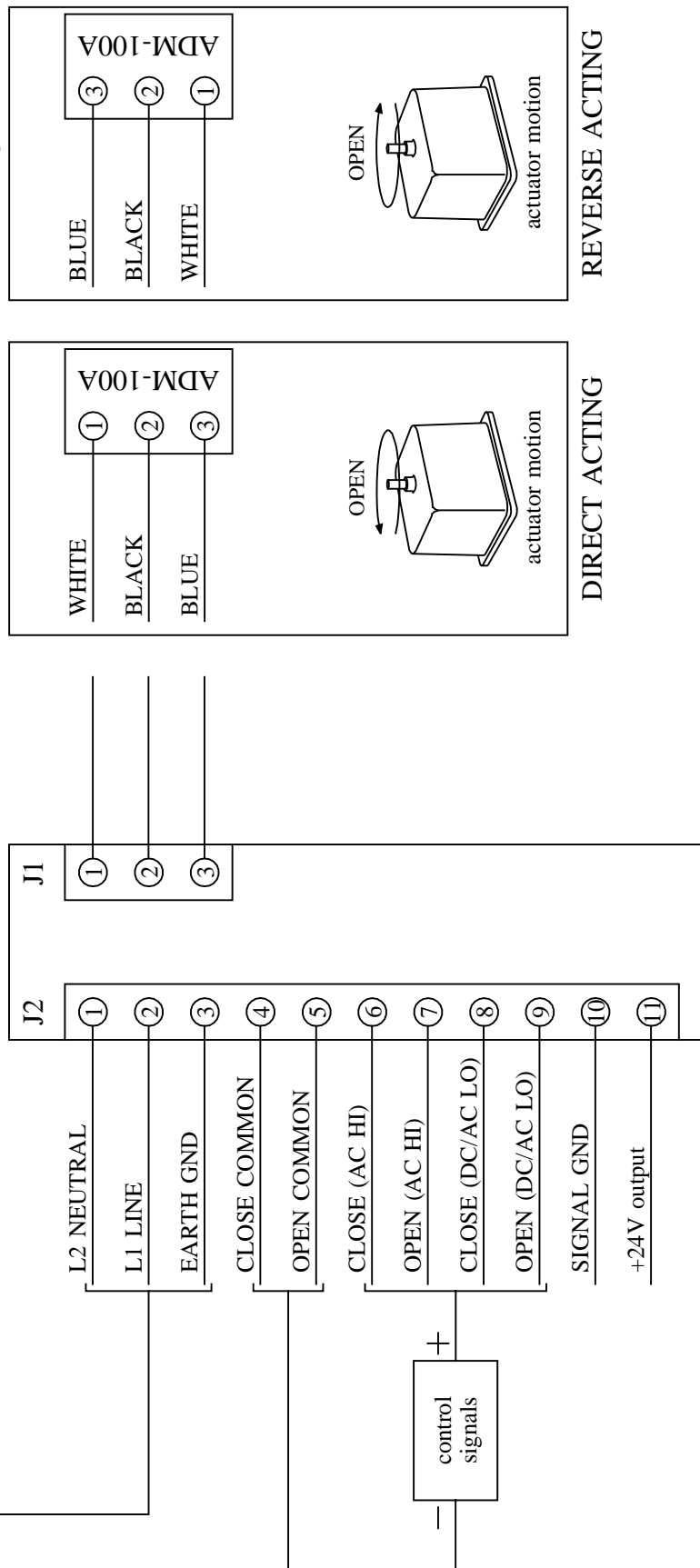
24VAC ON/OFF CONTROLLERS

WIRING DIAGRAM

Asahi A92, B92, C92, S92 Actuators

24VAC AMI-103B

NOTE: This application uses a 24VDC actuator with an ADM-100A AC to DC Module installed. See ADM-100A wiring.

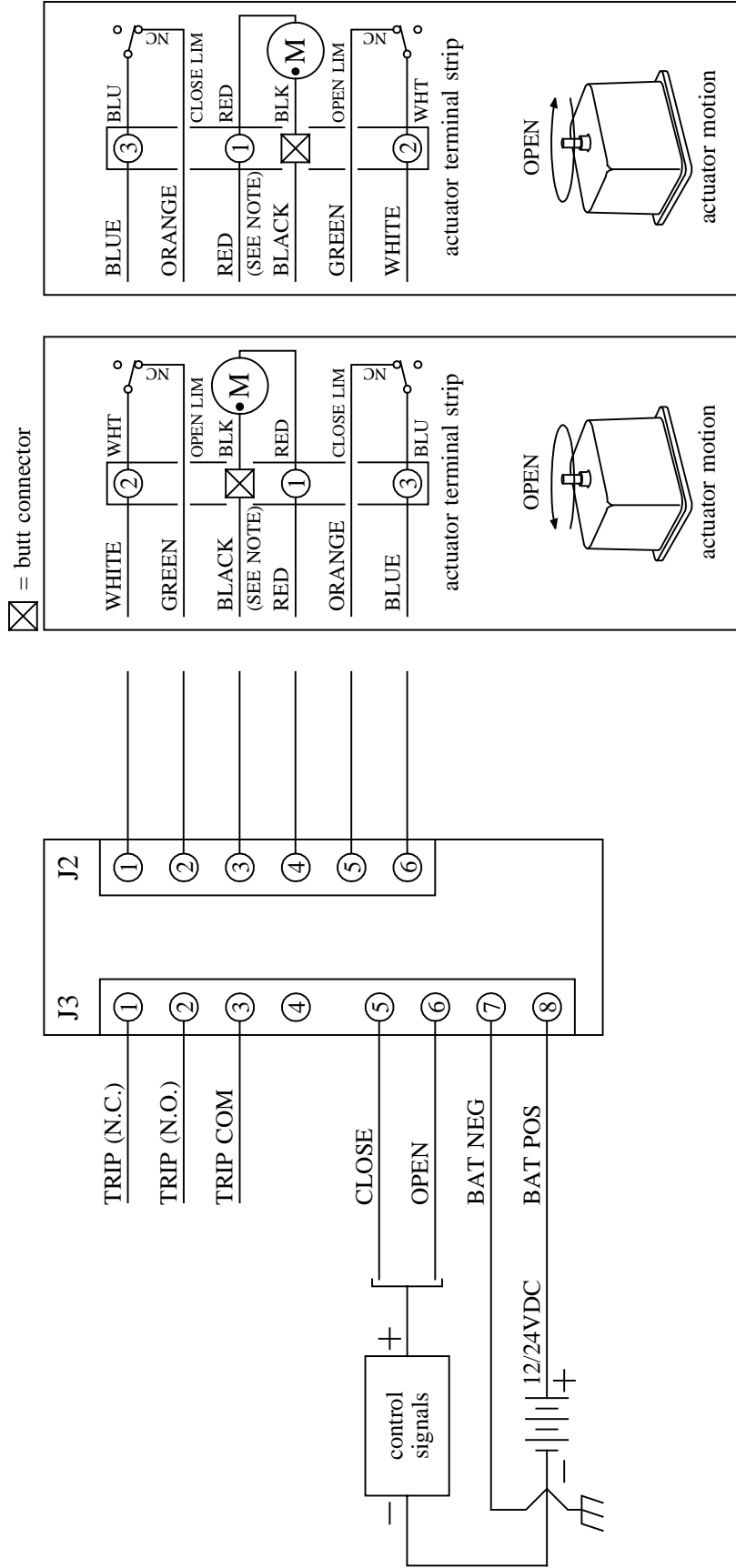


DC ON/OFF CONTROLLERS

WIRING DIAGRAM

Asahi A92, B92, C92, S92 Actuators

RCM-101A



DIRECT ACTING

REVERSE ACTING

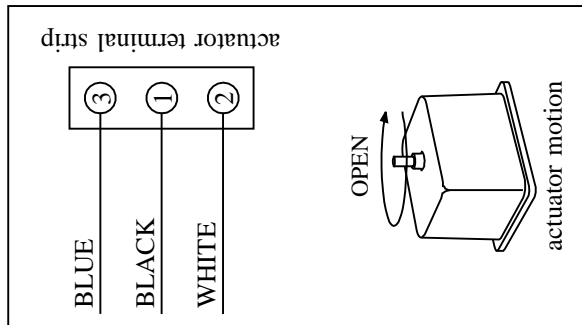
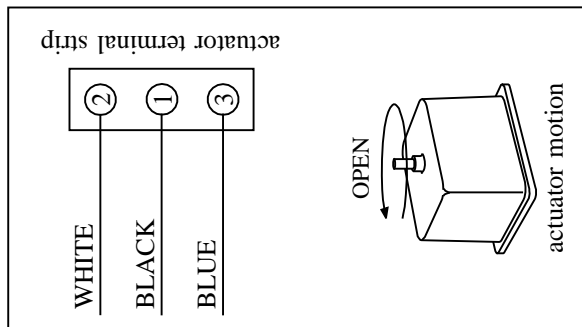
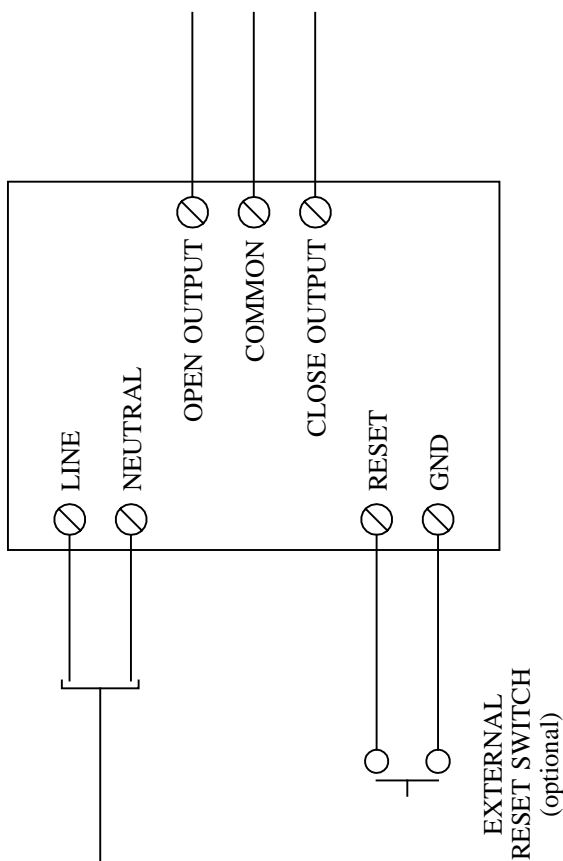
NOTE: Reverse motor leads for B92 and C92 actuators.

AC SEQUENCE TIMERS

WIRING DIAGRAM

117VAC AST-100
234VAC AST-100A

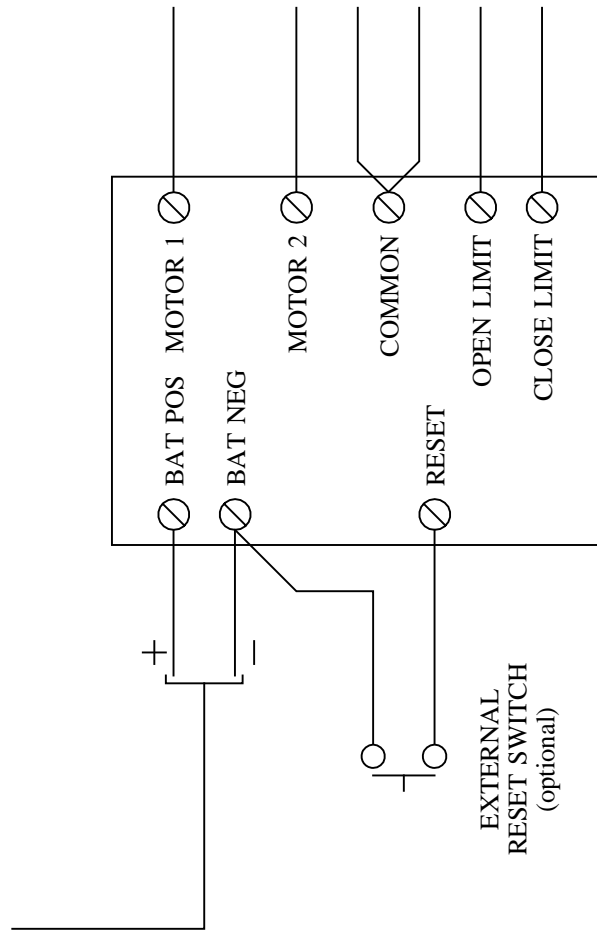
Asahi A92, B92, C92, S92 Actuators



DC SEQUENCE TIMERS

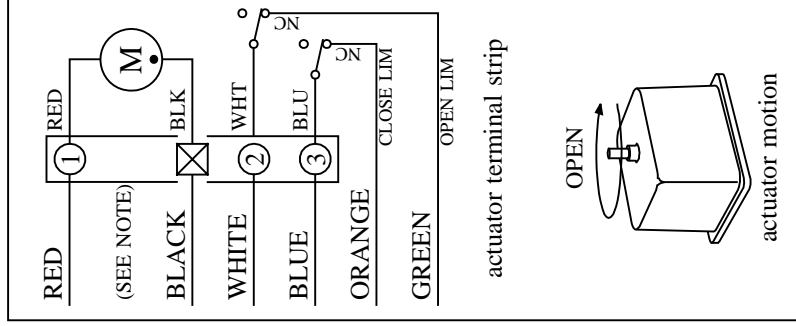
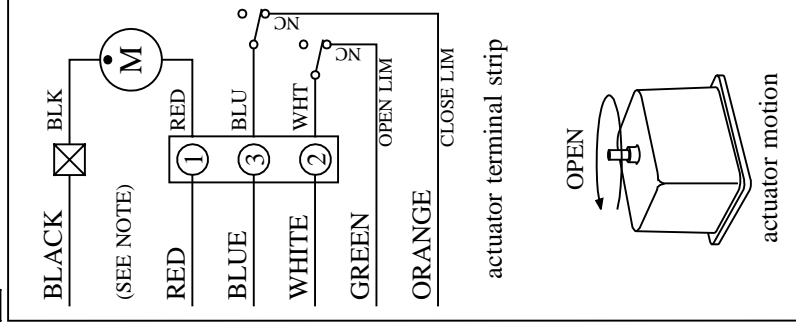
WIRING DIAGRAM

12VDC DST-100
24VDC DST-100A



Asahi A92, B92, C92, S92 Actuators

☒ = butt connector



NOTE: Reverse motor leads for B92 and C92 actuators.