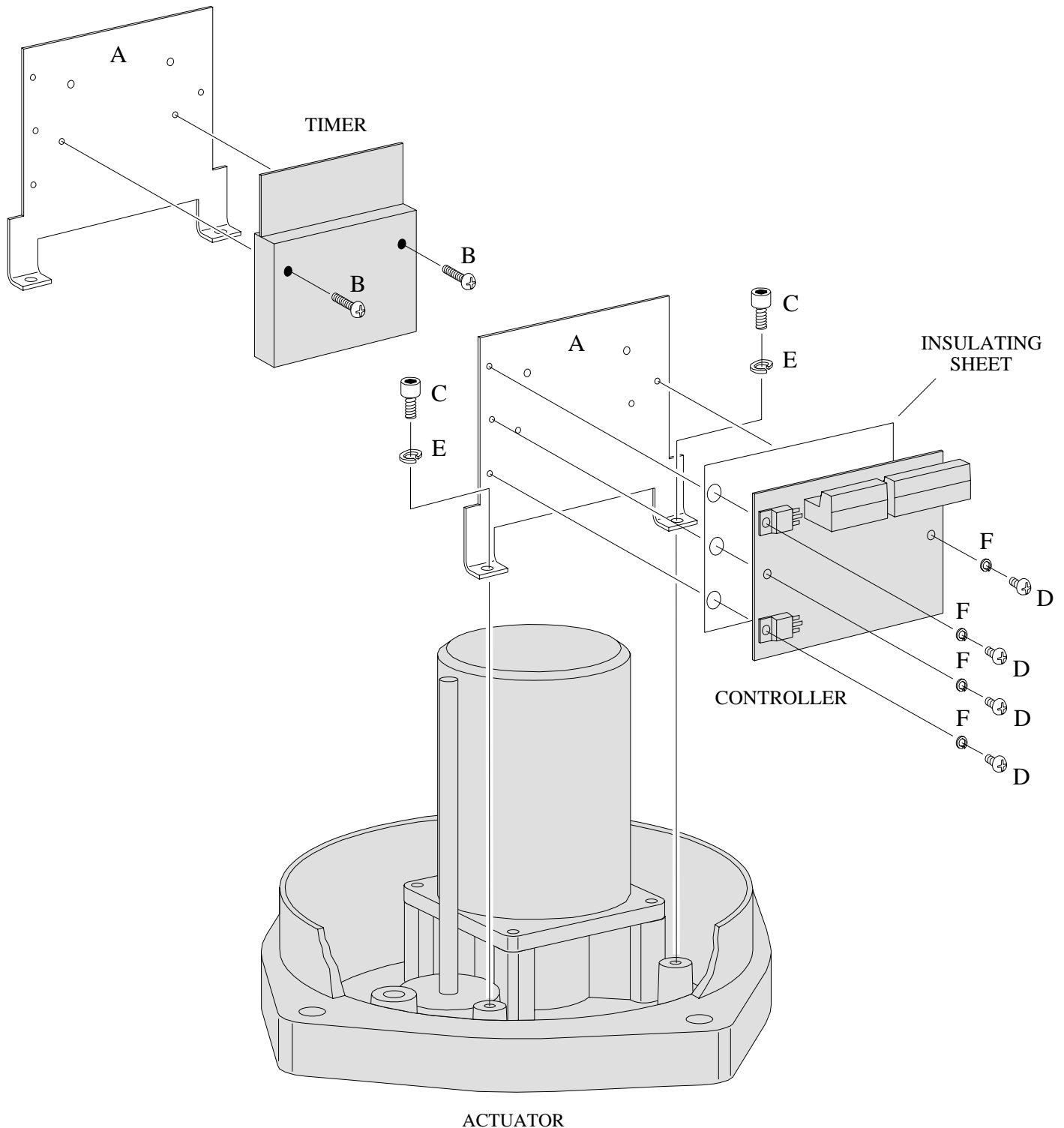
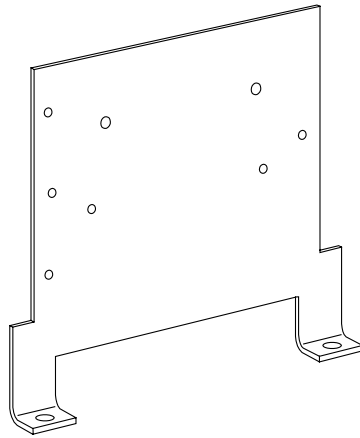


ASSEMBLY DIAGRAM

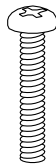
HKC HQ-015, -020, -030, -050, -060, -080, -120, -200, -300 Actuators



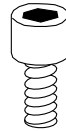
KIT CONTENTS



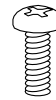
A



B



C



D



E



F

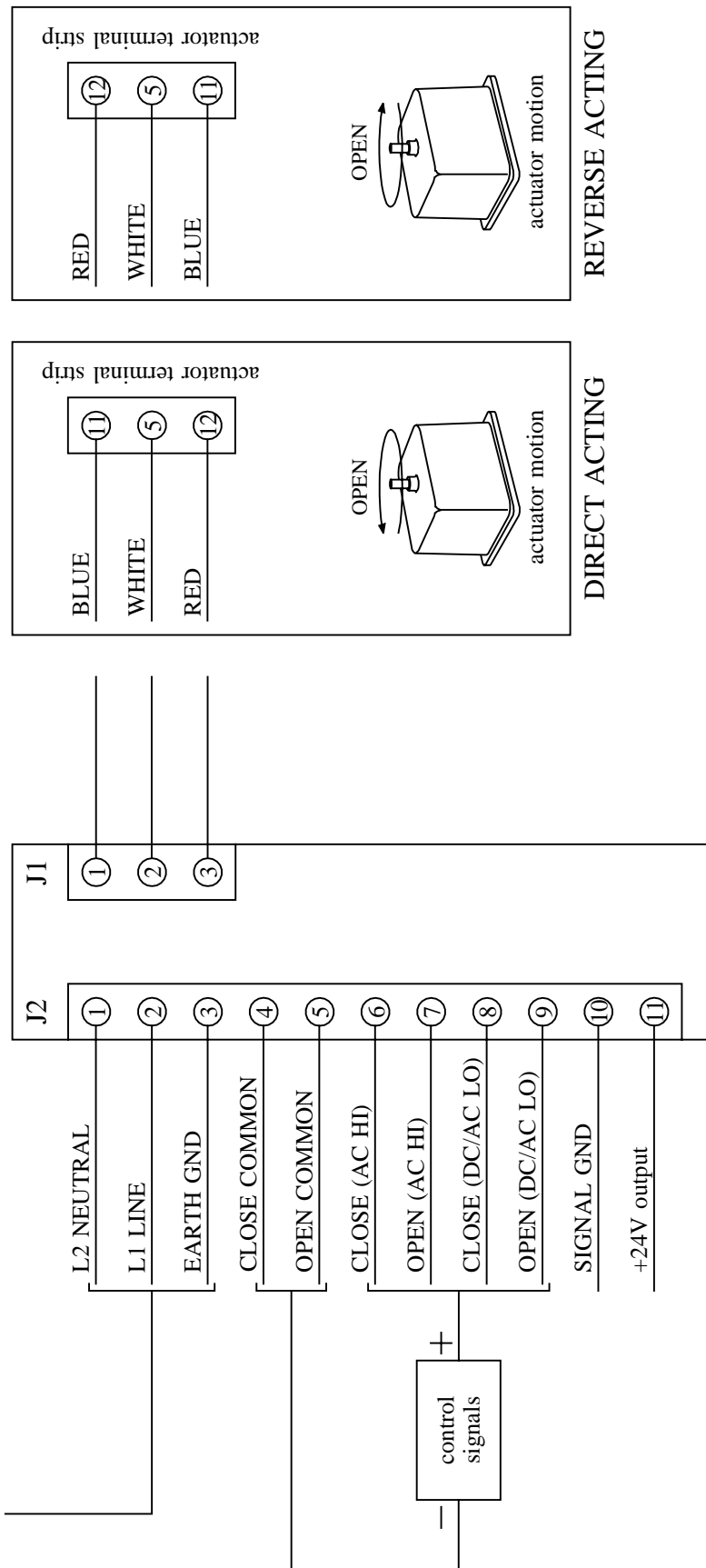
ITEM	QTY	DESCRIPTION
A	1	mounting bracket
B	2	#6-32 X 0.75" pan head screw
C	2	5mm/0.8mm X 10mm socket head cap screw
D	4	#6-32 X 0.375" pan head screw
E	2	5mm split ring lockwasher
F	4	#6 split ring lockwasher
not shown	1	12" red wire
not shown	1	12" blue wire
not shown	1	12" white wire
not shown	2	6.3" nylon tie wrap

AC ON/OFF CONTROLLERS

WIRING DIAGRAM

HKC HQ-015, -020, -030, -050, -060, -080, -120, -200, -300 Actuators

117VAC AMI-103
234VAC AMI-103A



AC SEQUENCE TIMERS

WIRING DIAGRAM

HKC HQ-015, -020, -030 Actuators

117VAC AST-100
234VAC AST-100A

