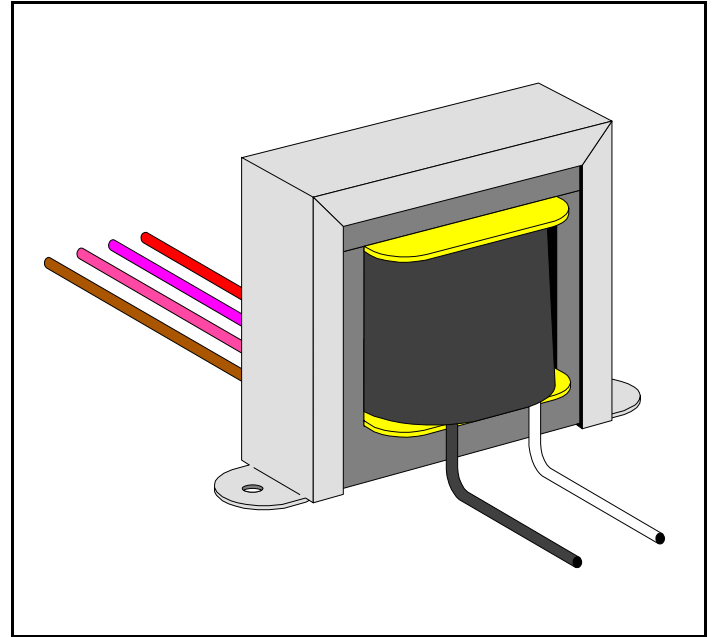


XFR-100

Step Down Controls Transformer

The Peaktronics XFR-100 Step-Down Transformer is ideally suited for powering 115VAC electronic controls, indicators, and heaters commonly used in 3-phase actuator applications. The unit has three primary taps that can accept 440VAC, 380VAC, or 230VAC and steps it down to an electrically isolated 115VAC secondary.

The unit has two mounting tabs for screw mounting. The primary and secondary leads come 18" long and exit from the bottom of the unit to minimize space requirements. The unit also comes with two wire nuts to cap off the unused primary windings.



SPECIFICATIONS

ELECTRICAL RATINGS

Power Rating	25 VA
Primary Voltage	440, 380, or 230 VAC @ 50/60 Hz
Secondary Voltage	115 VAC
Isolation Voltage	1500 VRMS

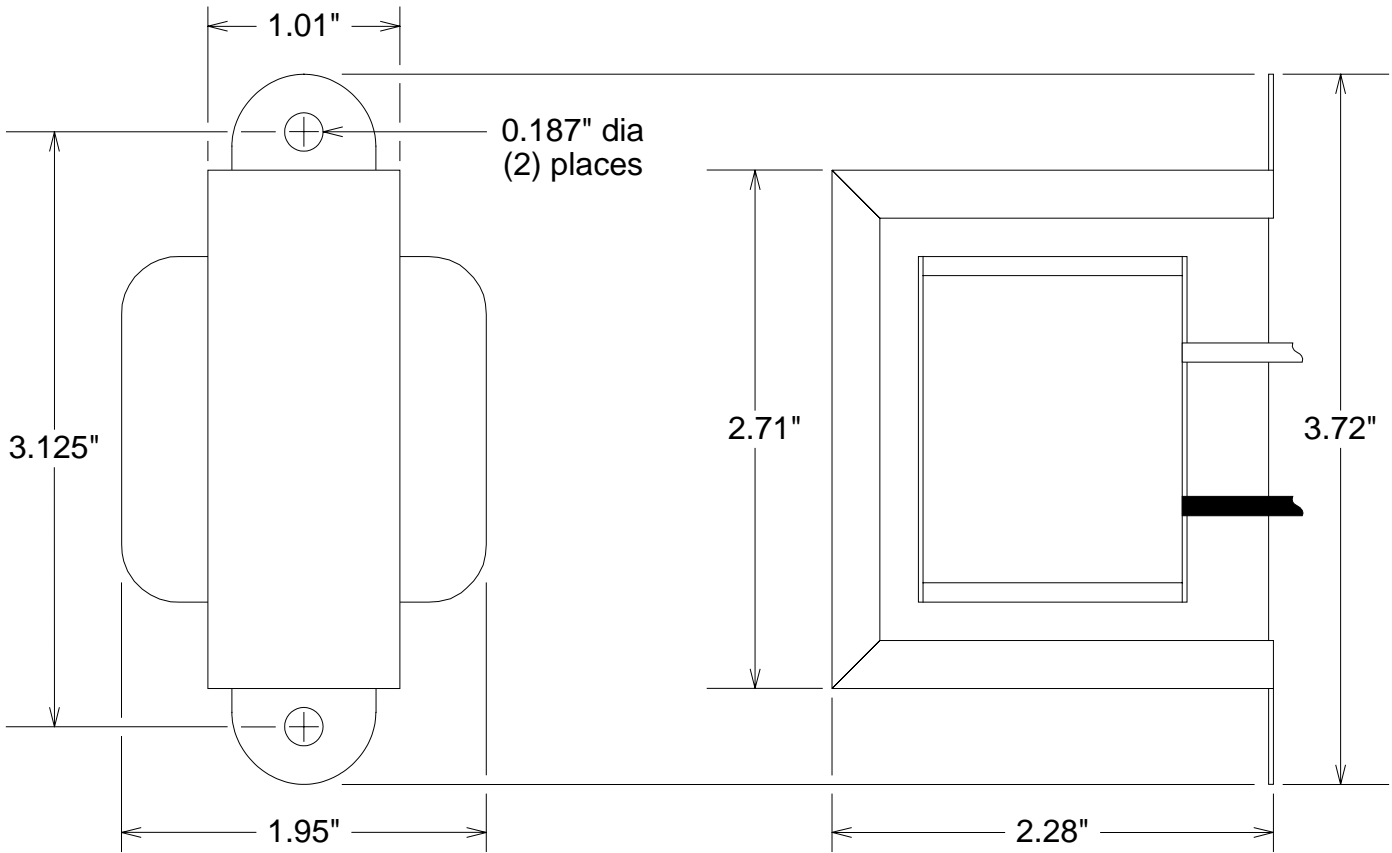
MECHANICAL

Primary/Secondary Leads	22 AWG
Lead Length	18"

ENVIRONMENTAL

Operating Temperature Range	0 to 60 °C
Storage Temperature	-40 to 85 °C
Relative Humidity	0 to 90 % (non-condensing)

OUTLINE



ELECTRICAL DIAGRAM

NOTE: Use the two wire nuts provided to cap off the unused primary windings.

