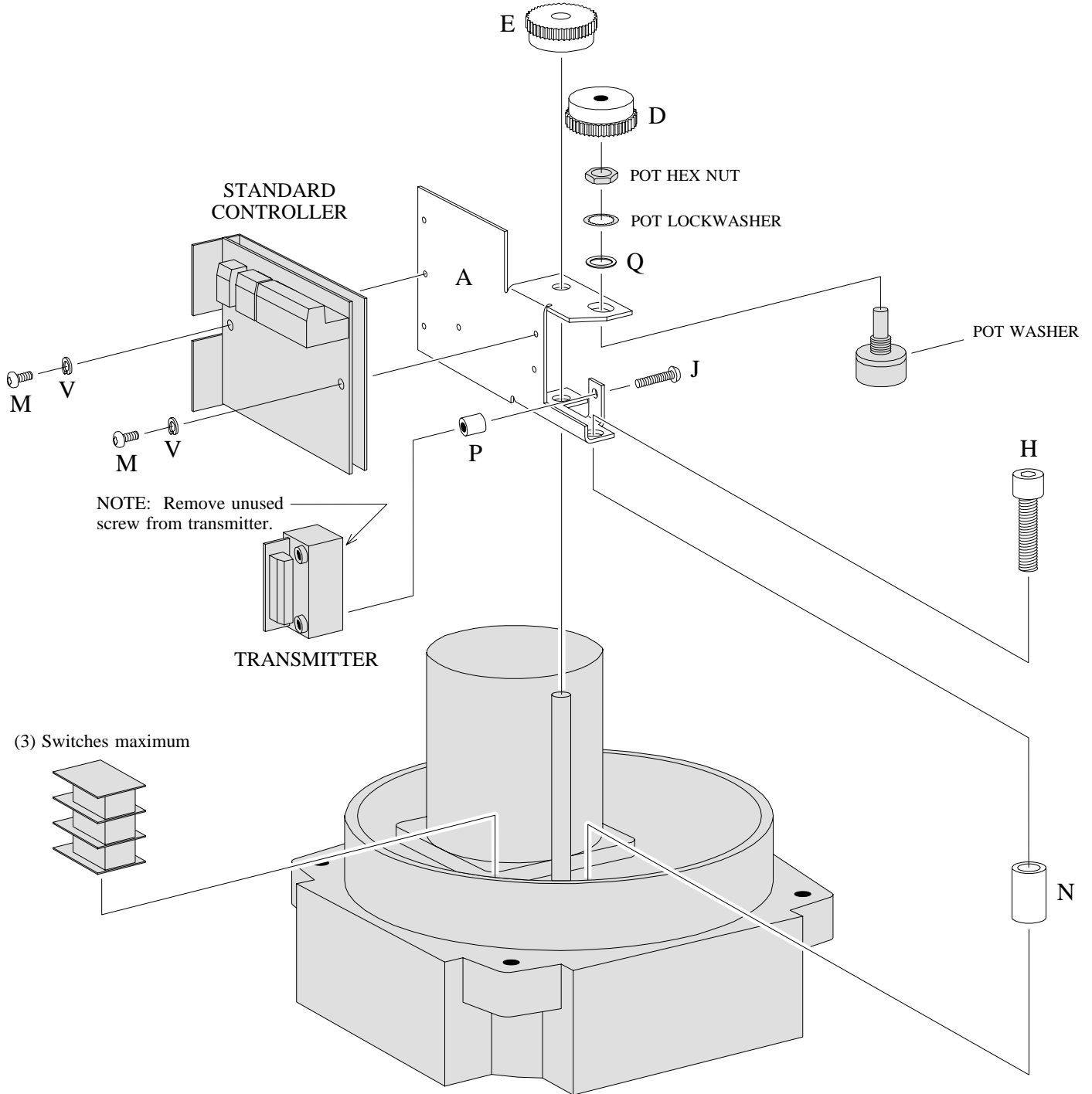


### ASSEMBLY DIAGRAM

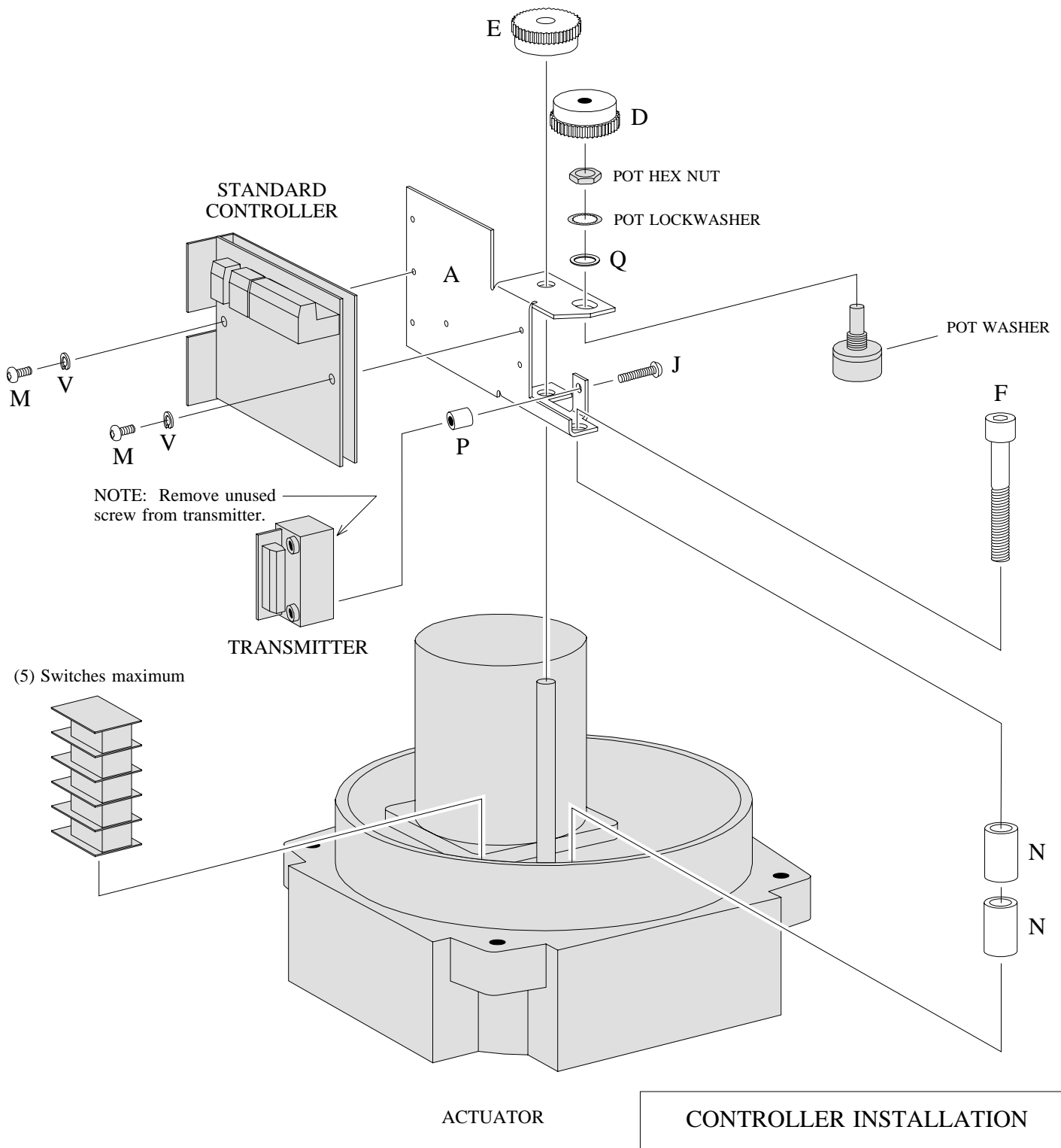
Noah NA15, 19 3-phase Actuators



CONTROLLER INSTALLATION

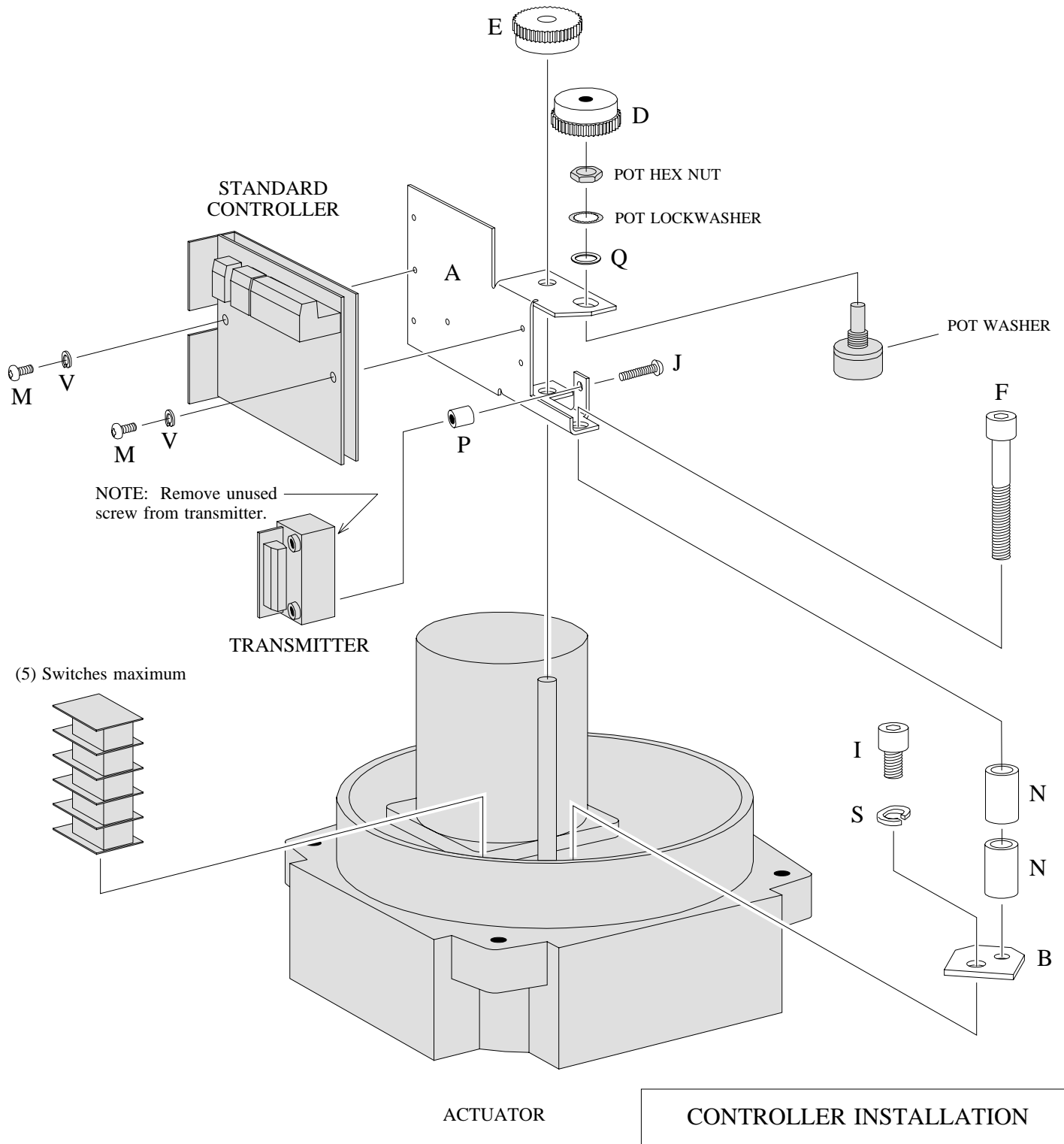
ASSEMBLY DIAGRAM

Noah NA28, 38, 50 3-phase Actuators



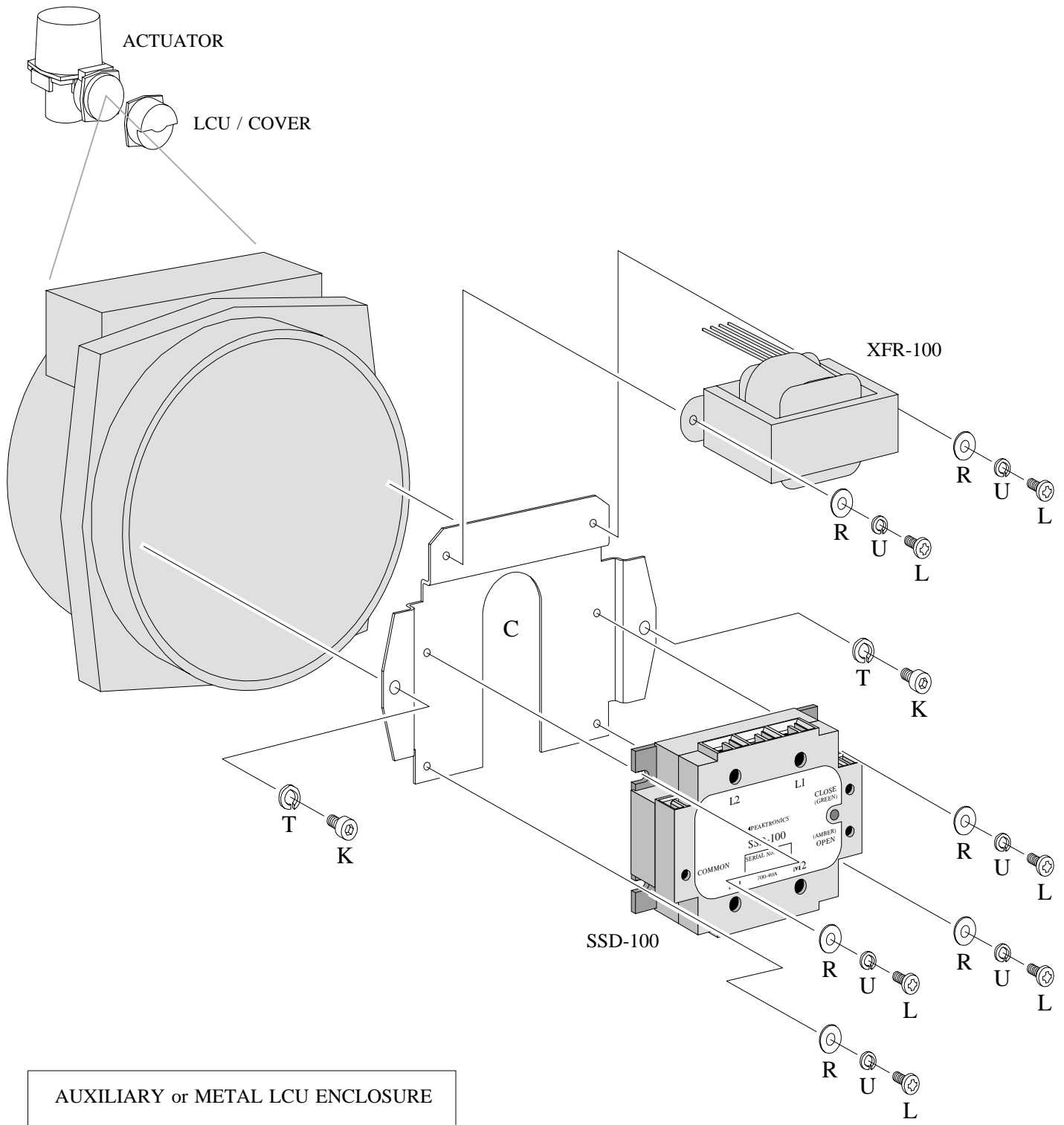
ASSEMBLY DIAGRAM

Noah NA60, 80, 100, 150, 200, 250 3-phase Actuators

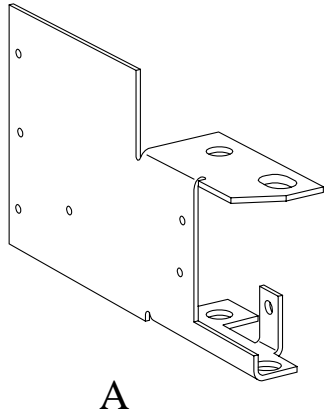


ASSEMBLY DIAGRAM

Noah NA15, 19, 28, 38, 50, 60, 80, 100, 150, 200, 250 3-phase Actuators



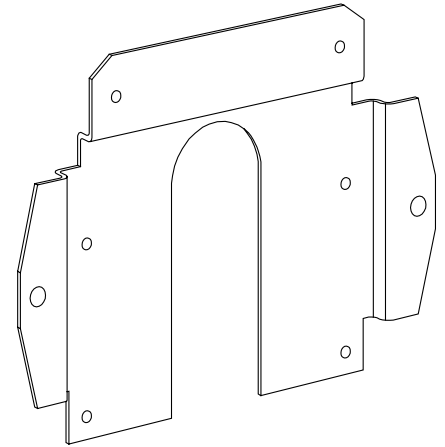
# KIT CONTENTS



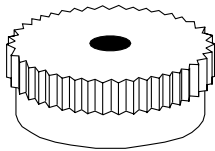
A



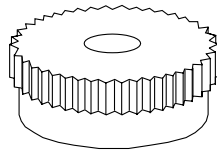
B



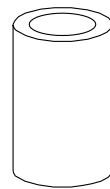
C



D



E



N



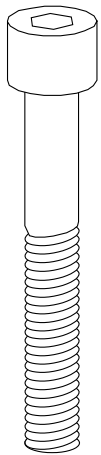
P



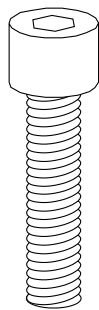
Q



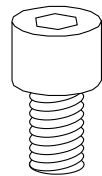
R



F



H



I



S



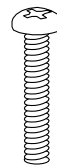
T



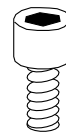
U



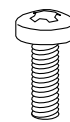
V



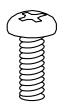
J



K



L



M

## KIT CONTENTS continued

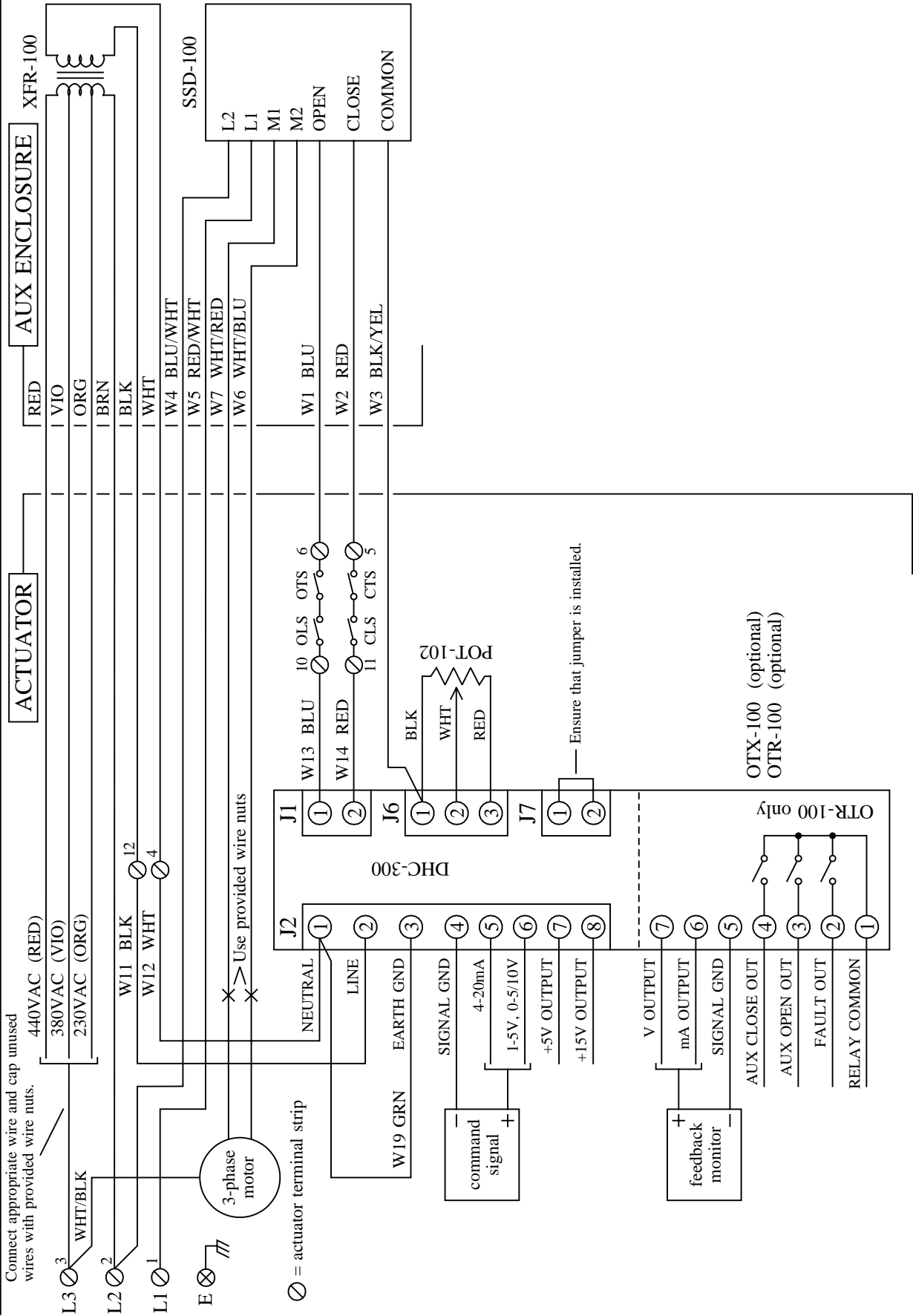
ITEM	QTY	DESCRIPTION
A	1	actuator bracket
B	1	adpator plate (for NA60, 80, 100, 150, 200, 250)
C	1	LCU/auxiliary enclosure bracket
D	1	potentiometer gear
E	1	output shaft gear
F	1	8mm/1.25mm x 50mm socket head cap screw
H	1	8mm/1.25mm x 30mm socket head cap screw
I	1	8mm/1.25mm x 12mm socket head cap screw
J	1	#6-32 x 0.75" pan head screw
K	2	5mm/0.8mm x 10mm socket head cap screw
L	6	#8-32 x 0.375" pan head screw
M	2	#6-32 x 0.375" pan head screw
N	2	0.787" nylon spacer (0.562" O.D.)
P	1	0.375" nylon spacer (0.25" O.D.)
Q	1	potentiometer anti-slip washer
R	6	#8 flat washer
S	1	8mm split ring lockwasher
T	2	5mm split ring lockwasher
U	6	#8 split ring lockwasher
V	2	#6 split ring lockwasher
W1	1	24" blue wire
W2	1	24" red wire
W3	1	24" black/yellow wire
W4	1	24" blue/white wire
W5	1	24" red/white wire
W6	1	24" white/blue wire
W7	1	24" white/red wire
W8	1	24" white/black wire with spade terminal
W9	1	18" brown wire with spade terminal
W10	1	18" white wire with spade terminal
W11	1	16" black wire
W12	1	16" white wire
W13	1	16" blue wire
W14	1	16" red wire
W15	1	14" orange wire with spade terminal
W16	1	5" black wire
W17	1	4" orange wire
W18	1	4" white/black wire
W19	1	2.5" green wire
not shown	1	22-18 AWG spade terminal
not shown	2	22-14 AWG wire nut
not shown	12	6.3" nylon tie wrap

# 3-PHASE DIGITAL POSITIONER

Noah NA15, 19, 28, 38, 50, 60, 80, 100, 150, 200, 250 3-phase Actuators

## WIRING DIAGRAM

Connect appropriate wire and cap unused wires with provided wire nuts.



### 3-PHASE DIGITAL POSITIONER with LCU

Noah NA15, 19, 28, 38, 50, 60, 80, 100, 150, 200, 250 3-phase Actuators

#### WIRING DIAGRAM

Connect appropriate wire and cap unused wires with provided wire nuts.

