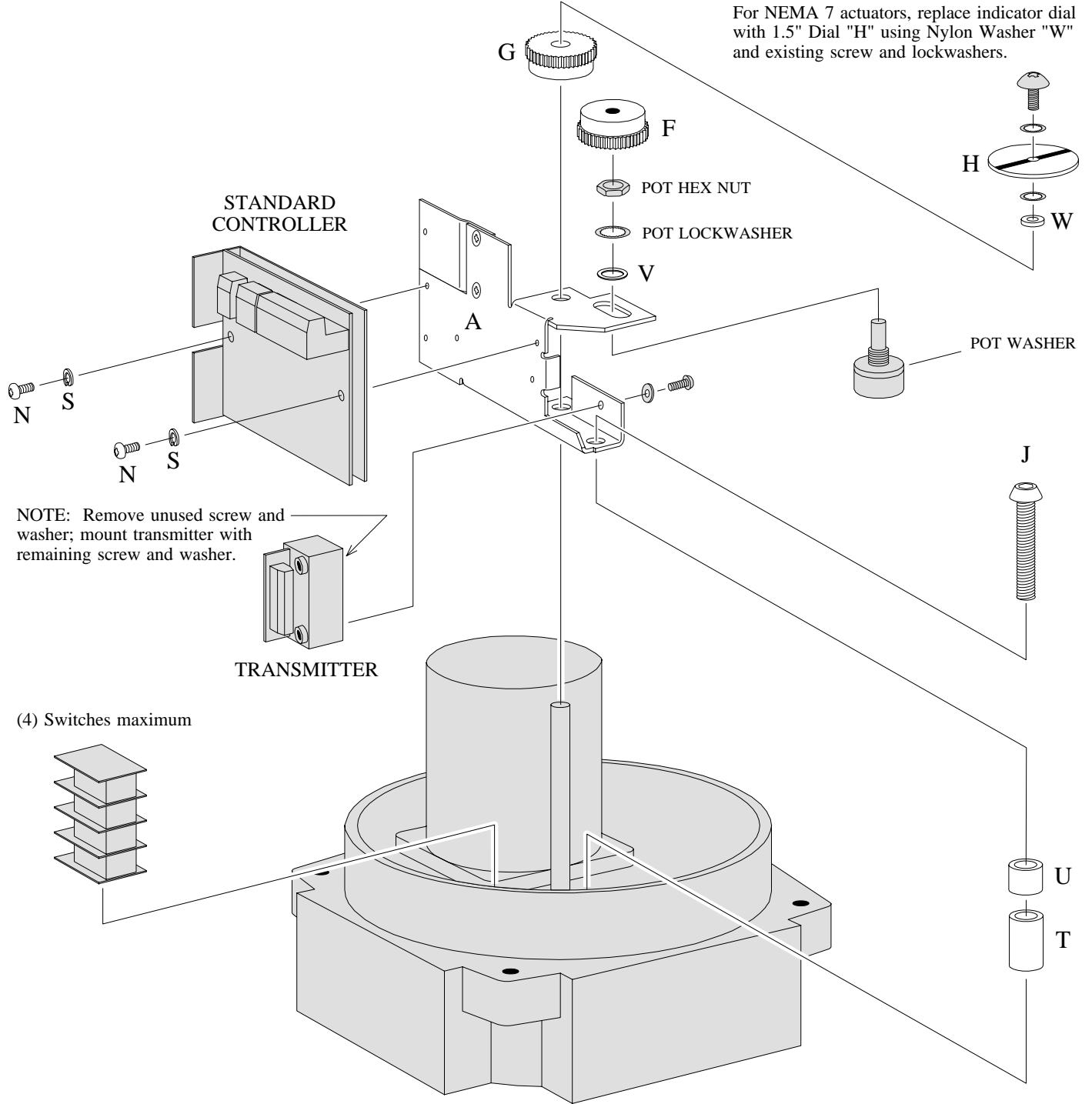


### ASSEMBLY DIAGRAM

Noah NA015, 019 3-phase Actuators



For NEMA 7 actuators, replace indicator dial with 1.5" Dial "H" using Nylon Washer "W" and existing screw and lockwashers.

NOTE: Remove unused screw and washer; mount transmitter with remaining screw and washer.

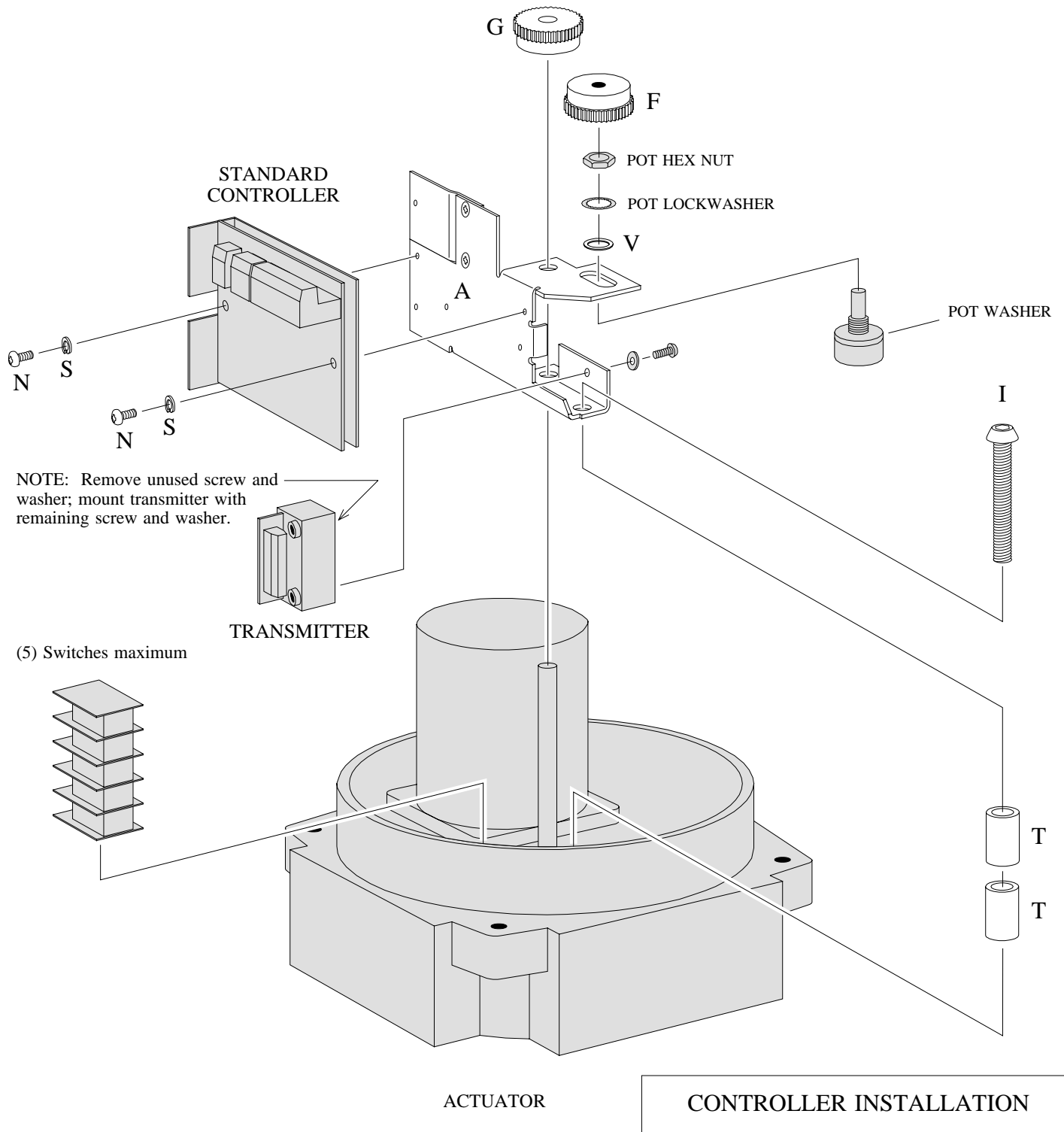
(4) Switches maximum

ACTUATOR

CONTROLLER INSTALLATION

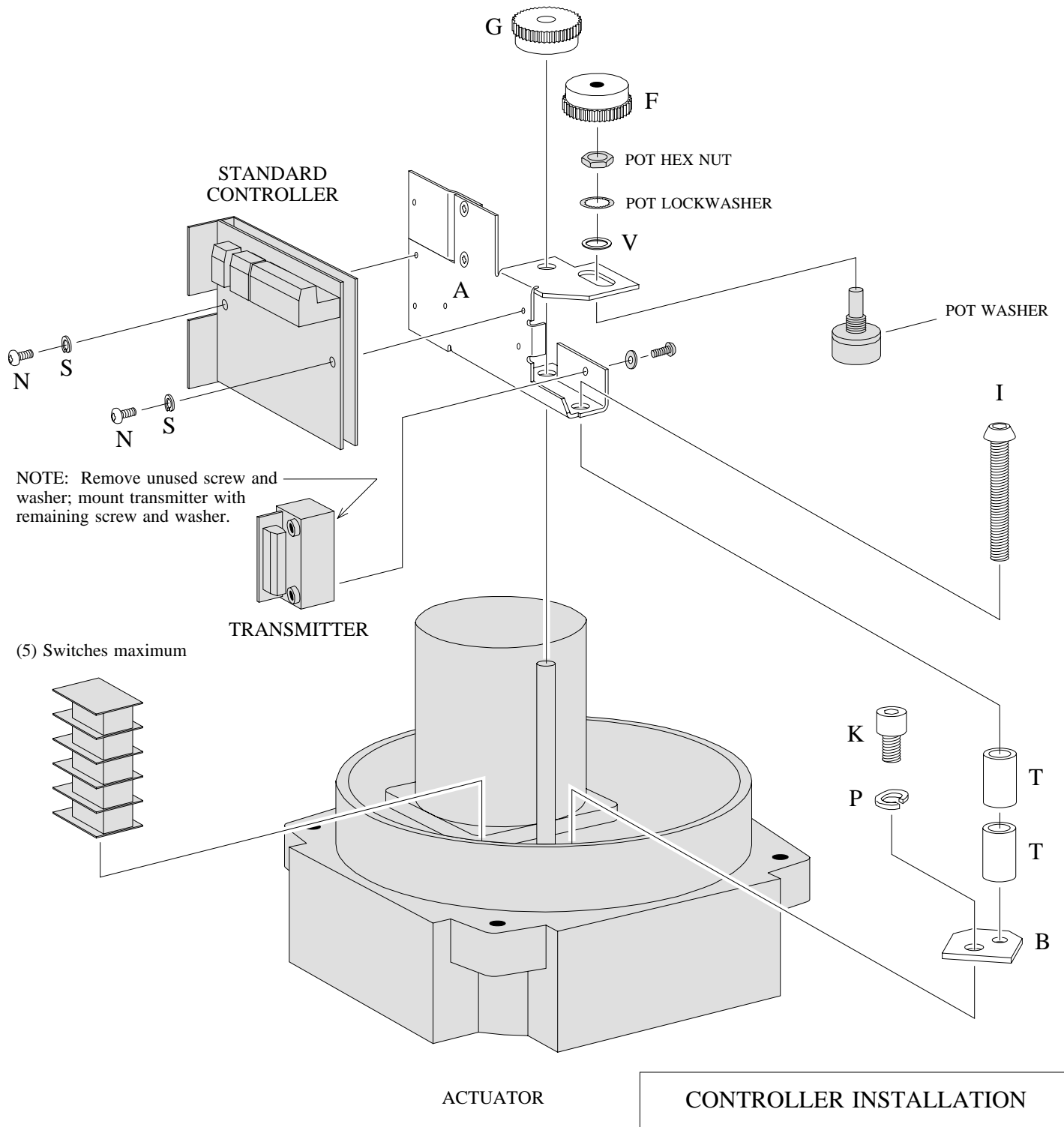
ASSEMBLY DIAGRAM

Noah NA028, 038, 050 3-phase Actuators



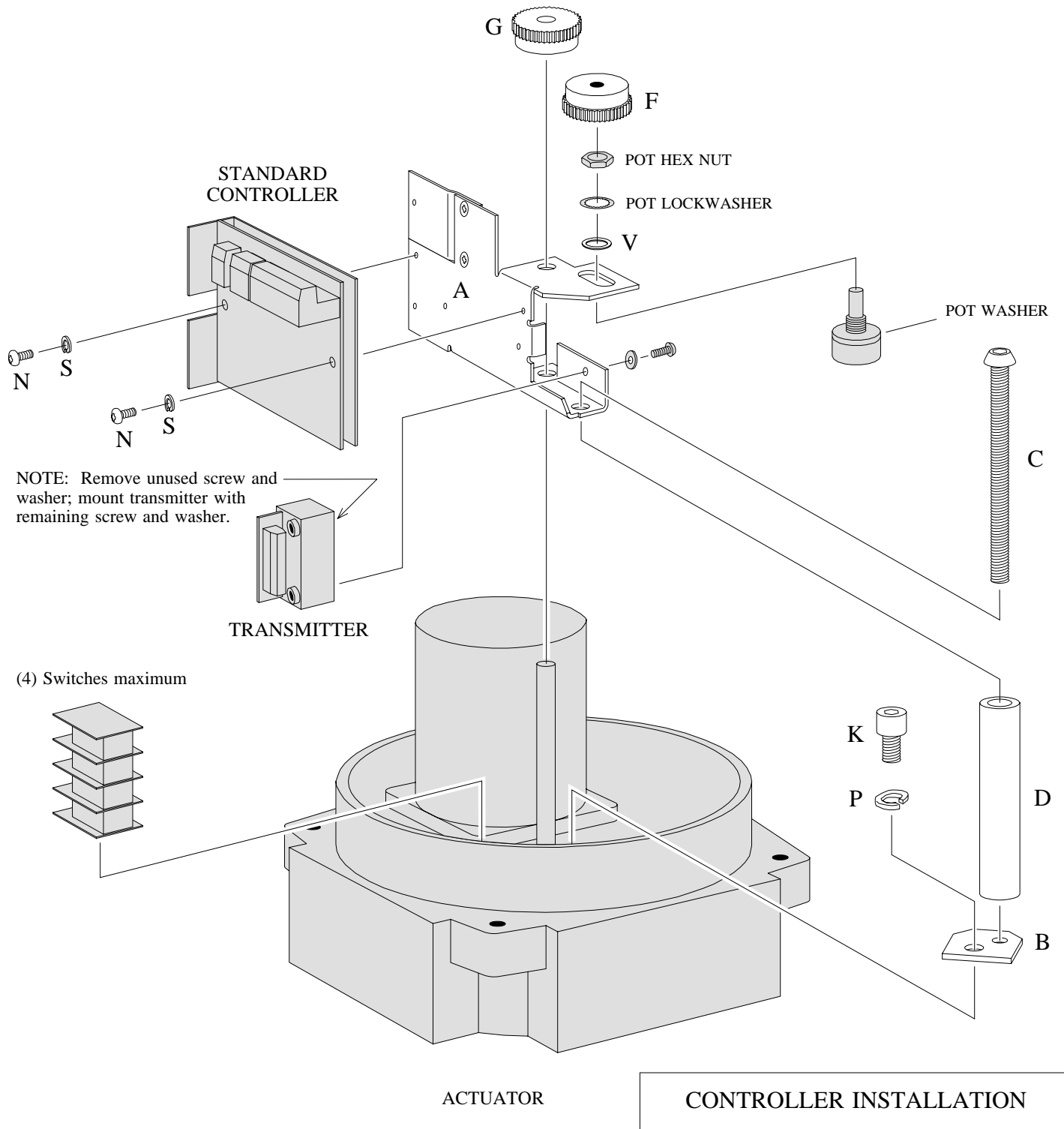
ASSEMBLY DIAGRAM

Noah NA060, 080, 100, 150, 200, 250 3-phase Actuators

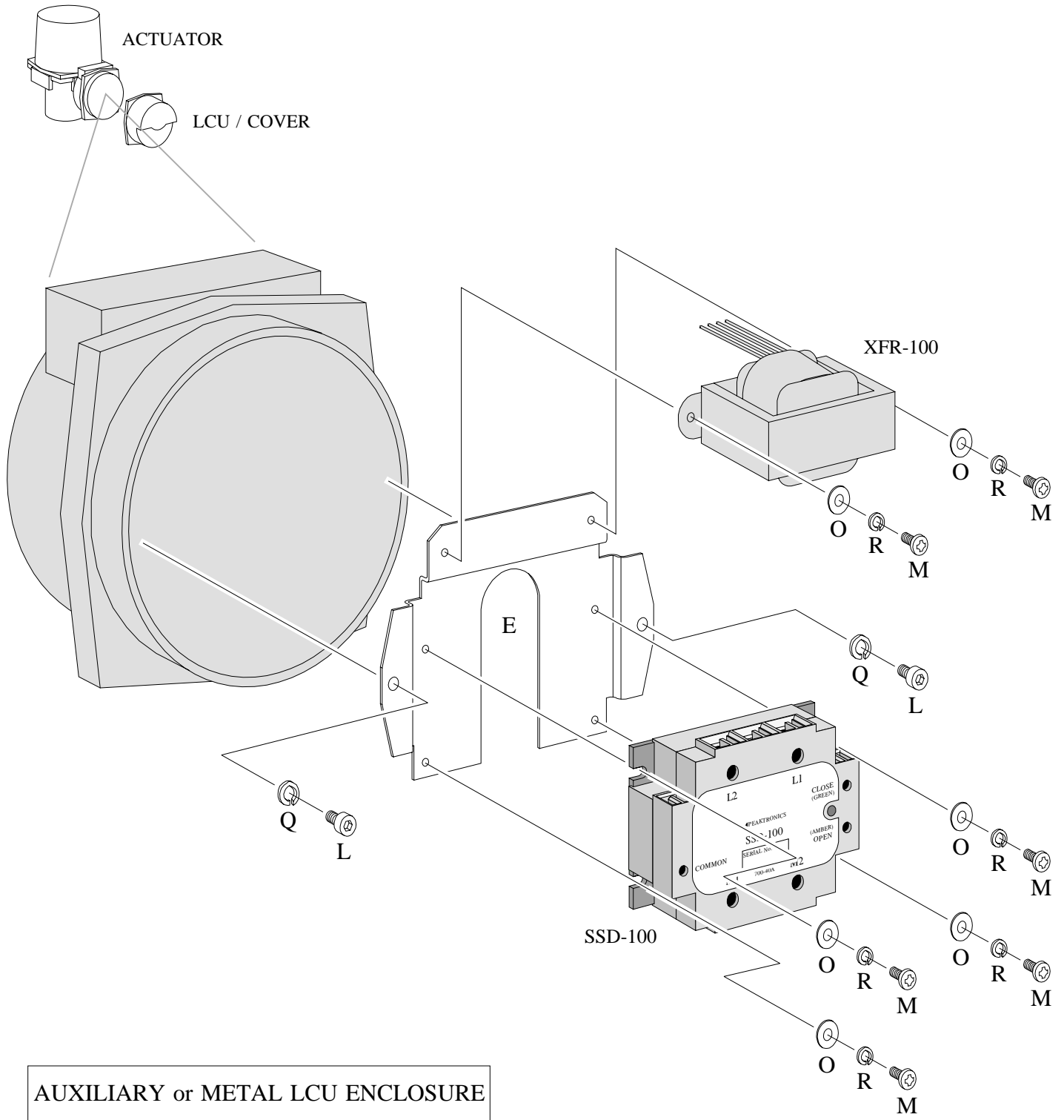


ASSEMBLY DIAGRAM

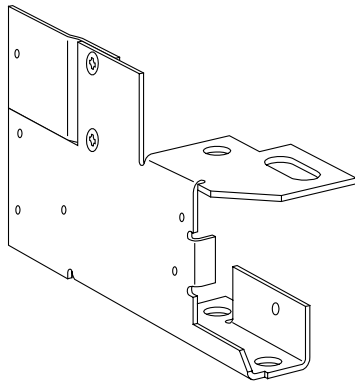
Noah NA300, 350 3-phase Actuators



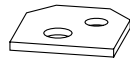
ASSEMBLY DIAGRAM Noah NA015, 019, 028, 038, 050, 060, 080, 100, 150, 200, 250, 300, 350 3-phase Actuators



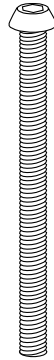
# KIT CONTENTS



A



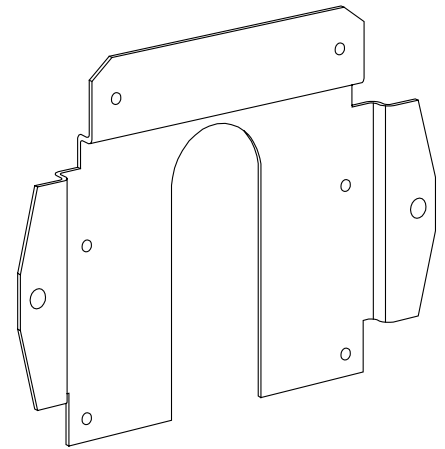
B



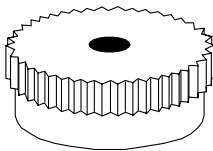
C



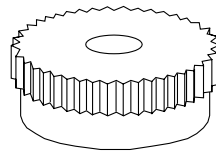
D



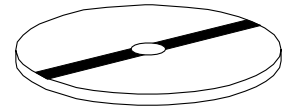
E



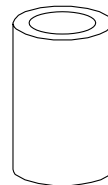
F



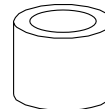
G



H



T



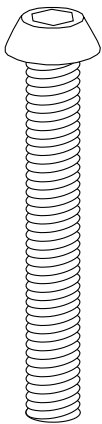
U



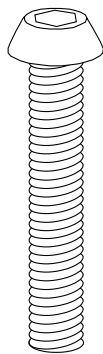
V



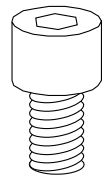
W



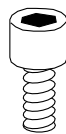
I



J



K



L



P



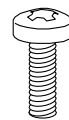
Q



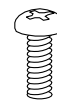
R



S



M



N



O

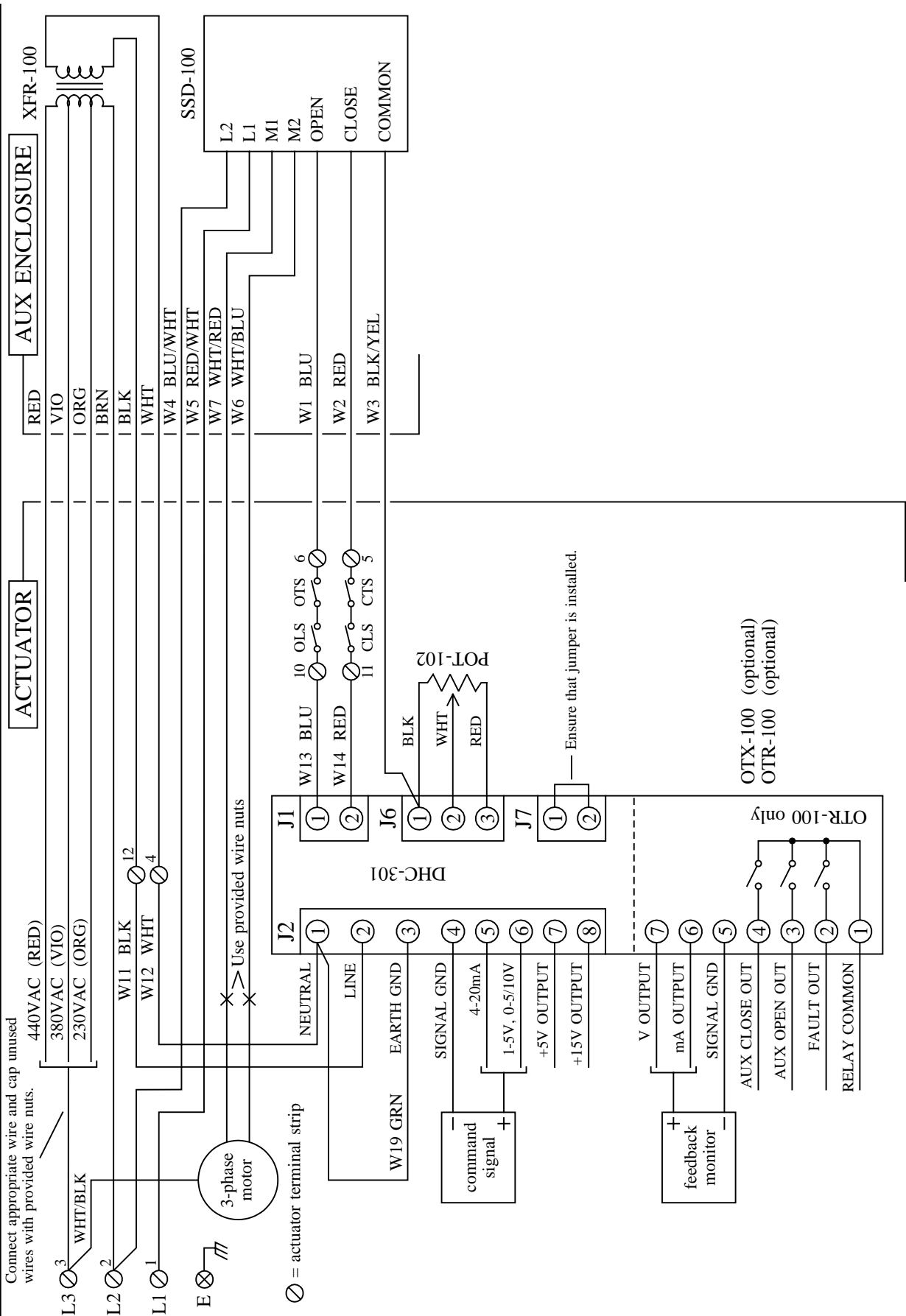
**KIT CONTENTS** continued

ITEM	QTY	DESCRIPTION
A	1	actuator bracket
B	1	adpator plate (for NA060, 080, 100, 150, 200, 250, 300, 350)
C	1	8mm/1.25mm x 90mm button head cap screw
D	1	3.1" round spacer
E	1	LCU/auxiliary enclosure bracket
F	1	potentiometer gear
G	1	output shaft gear
H	1	1.5" indicator dial (NEMA 7)
I	1	8mm/1.25mm x 50mm button head cap screw
J	1	8mm/1.25mm x 40mm button head cap screw
K	1	8mm/1.25mm x 12mm socket head cap screw
L	2	5mm/0.8mm x 10mm socket head cap screw
M	6	#8-32 x 0.375" pan head screw
N	2	#6-32 x 0.375" pan head screw
O	6	#8 flat washer
P	1	8mm split ring lockwasher
Q	2	5mm split ring lockwasher
R	6	#8 split ring lockwasher
S	2	#6 split ring lockwasher
T	2	0.787" nylon spacer (0.562" O.D.)
U	1	0.394" nylon spacer (0.562" O.D.)
V	1	potentiometer anti-slip washer
W	1	#10 nylon washer, 0.062" thick (NEMA 7)
not shown	4	5mm/0.8mm x 10mm button head cap screw (NEMA 7)
W1	1	24" blue wire
W2	1	24" red wire
W3	1	24" black/yellow wire
W4	1	24" blue/white wire
W5	1	24" red/white wire
W6	1	24" white/blue wire
W7	1	24" white/red wire
W8	1	24" white/black wire with spade terminal
W9	1	18" brown wire with spade terminal
W10	1	18" white wire with spade terminal
W11	1	16" black wire
W12	1	16" white wire
W13	1	16" blue wire
W14	1	16" red wire
W15	1	14" orange wire with spade terminal
W16	1	5" black wire
W17	1	4" orange wire
W18	1	4" white/black wire
W19	1	2.5" green wire
not shown	1	22-18 AWG spade terminal
not shown	2	22-14 AWG wire nut
not shown	12	6.3" nylon tie wrap

# 3-PHASE DIGITAL POSITIONER

## WIRING DIAGRAM

Noah NA015, 019, 028, 038, 050, 060, 080, 100, 150, 200, 250, 300, 350 3-phase Actuators





### 3-PHASE DIGITAL POSITIONER with LCU

Noah NA015, 019, 028, 038, 050, 060, 080, 100, 150, 200, 250, 300, 350 3-phase Actuators

#### WIRING DIAGRAM

Connect appropriate wire and cap unused wires with provided wire nuts.

