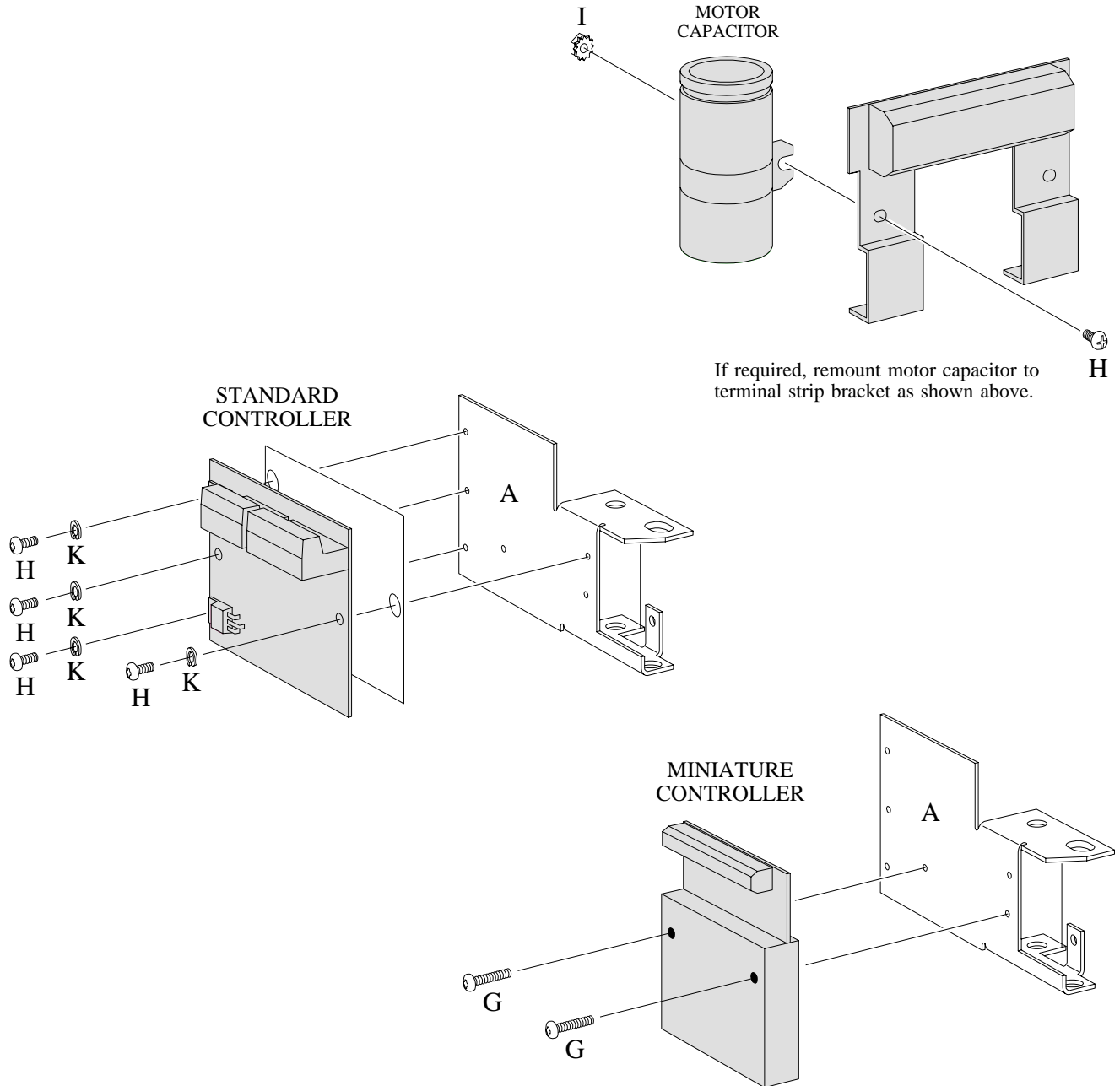


ASSEMBLY DIAGRAM

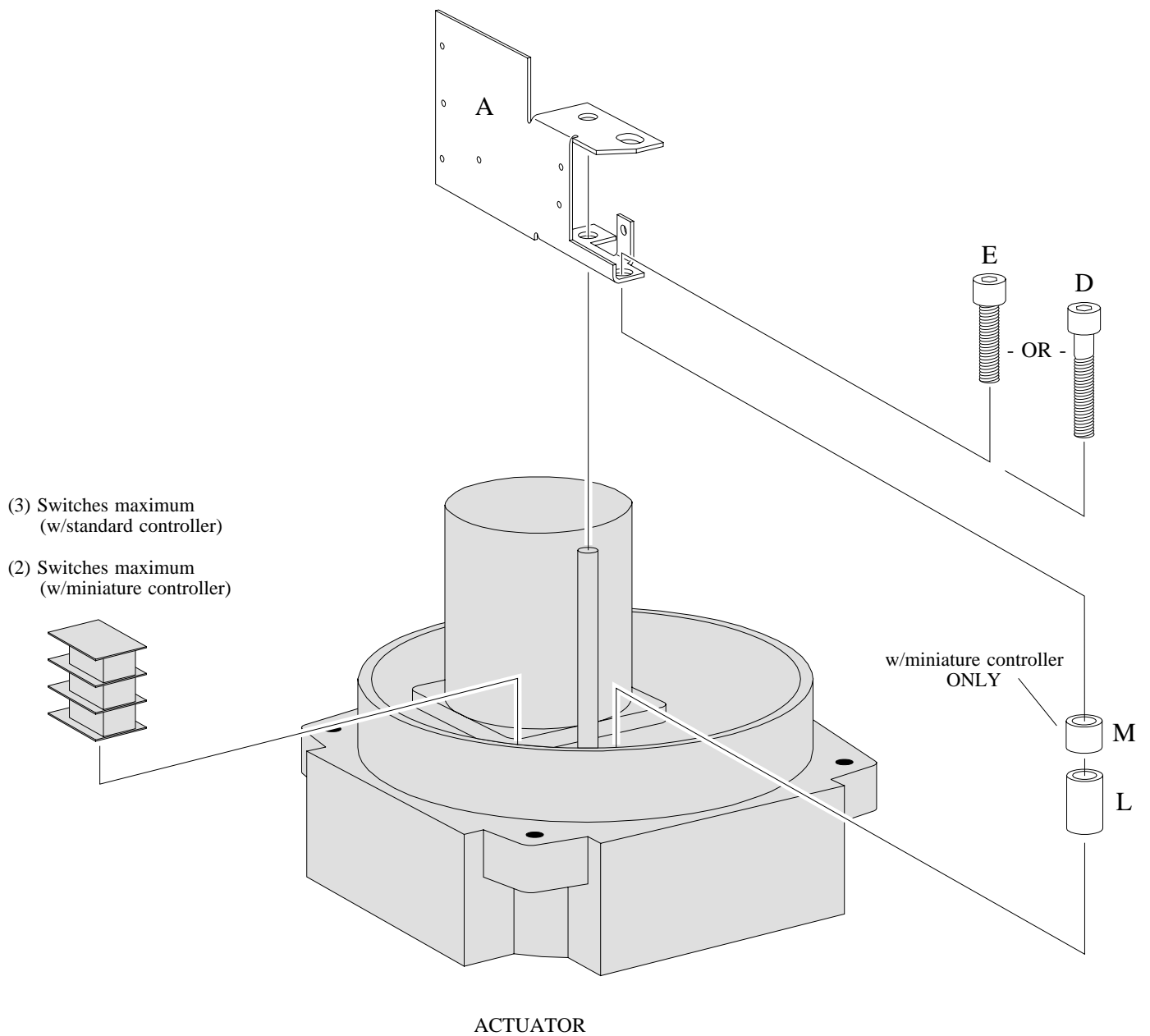
Noah NA15, 19, 28, 38, 50, 60, 80, 100, 150, 200, 250 Actuators



CONTROLLER INSTALLATION

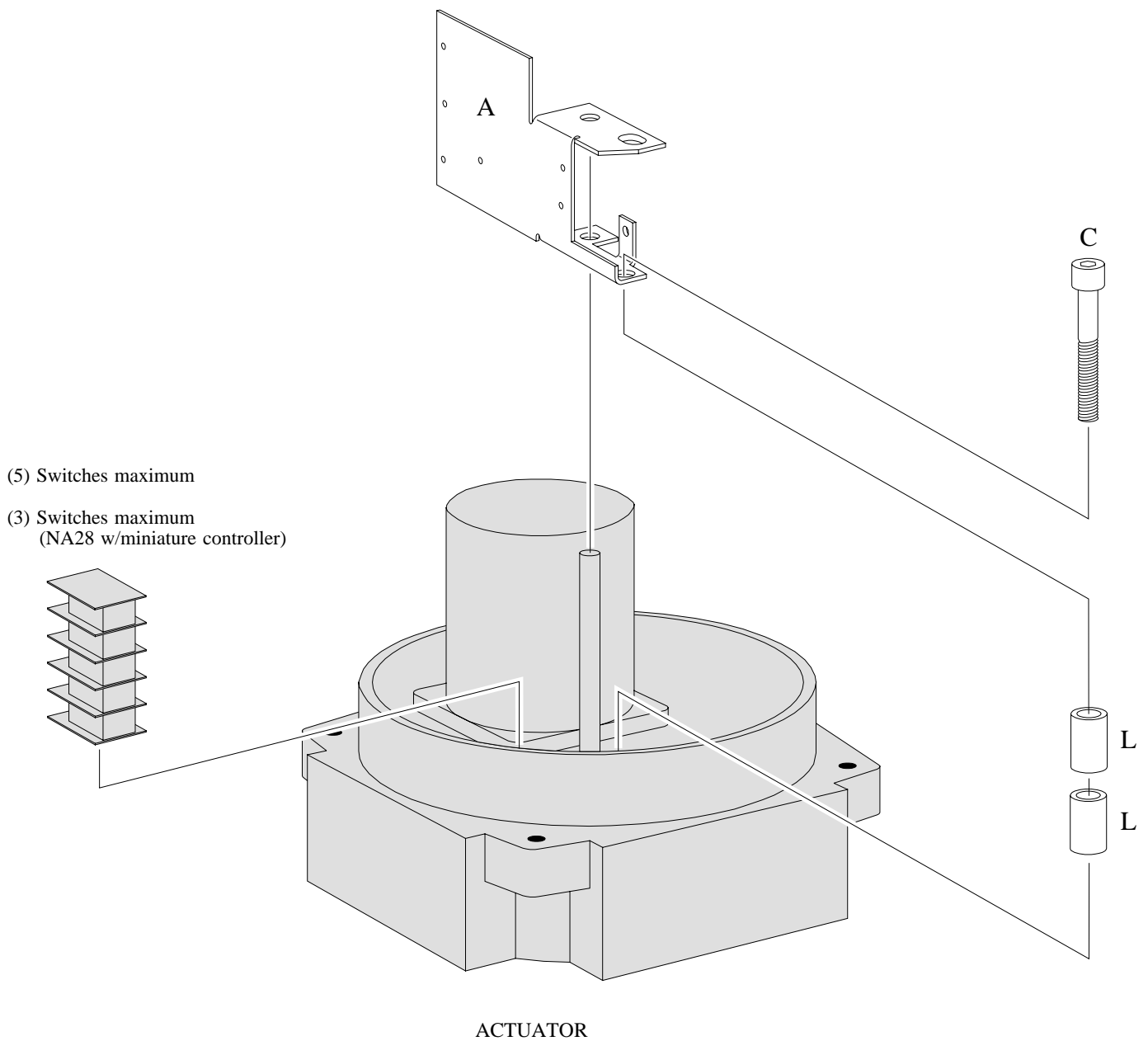
ASSEMBLY DIAGRAM

Noah NA15, 19 Actuators



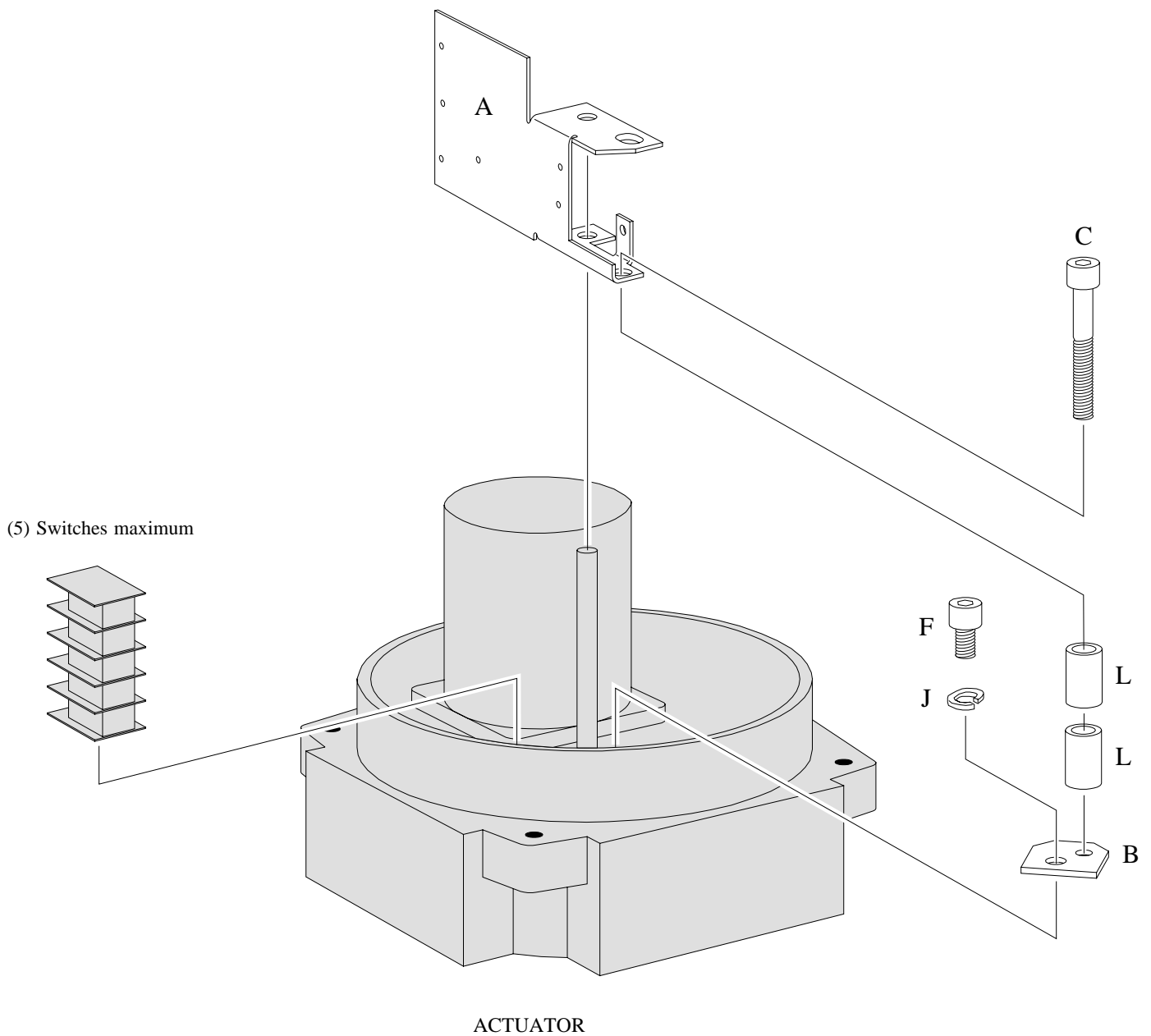
ASSEMBLY DIAGRAM

Noah NA28, 38, 50 Actuators

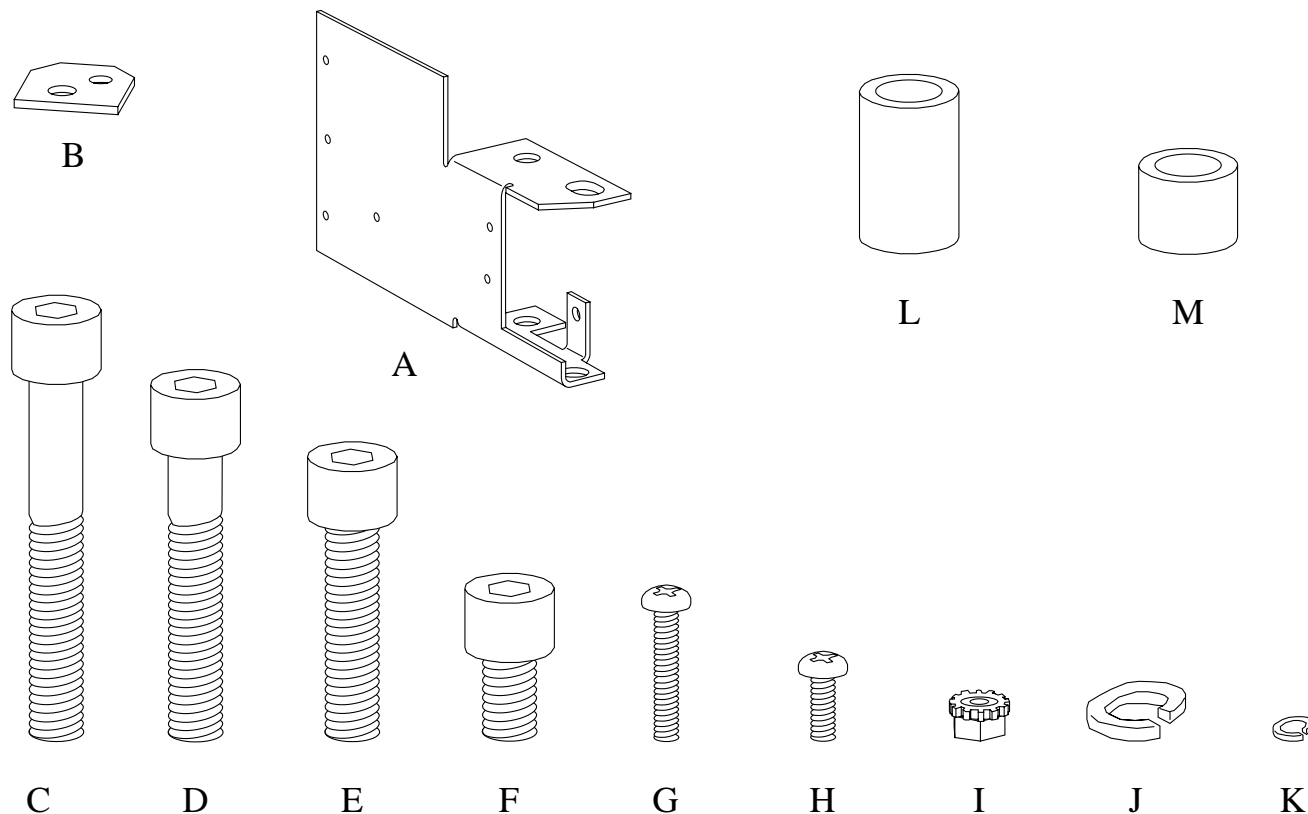


ASSEMBLY DIAGRAM

Noah NA60, 80, 100, 150, 200, 250 Actuators



KIT CONTENTS



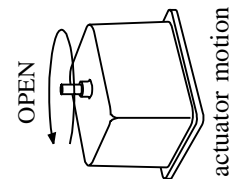
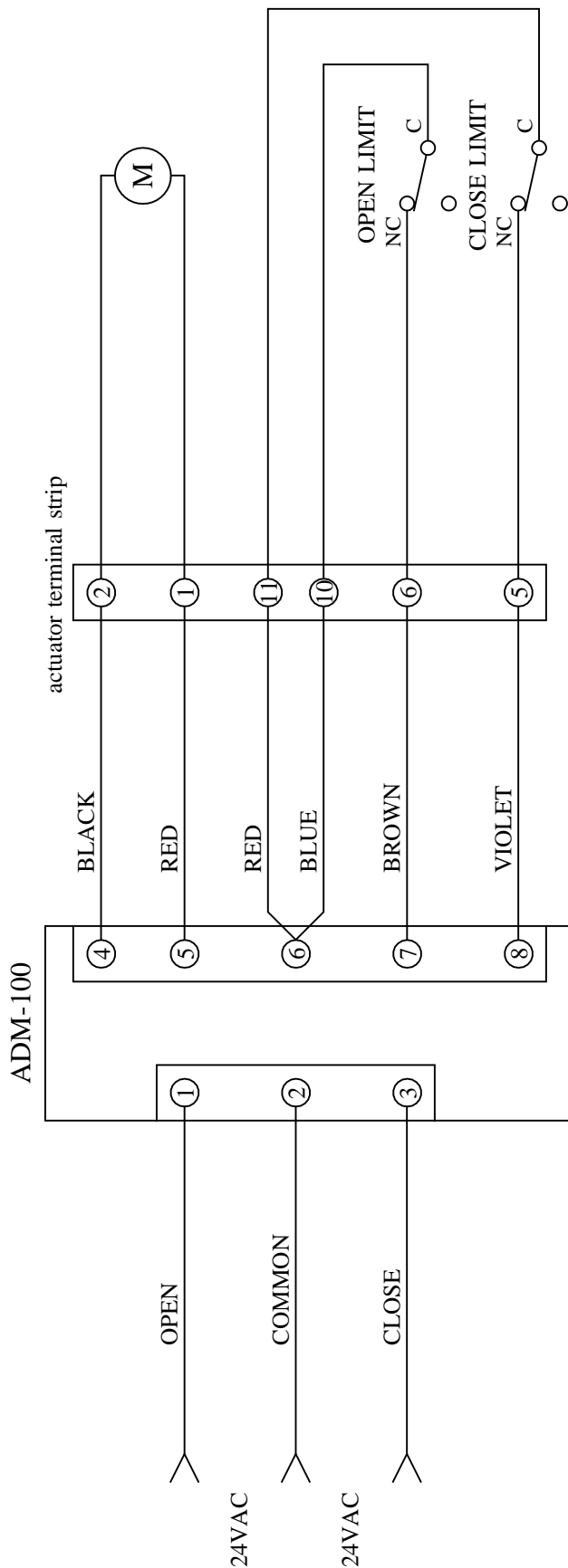
ITEM	QTY	DESCRIPTION
A	1	actuator bracket
B	1	adaptor plate (for NA60, 80, 100, 150, 200, 250)
C	1	8mm/1.25mm x 50mm socket head cap screw
D	1	8mm/1.25mm x 40mm socket head cap screw
E	1	8mm/1.25mm x 30mm socket head cap screw
F	1	8mm/1.25mm x 12mm socket head cap screw
G	2	#6-32 x 0.75" pan head screw
H	5	#6-32 x 0.375" pan head screw
I	1	#6-32 keps nut
J	1	8mm split ring lockwasher
K	4	#6 split ring lockwasher
L	2	0.787" nylon spacer (0.562" O.D.)
M	1	0.394" nylon spacer (0.562" O.D.)
not shown	3	16" red wire
not shown	2	16" white wire
not shown	2	16" blue wire
not shown	1	16" black wire
not shown	1	16" brown wire
not shown	1	16" violet wire
not shown	2	6.3" nylon tie wrap

AC to DC MODULE

WIRING DIAGRAM

Noah NA15, 19, 28 Actuators

The ADM-100 AC to DC Module allows a 24VDC actuator to be controlled like a 24VAC split-phase motor actuator.

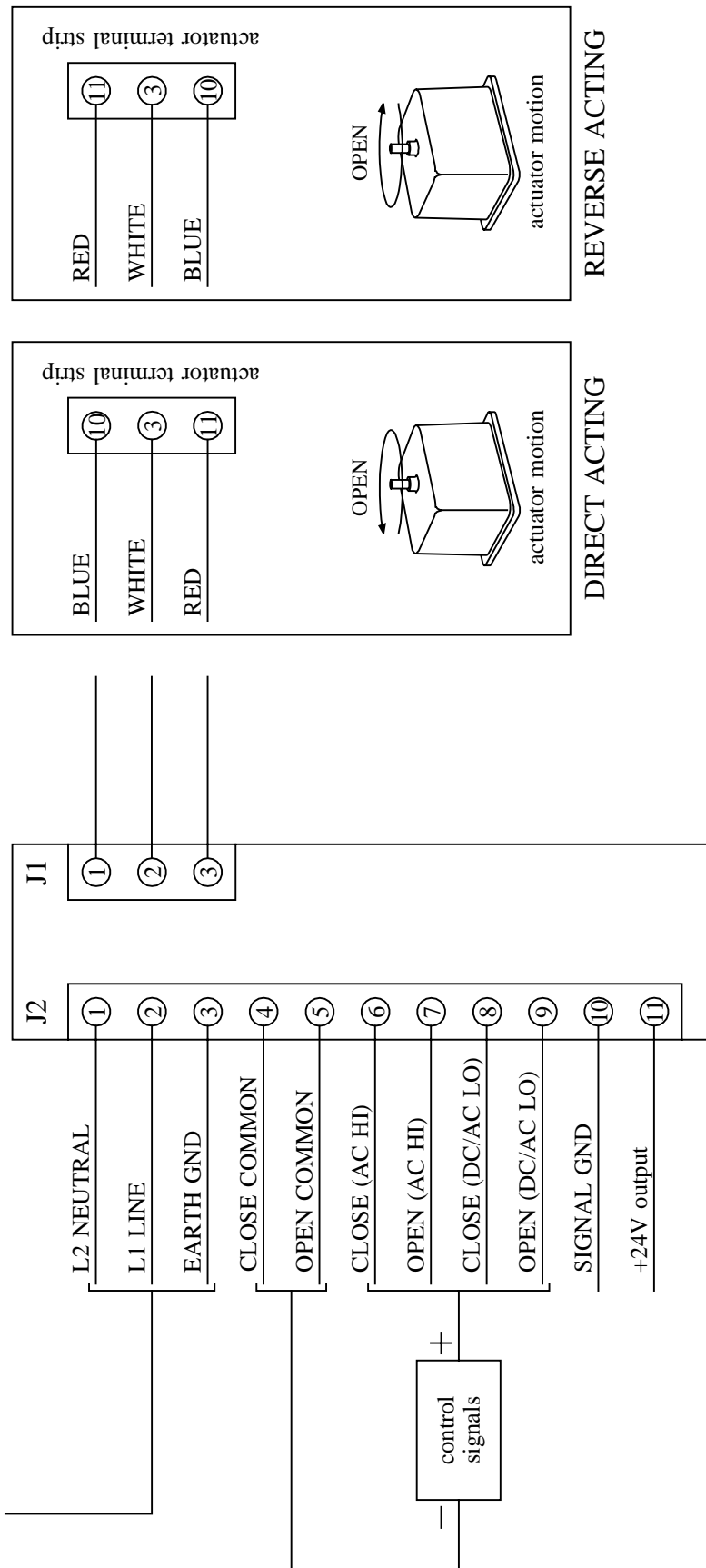


AC ON/OFF CONTROLLERS

WIRING DIAGRAM

Noah NAI5, 19, 28, 38, 50, 60, 80, 100, 150, 200, 250 Actuators

117VAC AMI-103
234VAC AMI-103A

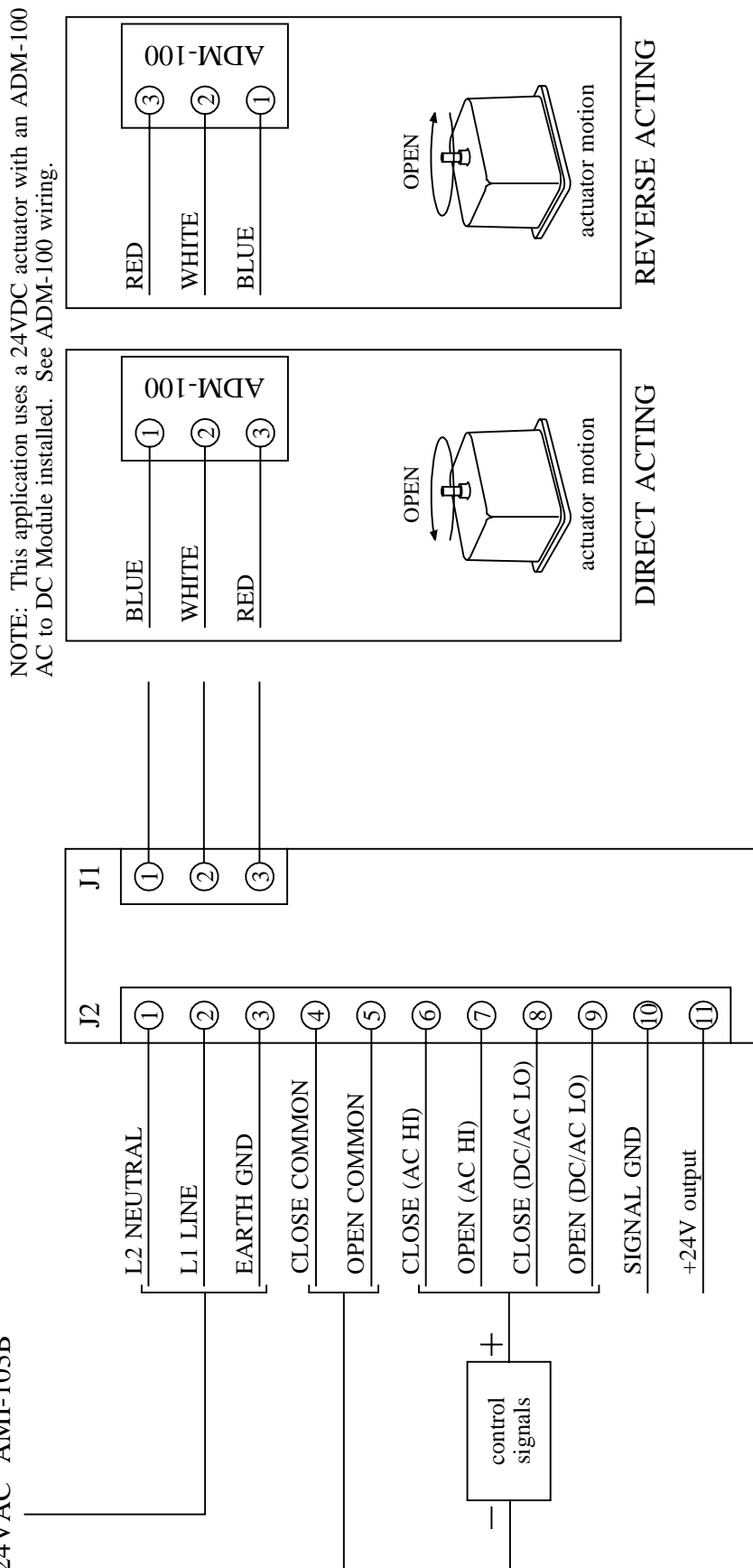


24VAC ON/OFF CONTROLLER

WIRING DIAGRAM

Noah NA15, 19, 28 Actuators

24VAC AMI-103B



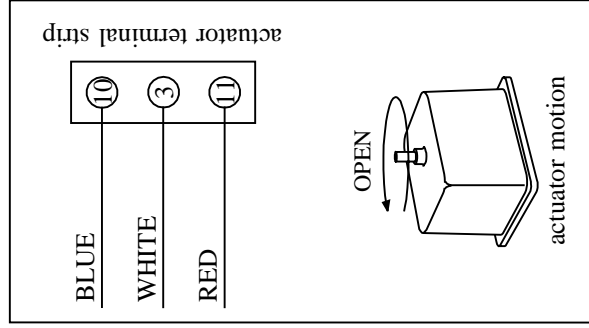
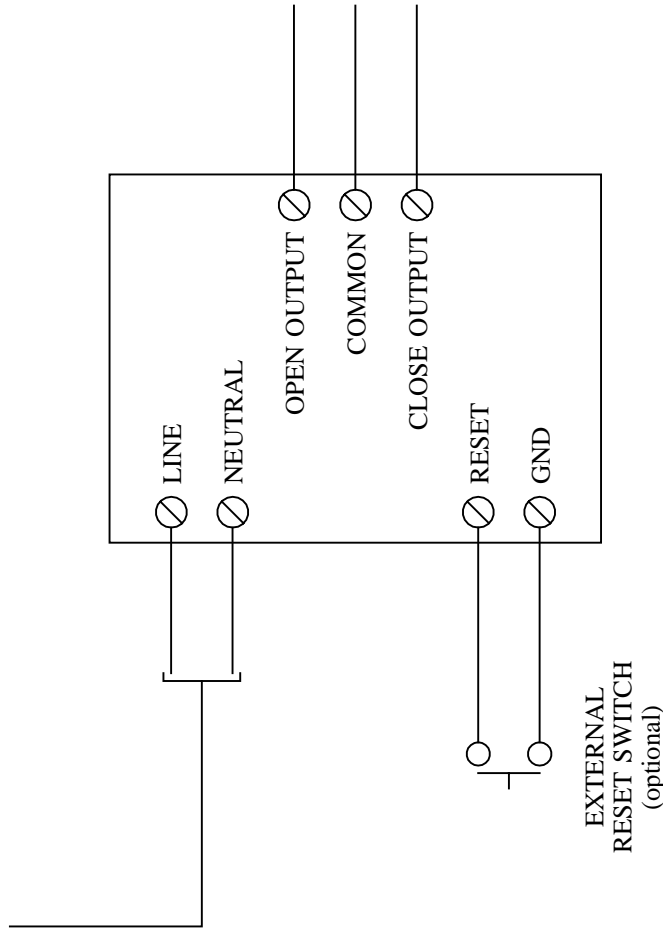
NOTE: This application uses a 24VDC actuator with an ADM-100 AC to DC Module installed. See ADM-100 wiring.

AC SEQUENCE TIMERS

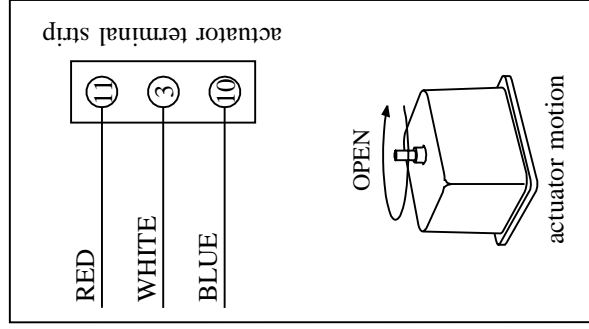
WIRING DIAGRAM

Noah NA15, 19, 28 Actuators

117VAC AST-100
234VAC AST-100A



DIRECT ACTING



REVERSE ACTING