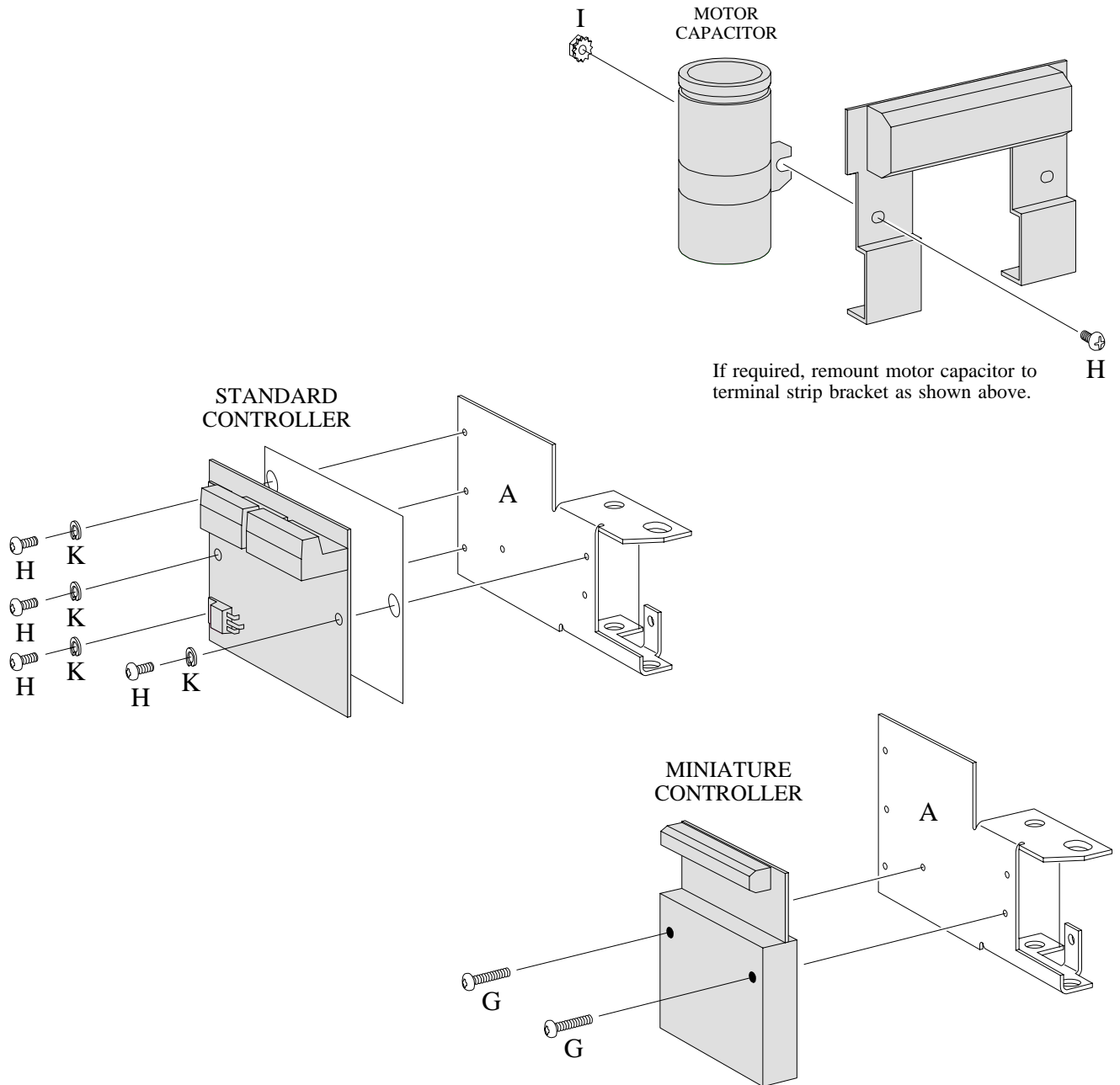


### ASSEMBLY DIAGRAM

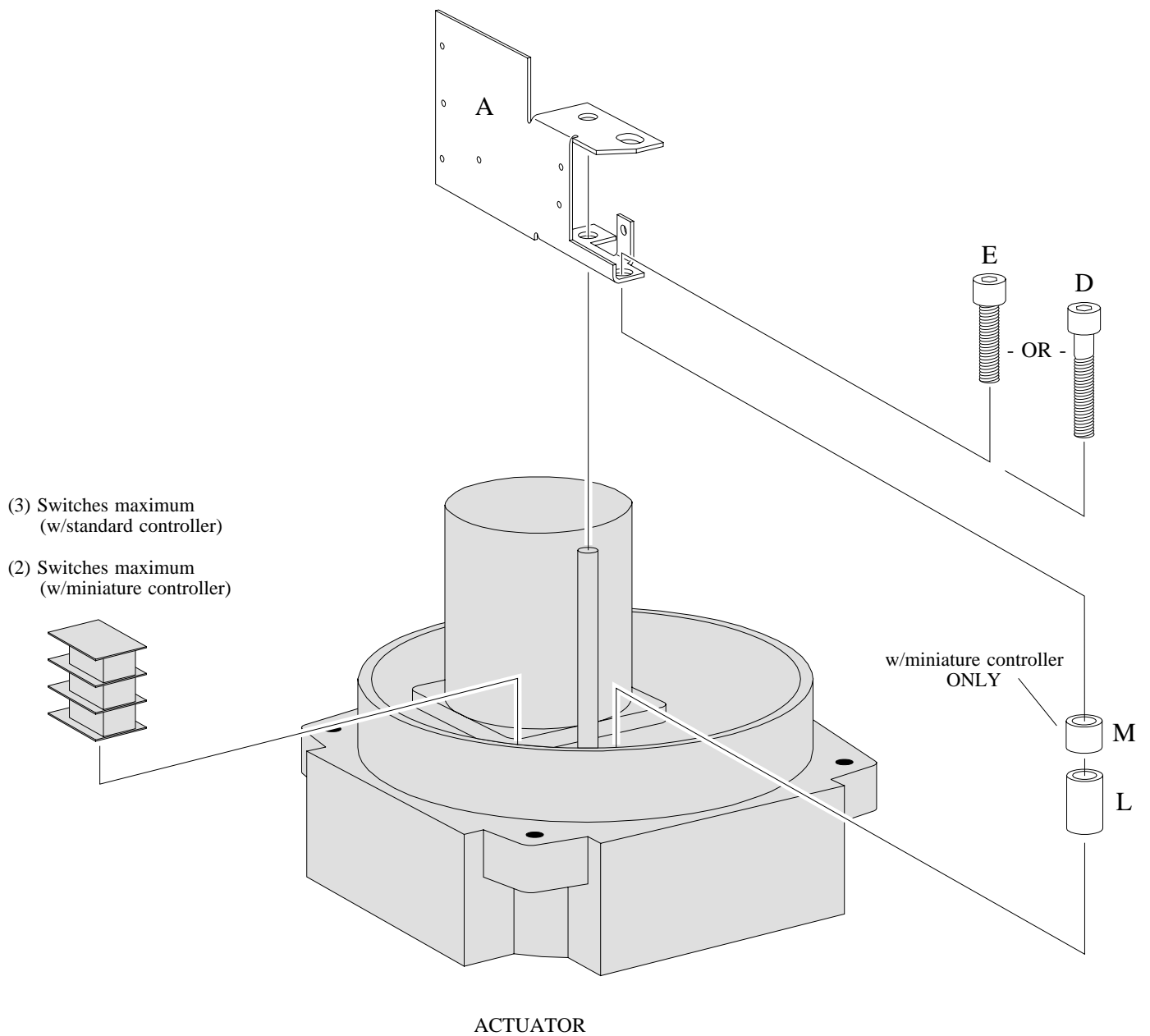
Noah NA15, 19, 28, 38, 50, 60, 80, 100, 150, 200, 250 Actuators



### CONTROLLER INSTALLATION

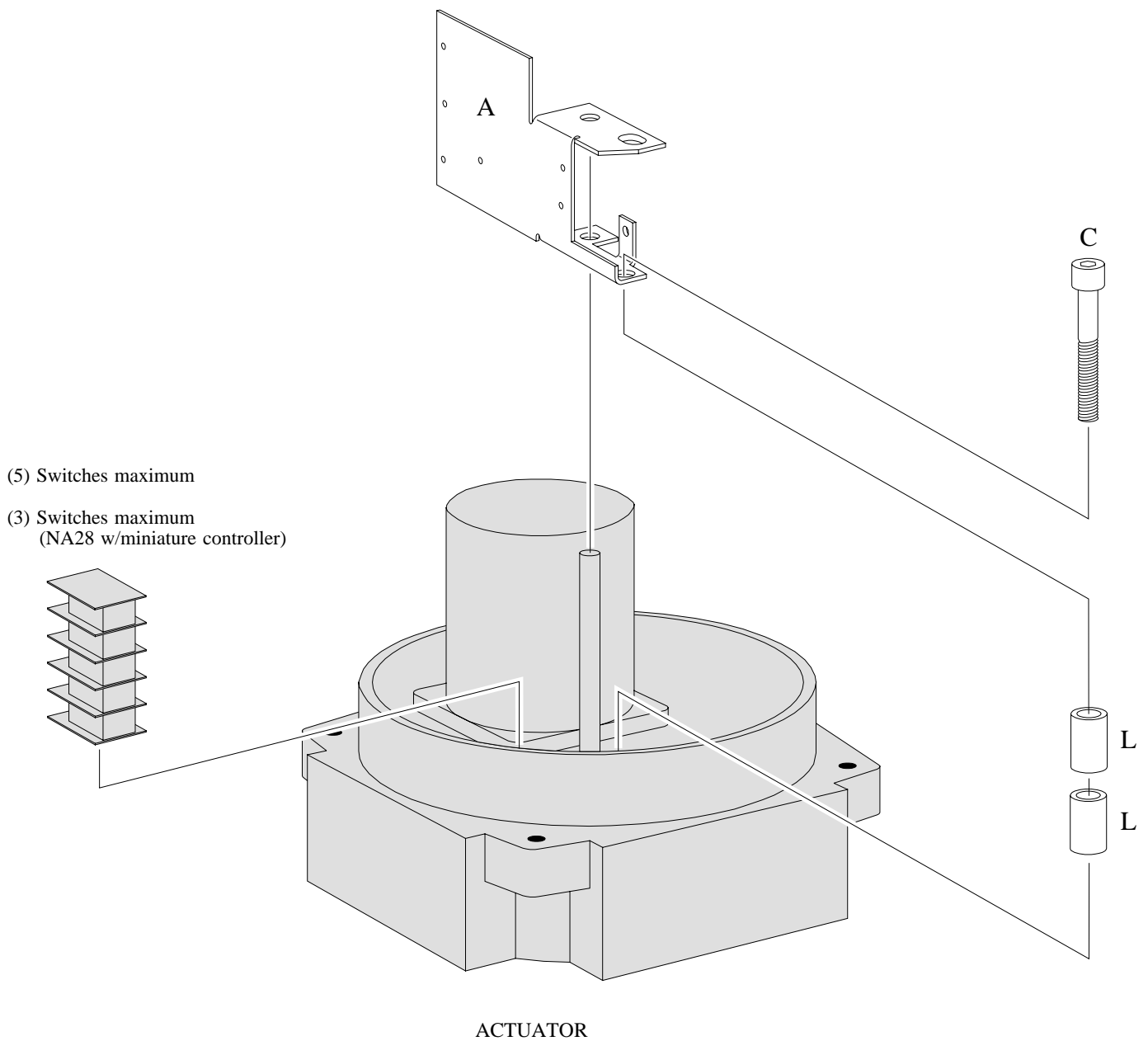
ASSEMBLY DIAGRAM

Noah NA15, 19 Actuators



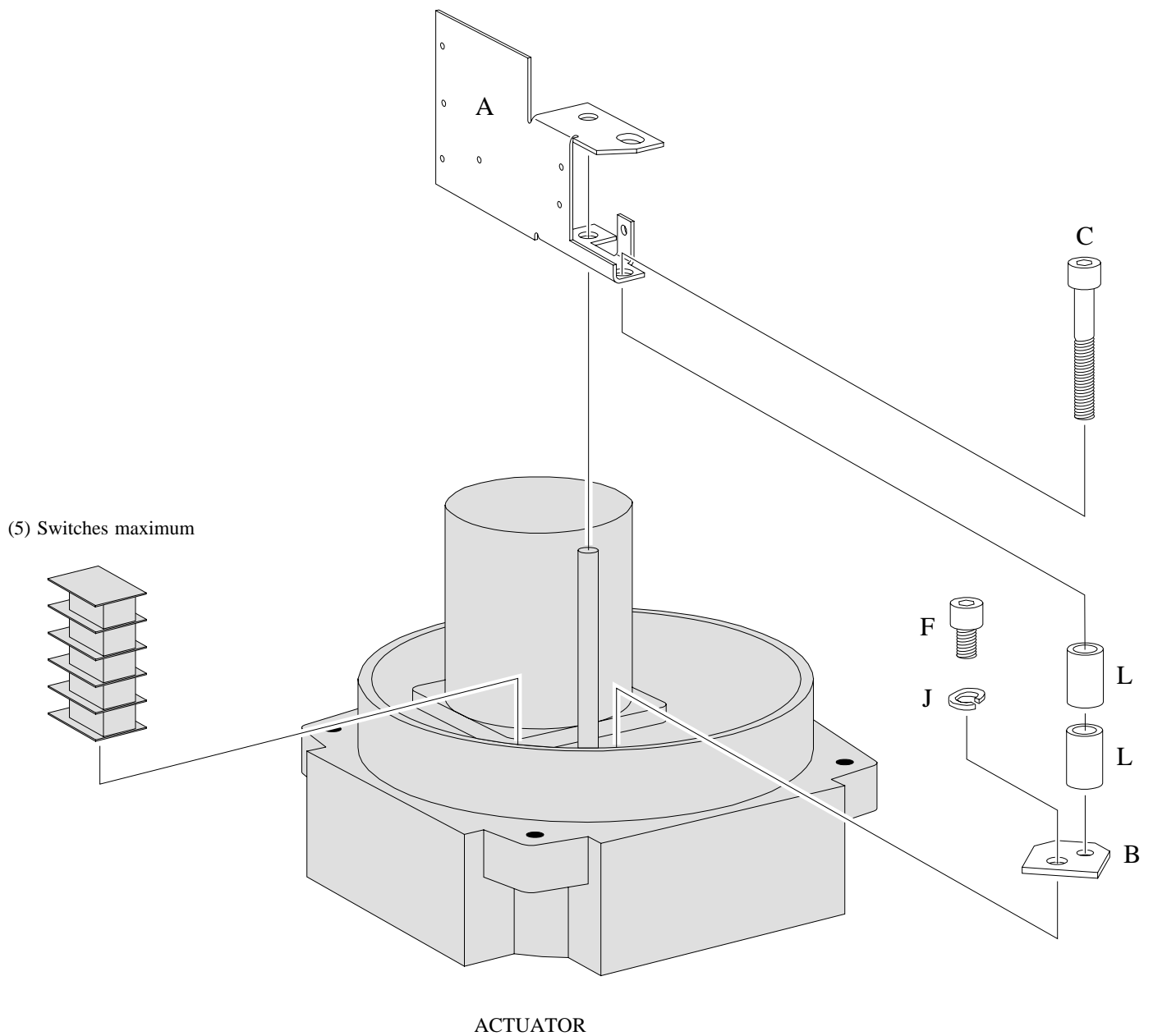
ASSEMBLY DIAGRAM

Noah NA28, 38, 50 Actuators

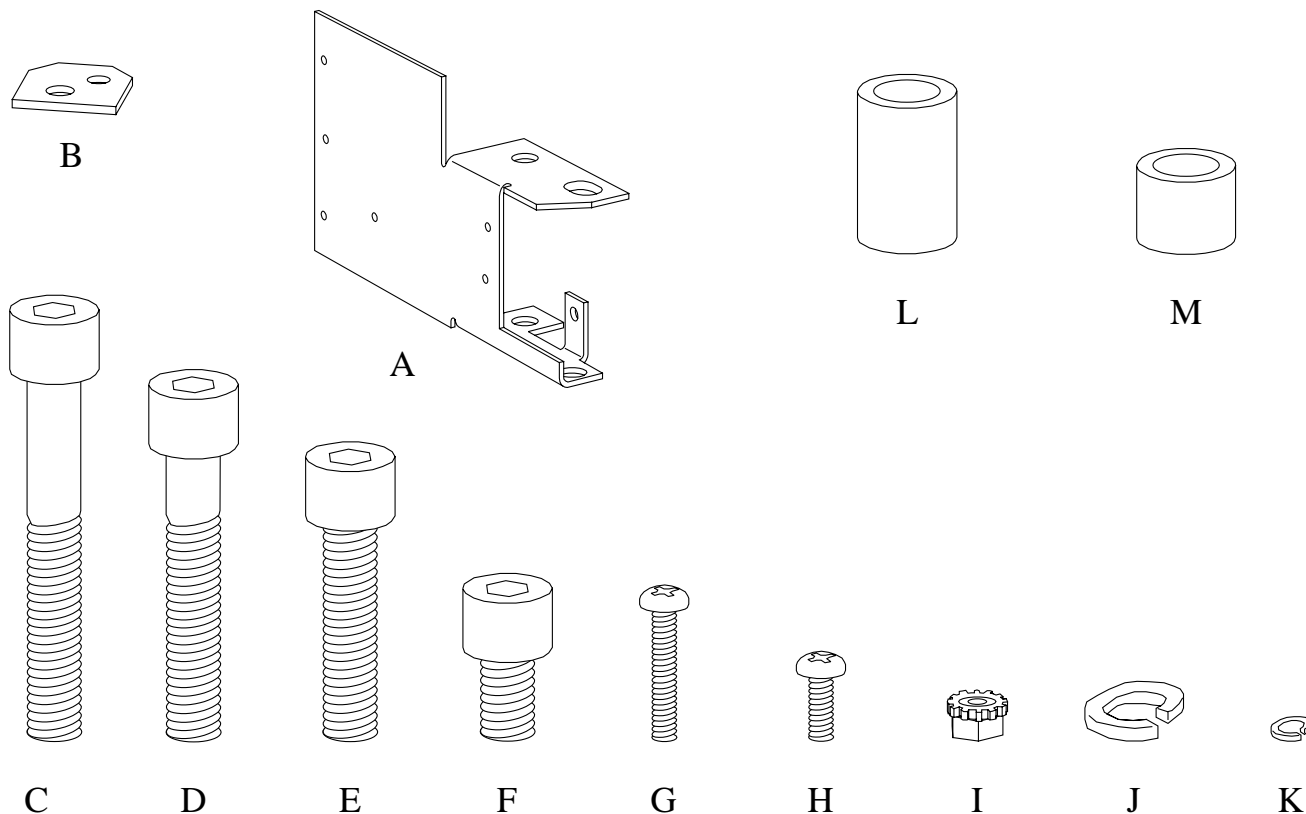


ASSEMBLY DIAGRAM

Noah NA60, 80, 100, 150, 200, 250 Actuators



## KIT CONTENTS



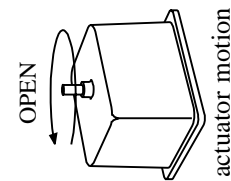
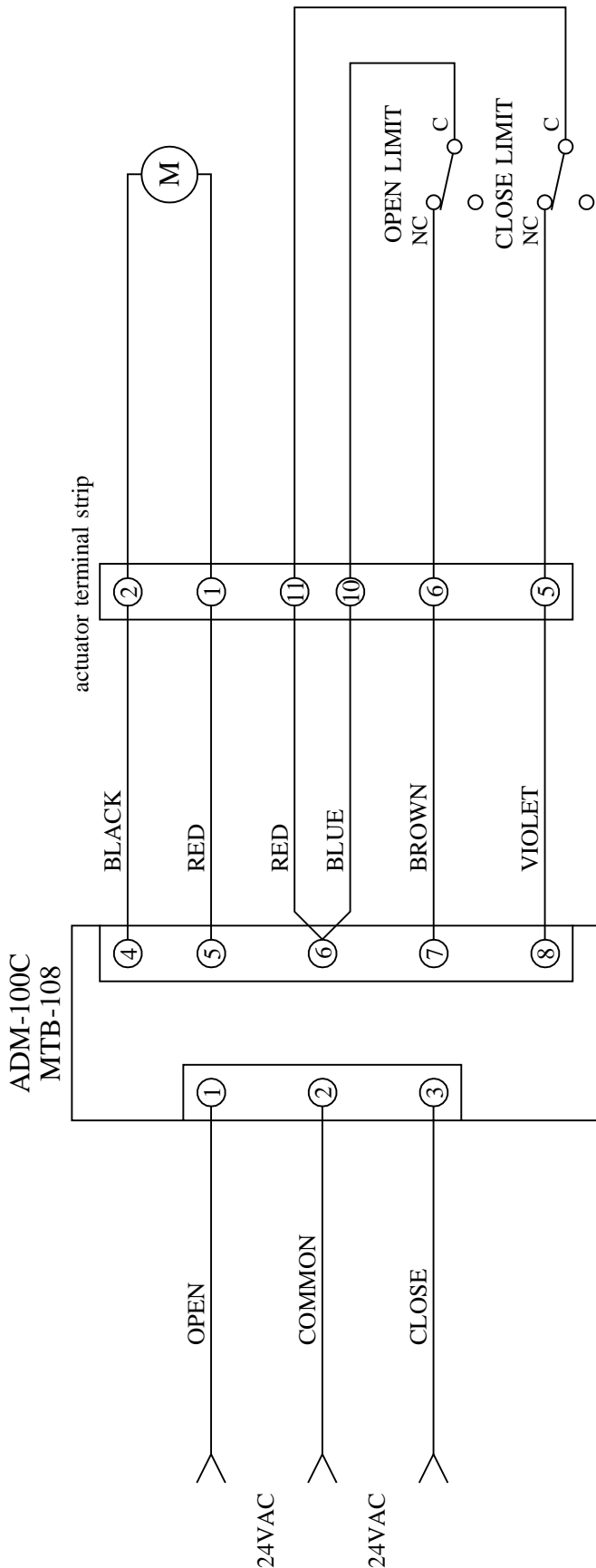
ITEM	QTY	DESCRIPTION
A	1	actuator bracket
B	1	adaptor plate (for NA60, 80, 100, 150, 200, 250)
C	1	8mm/1.25mm x 50mm socket head cap screw
D	1	8mm/1.25mm x 40mm socket head cap screw
E	1	8mm/1.25mm x 30mm socket head cap screw
F	1	8mm/1.25mm x 12mm socket head cap screw
G	2	#6-32 x 0.75" pan head screw
H	5	#6-32 x 0.375" pan head screw
I	1	#6-32 keps nut
J	1	8mm split ring lockwasher
K	4	#6 split ring lockwasher
L	2	0.787" nylon spacer (0.562" O.D.)
M	1	0.394" nylon spacer (0.562" O.D.)
not shown	2	16" red wire
not shown	2	16" white wire
not shown	1	16" blue wire
not shown	1	16" black wire
not shown	2	6.3" nylon tie wrap

# AC to DC MODULE

## WIRING DIAGRAM

Noah NA15, 19, 28 Actuators

The ADM-100C AC to DC Module allows a 24VDC actuator to be controlled like a 24VAC split phase motor actuator.

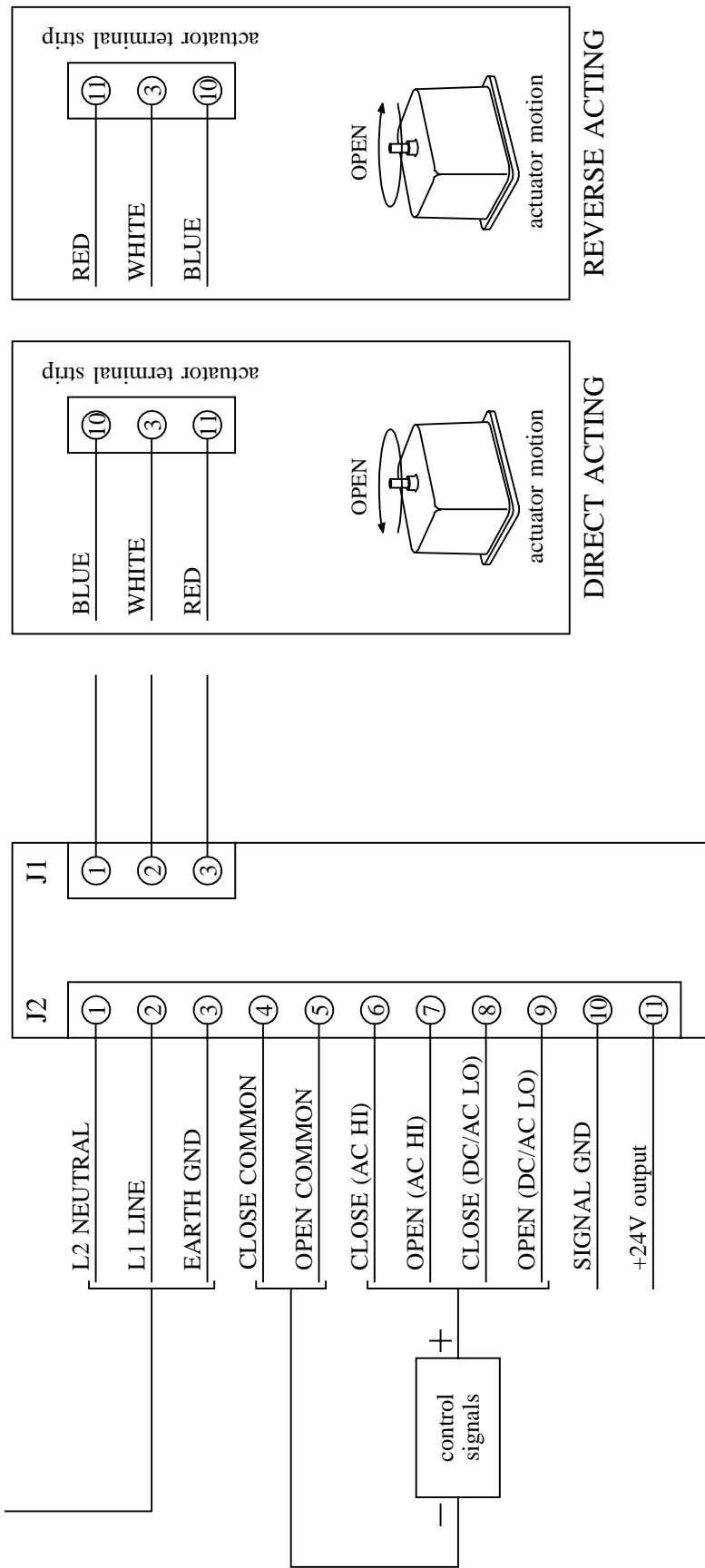


# AC ON/OFF CONTROLLERS

## WIRING DIAGRAM

Noah NAI5, 19, 28, 38, 50, 60, 80, 100, 150, 200, 250 Actuators

117VAC AMI-103  
234VAC AMI-103A



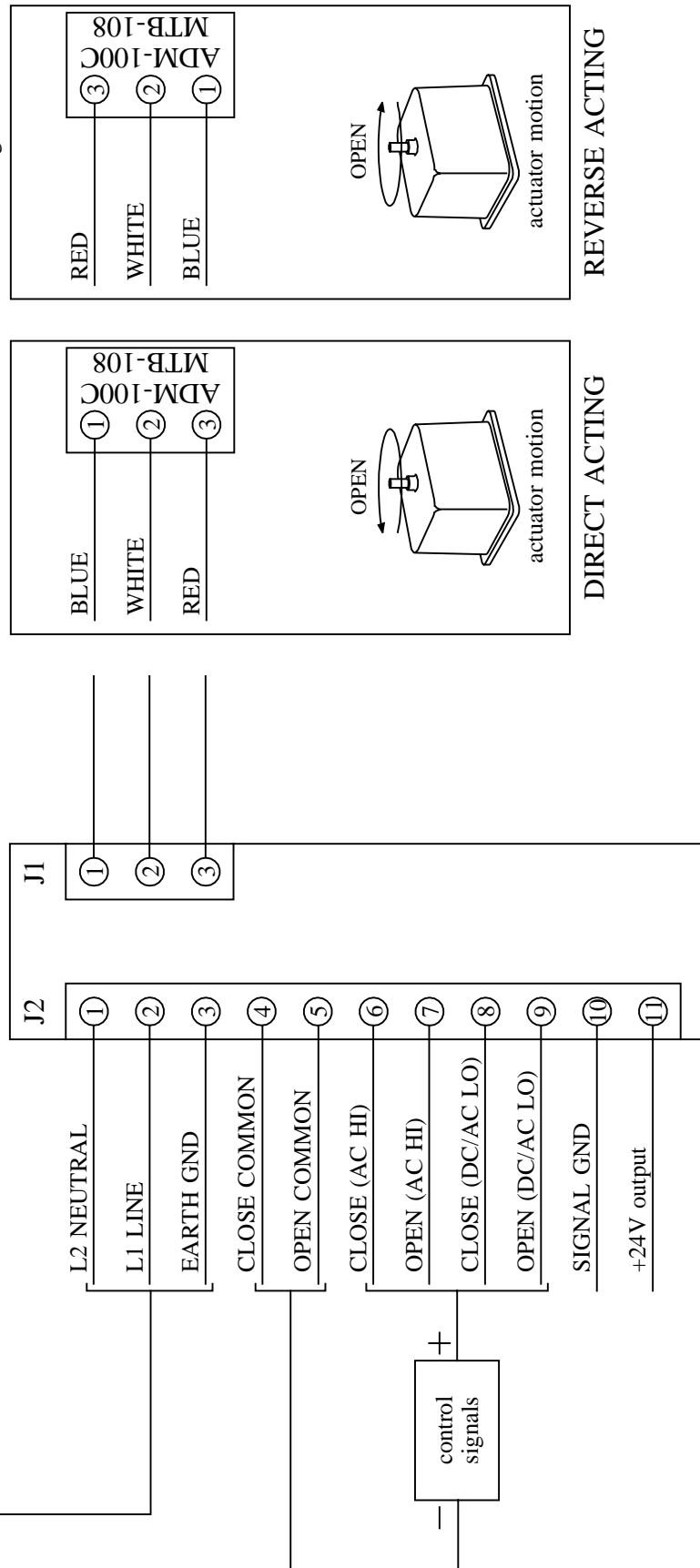
# 24VAC ON/OFF CONTROLLER

## WIRING DIAGRAM

Noah NA15, 19, 28 Actuators

24VAC AMI-103B

NOTE: This application uses a 24VDC actuator with an ADM-100C AC to DC Module installed. See ADM-100C wiring.





# AC SEQUENCE TIMERS

## WIRING DIAGRAM

Noah NA15, 19, 28 Actuators

117VAC AST-100  
234VAC AST-100A

