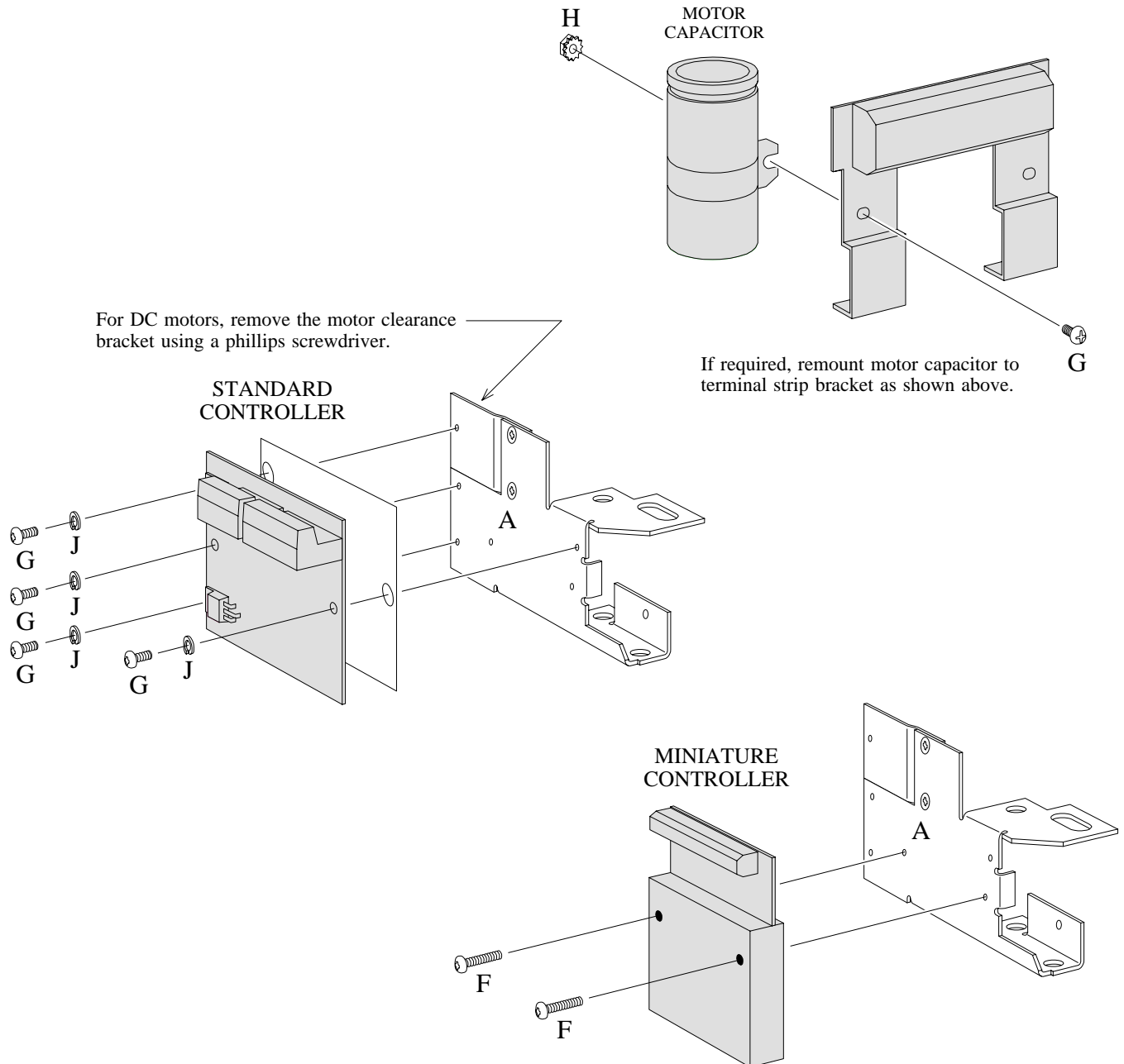


ASSEMBLY DIAGRAM

Noah NA015, 019, 028, 038, 050, 060, 080, 100, 150, 200, 250 Actuators

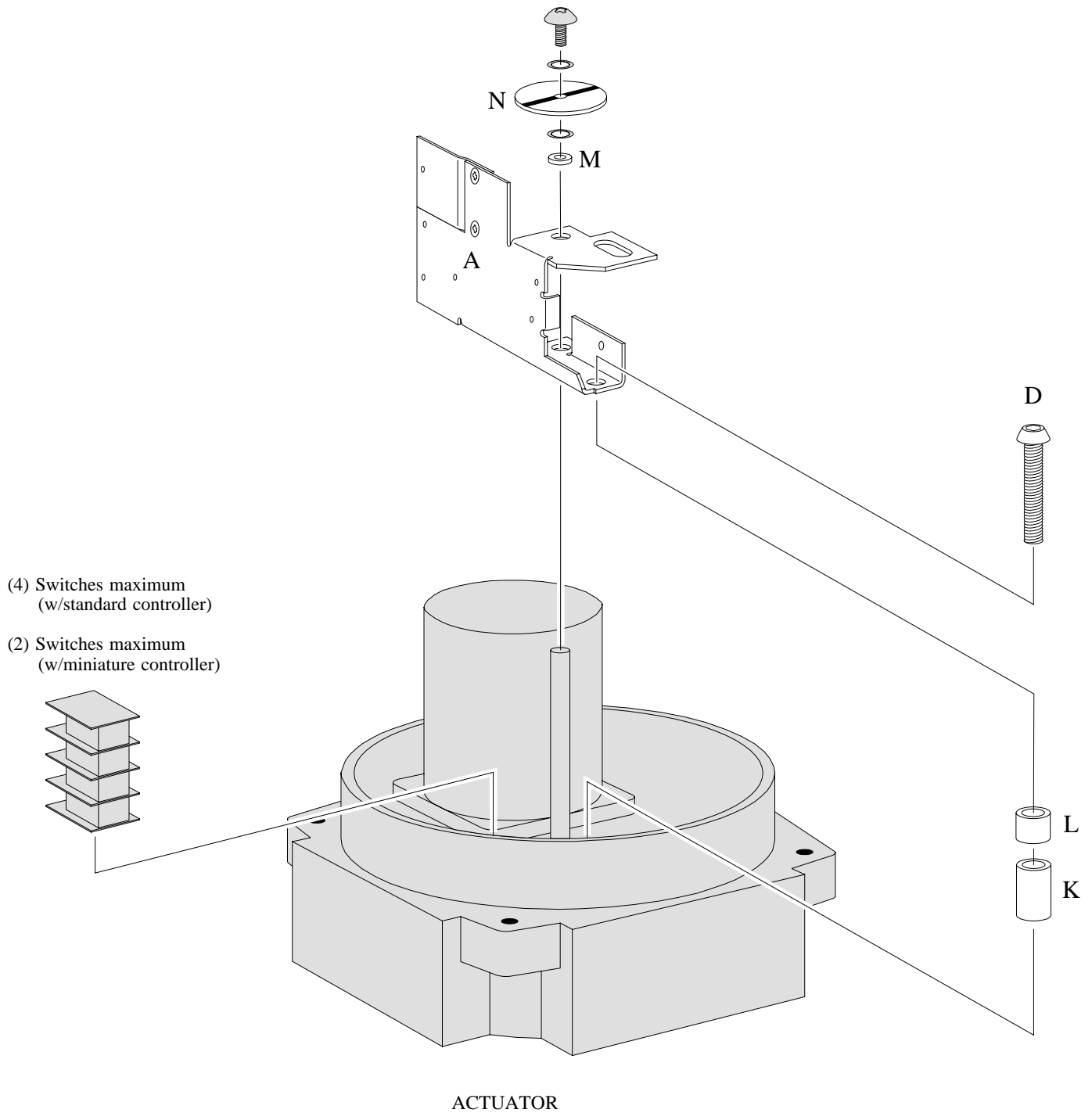


CONTROLLER INSTALLATION

ASSEMBLY DIAGRAM

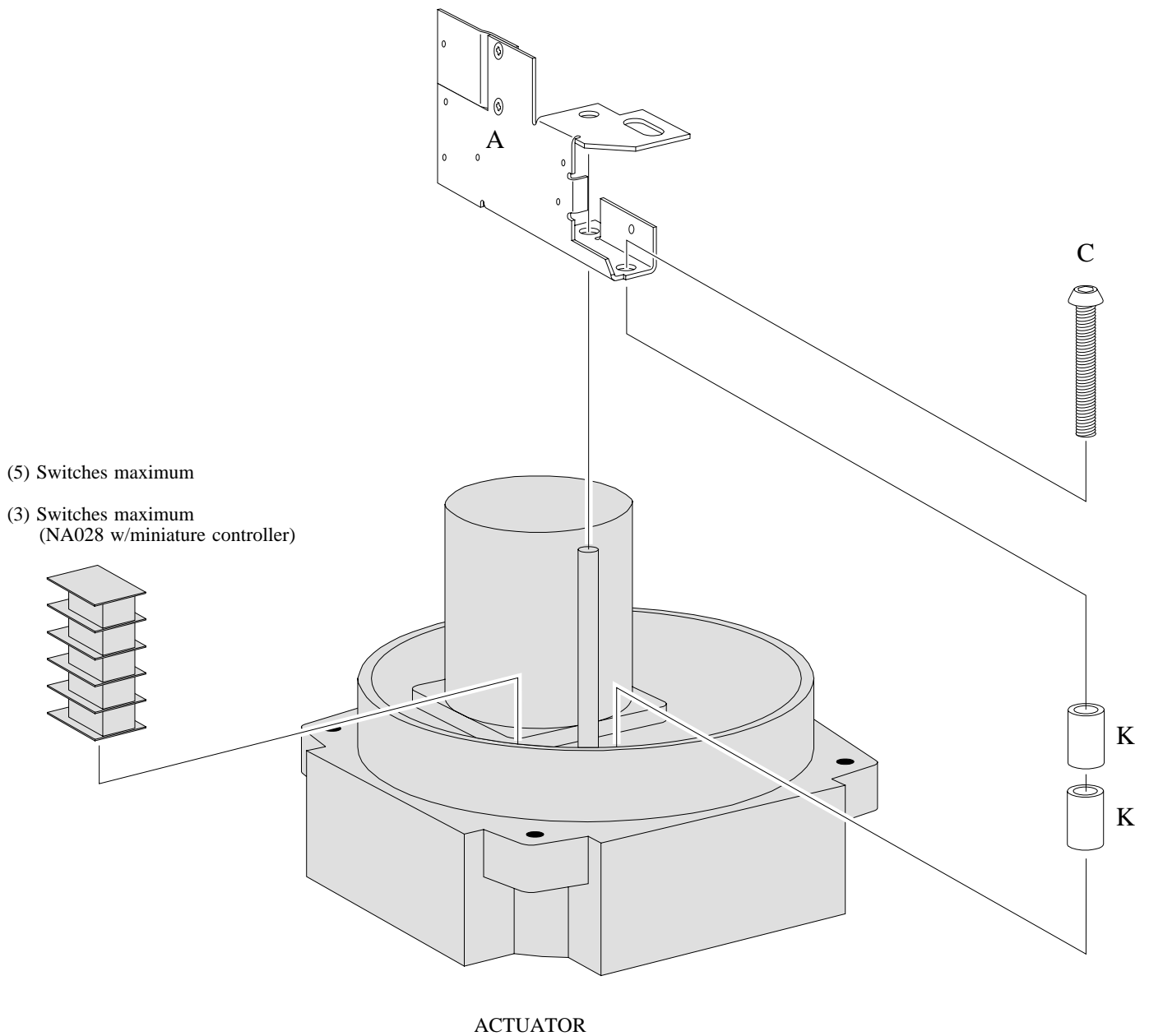
Noah NA015, 019 Actuators

For NEMA 7 actuators, replace indicator dial with 1.5" Dial "N" using Nylon Washer "M" and existing screw and lockwashers.



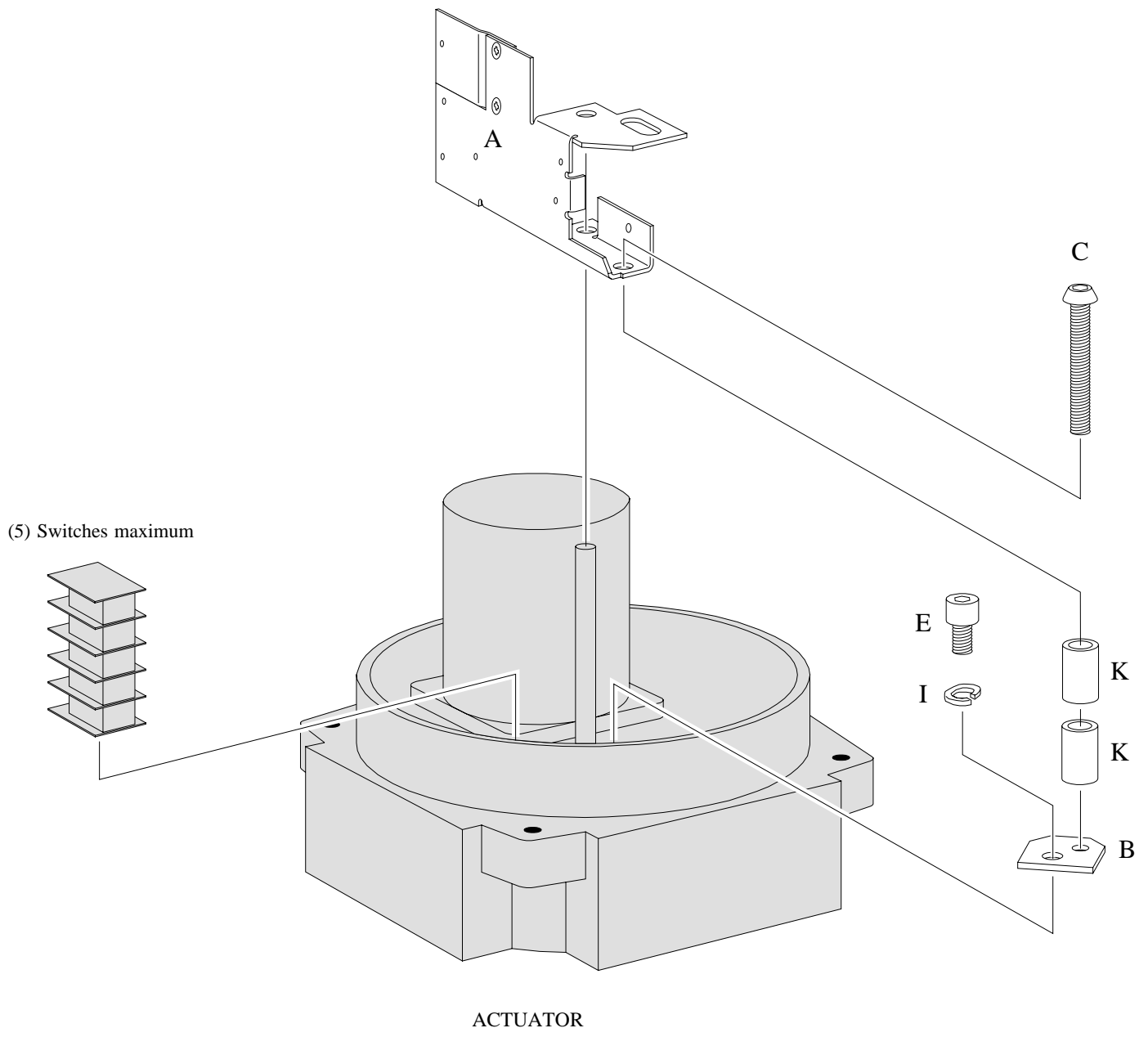
ASSEMBLY DIAGRAM

Noah NA028, 038, 050 Actuators

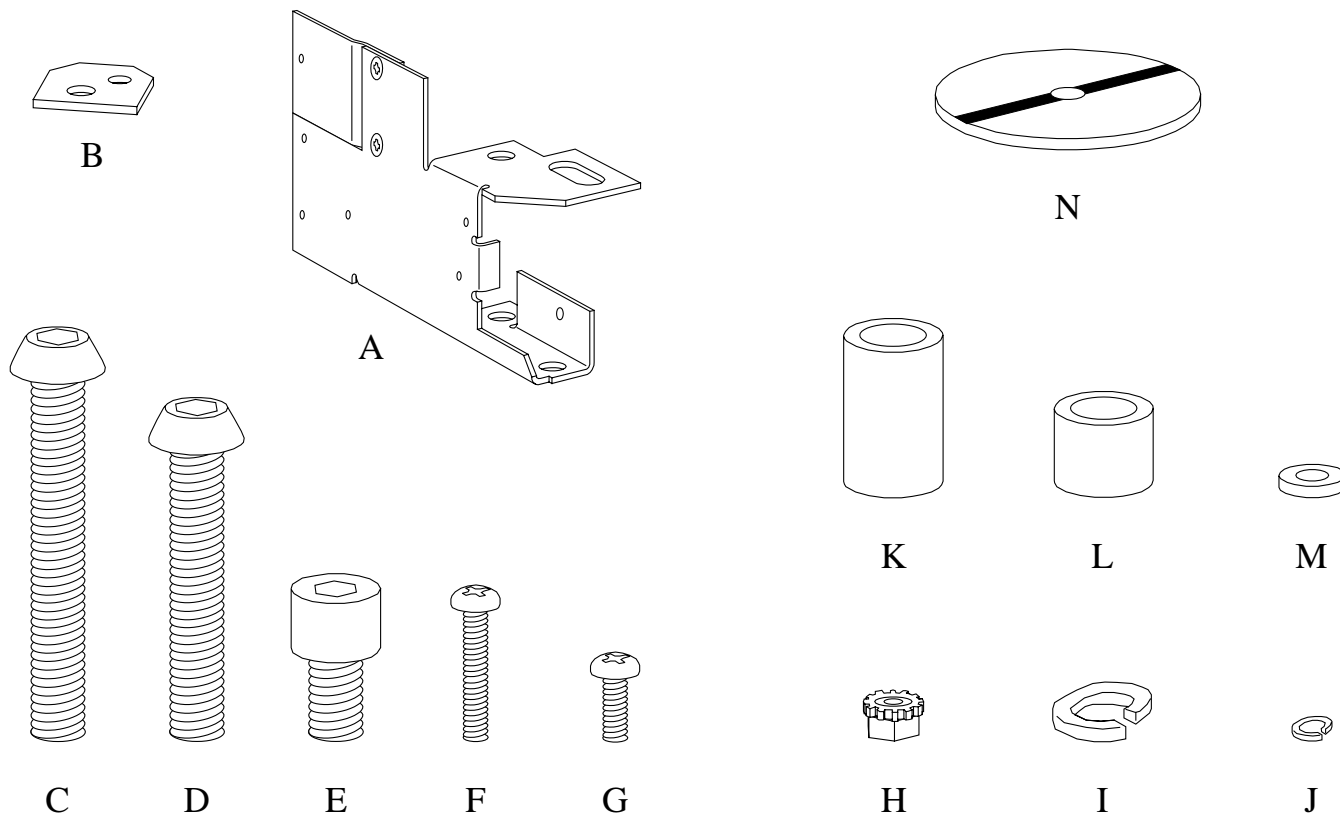


ASSEMBLY DIAGRAM

Noah NA060, 080, 100, 150, 200, 250 Actuators



KIT CONTENTS



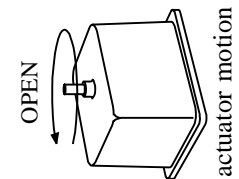
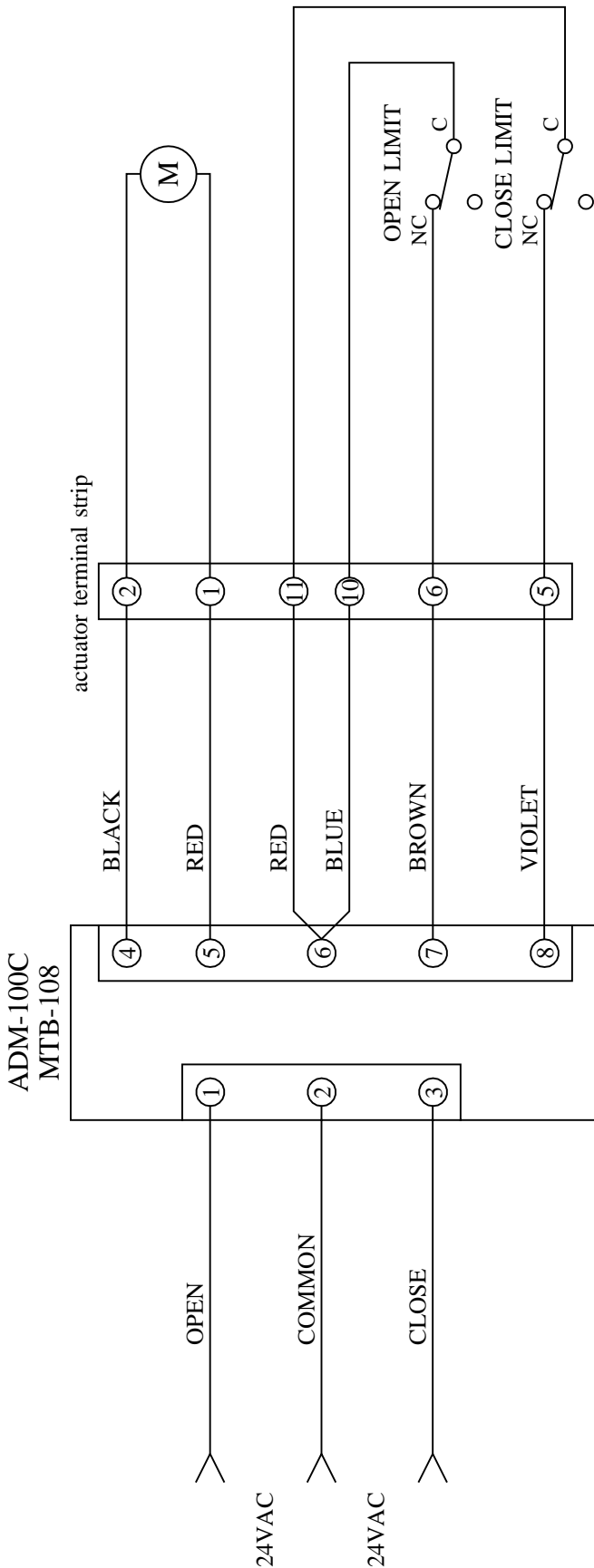
ITEM	QTY	DESCRIPTION
A	1	actuator bracket w/motor clearance bracket
B	1	adaptor plate (for NA060, 080, 100, 150, 200, 250)
C	1	8mm/1.25mm x 50mm button head cap screw
D	1	8mm/1.25mm x 40mm button head cap screw
E	1	8mm/1.25mm x 12mm socket head cap screw
F	2	#6-32 x 0.75" pan head screw
G	5	#6-32 x 0.375" pan head screw
H	1	#6-32 keps nut
I	1	8mm split ring lockwasher
J	4	#6 split ring lockwasher
K	2	0.787" nylon spacer (0.562" O.D.)
L	1	0.394" nylon spacer (0.562" O.D.)
M	1	#10 nylon washer, 0.062" thick (NEMA 7)
N	1	1.5" indicator dial (NEMA 7)
not shown	4	5mm/0.8mm x 10mm button head cap screw (NEMA 7)
not shown	2	16" red wire
not shown	2	16" white wire
not shown	1	16" blue wire
not shown	1	16" black wire
not shown	2	6.3" nylon tie wrap

AC to DC MODULE

WIRING DIAGRAM

Noah NA015, 019, 028 Actuators

The ADM-100C AC to DC Module allows a 24VDC actuator to be controlled like a 24VAC split phase motor actuator.

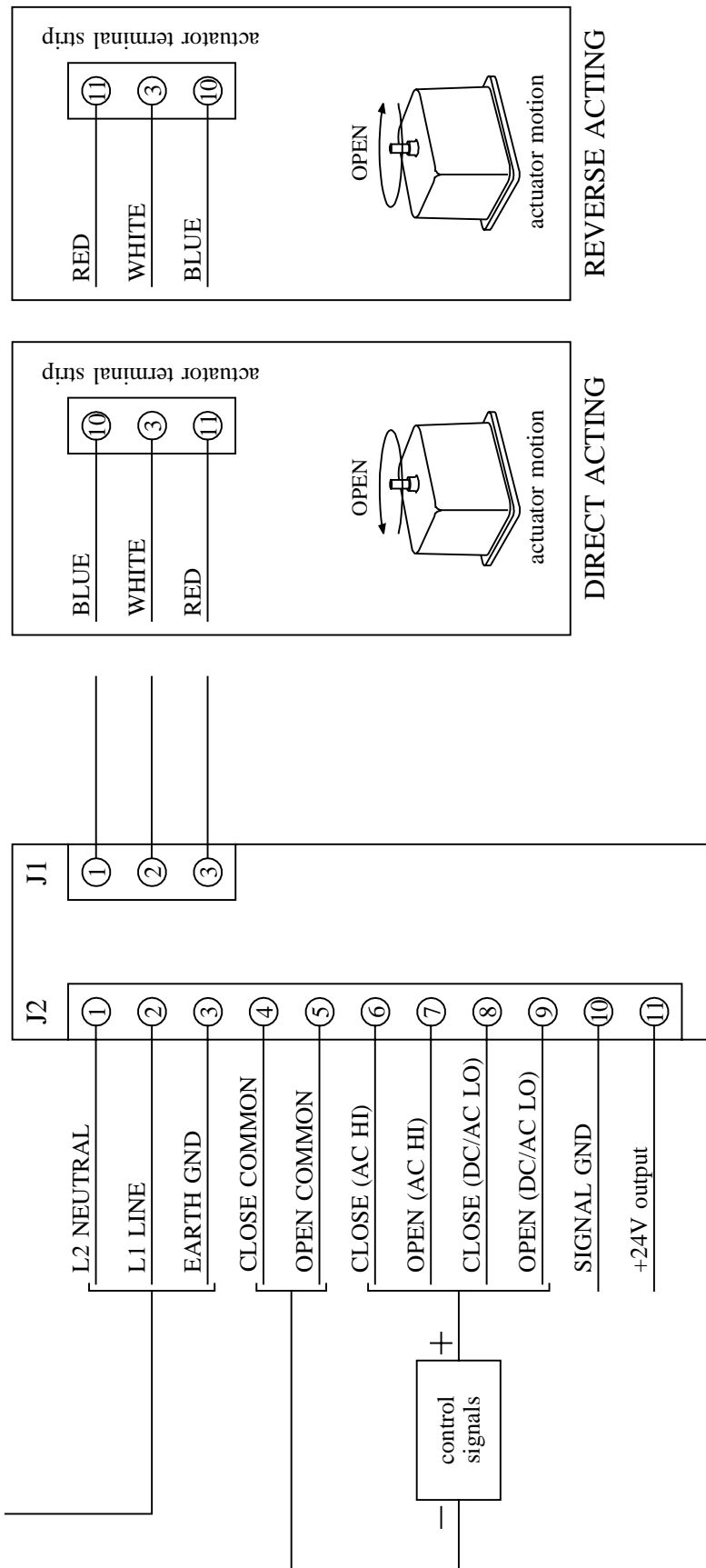


AC ON/OFF CONTROLLERS

WIRING DIAGRAM

Noah NA015, 019, 028, 038, 050, 060, 080, 100, 150, 200, 250 Actuators

117VAC AMI-103
234VAC AMI-103A



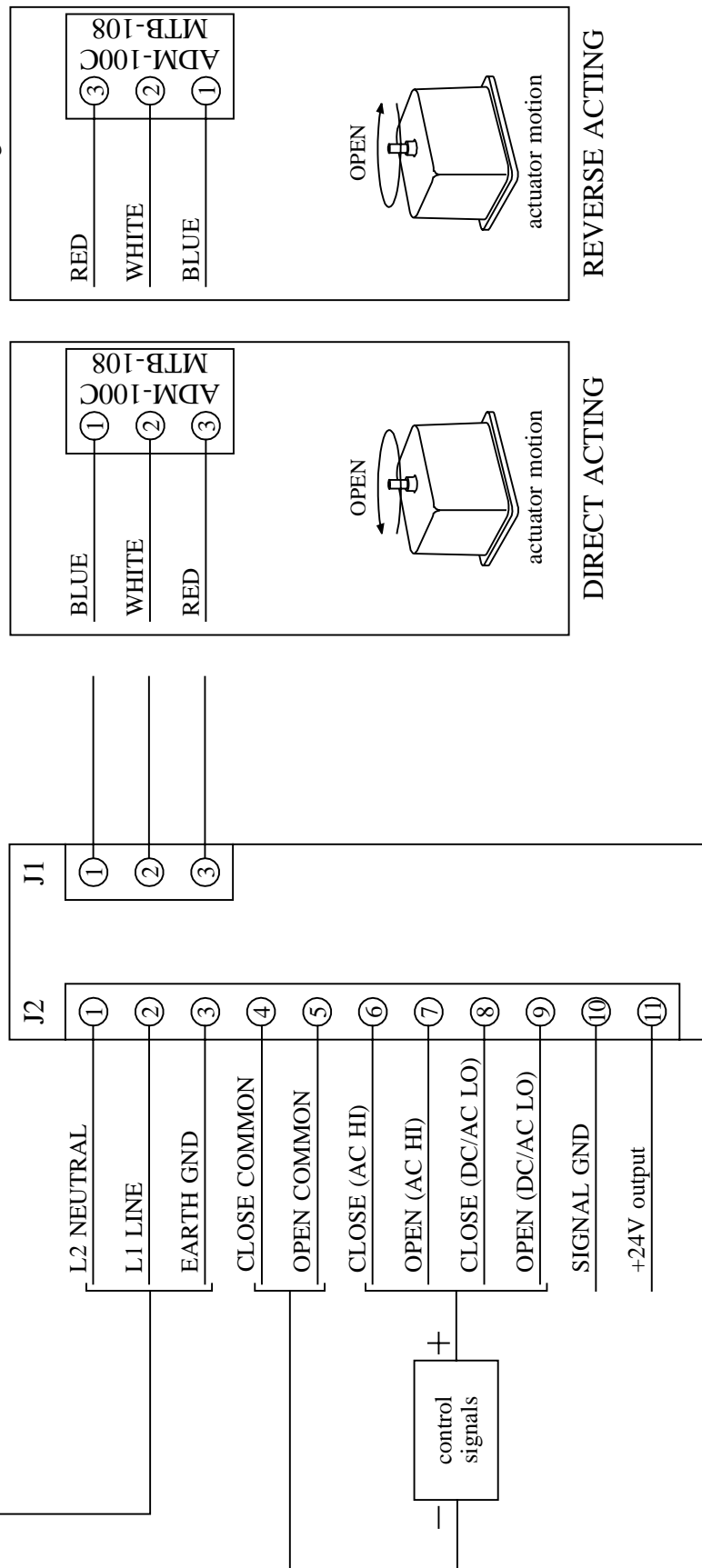
24VAC ON/OFF CONTROLLER

WIRING DIAGRAM

Noah NA015, 019, 028 Actuators

24VAC AMI-103B

NOTE: This application uses a 24VDC actuator with an ADM-100C AC to DC Module installed. See ADM-100C wiring.

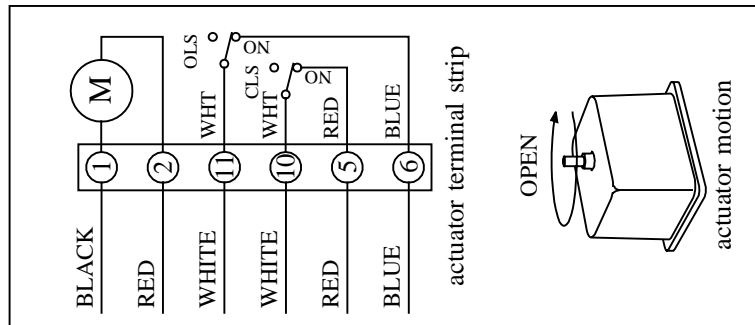
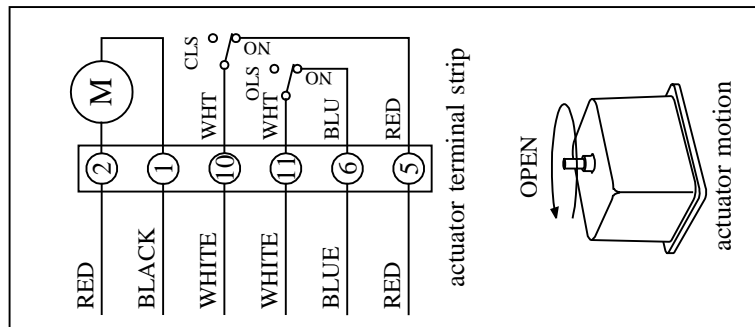
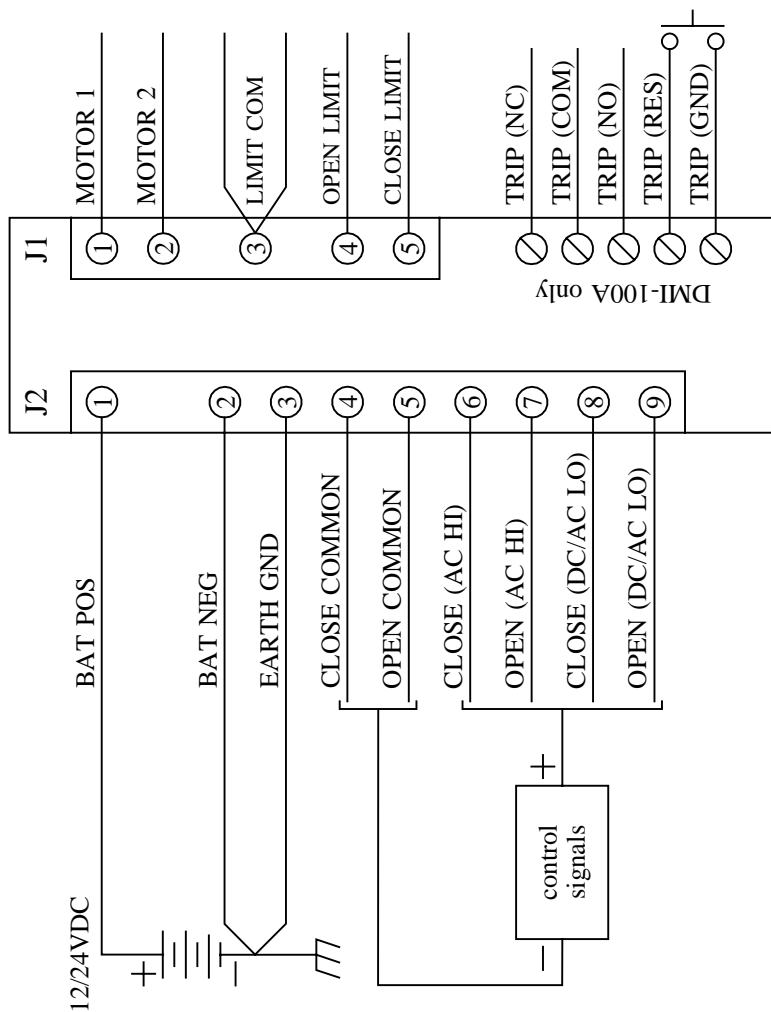


DC ON/OFF CONTROLLERS

WIRING DIAGRAM

Noah NA015, 019, 028 Actuators

DMI-100 / DMI-100A

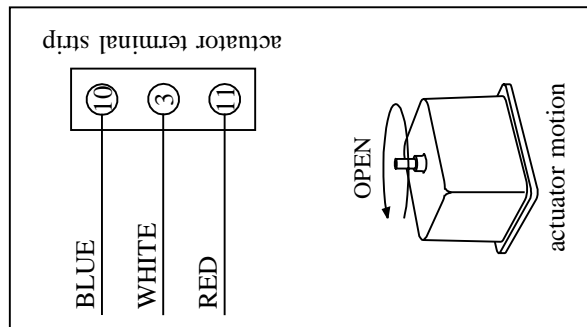
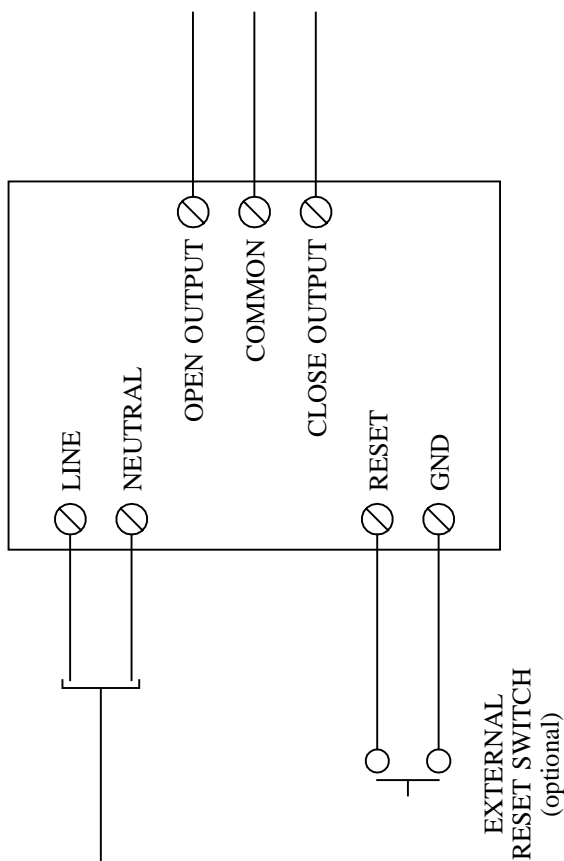


AC SEQUENCE TIMERS

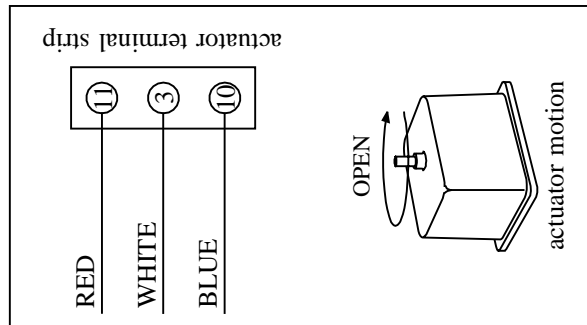
WIRING DIAGRAM

Noah NA015, 019, 028 Actuators

117VAC AST-100
234VAC AST-100A



DIRECT ACTING



REVERSE ACTING