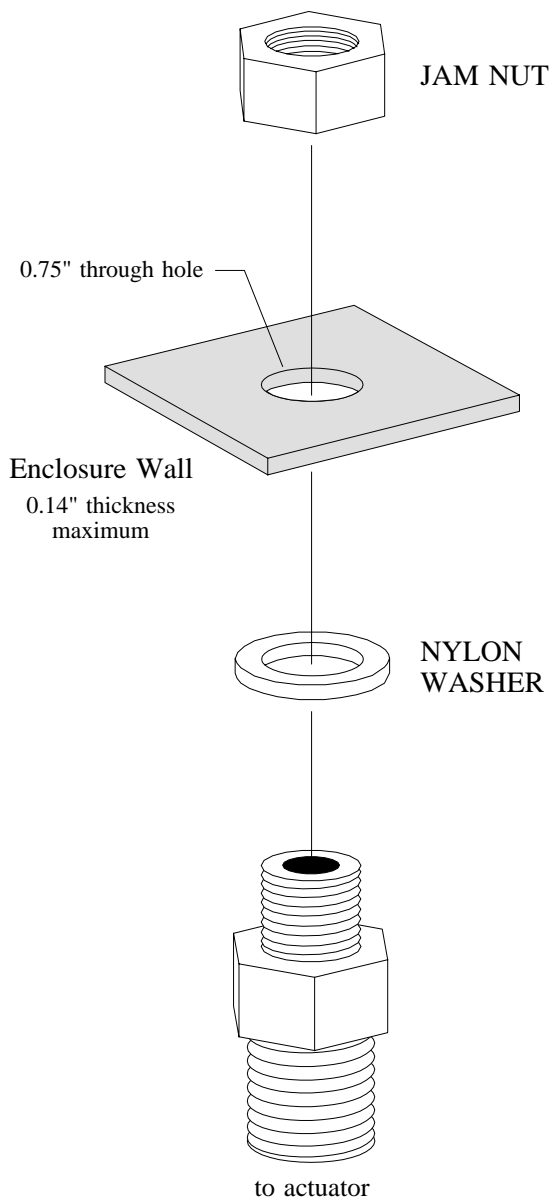


EEF-101

External Enclosure Fitting

The Peaktronics EEF-101 fitting is used to mount an external enclosure to a 3/4" NPT port that is common on a number of actuators. The fitting is made of corrosion resistant brass and has a 0.50" diameter through hole for wiring between the enclosure and actuator. A mounting nut and nylon washer (for NEMA 4) come with the fitting.

ASSEMBLY DIAGRAM



OUTLINE

