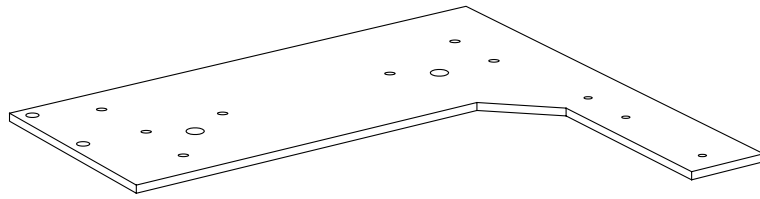
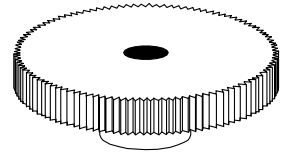


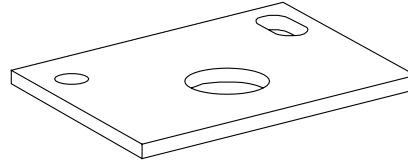
## KIT CONTENTS



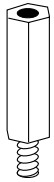
A



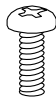
I



B



C



D



E



F



G



H

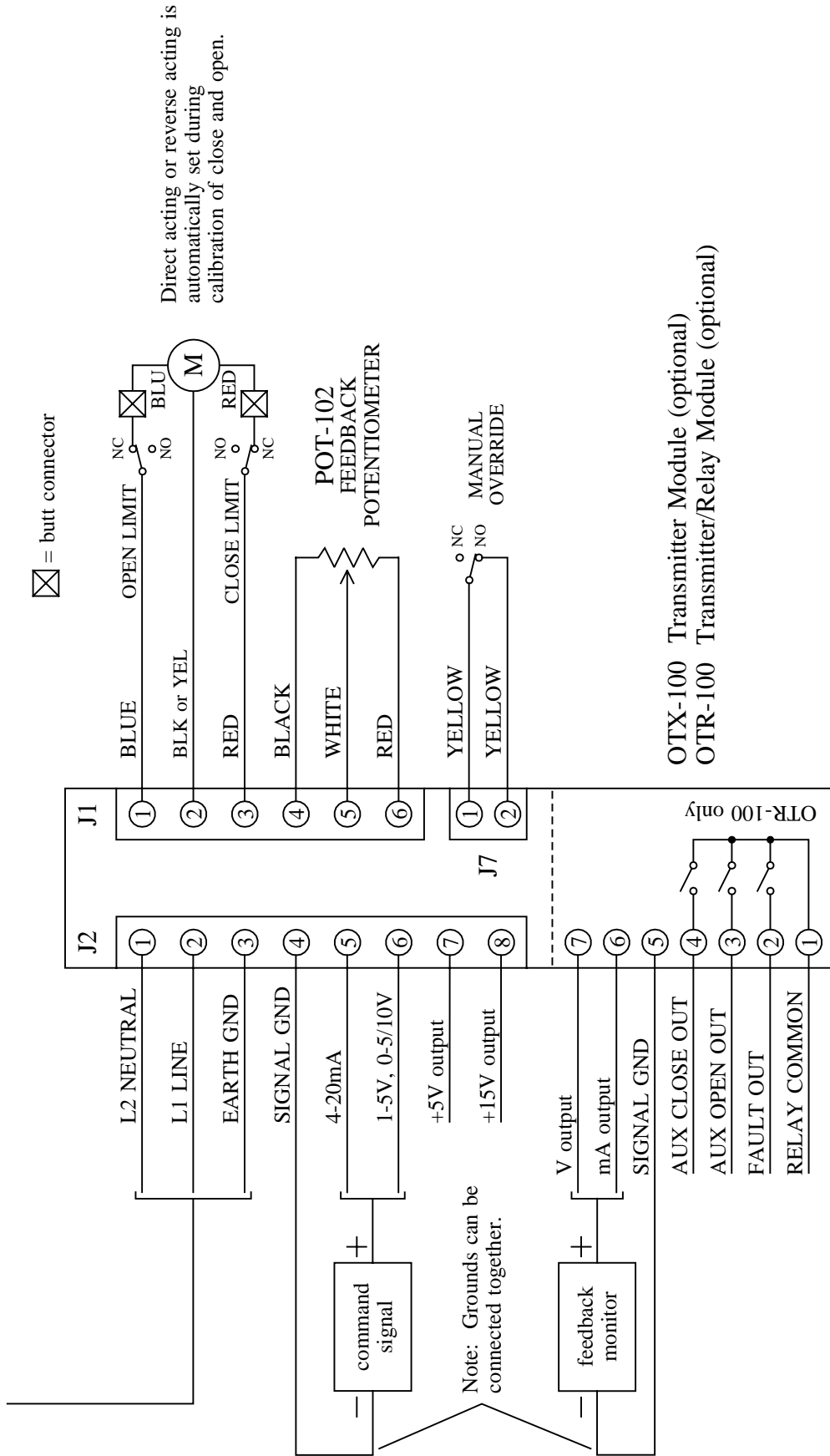
ITEM	QTY	DESCRIPTION
A	1	positioner bracket
B	1	potentiometer bracket
C	2	0.75" hex spacer
D	6	#6-32 x 0.375" pan head screw
E	4	#6-32 x 0.25" flat head screw
F	3	#4-40 x 0.56" socket head cap screw
G	1	#6 flat washer
H	6	#6 split ring lockwasher
I	1	potentiometer gear
not shown	2	12" yellow wire with spade terminal
not shown	2	butt connector (for red and blue motor wires)
not shown	7	6.3" nylon tie wrap

# AC DIGITAL POSITIONERS

## WIRING DIAGRAM

Bray S70-13, -018 Actuators

117VAC DHC-100  
234VAC DHC-100A



☒ = butt connector

Direct acting or reverse acting is automatically set during calibration of close and open.

OTX-100 Transmitter Module (optional)  
OTR-100 Transmitter/Relay Module (optional)

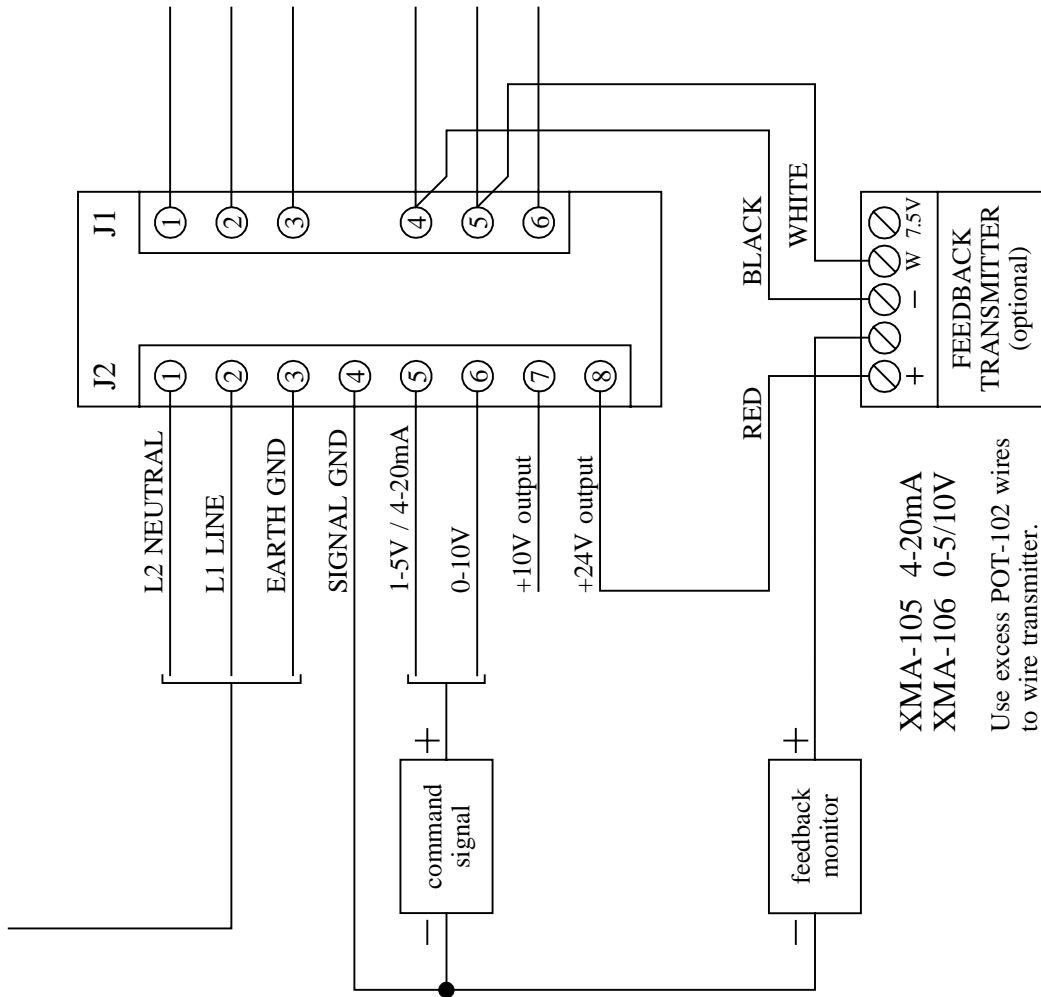
Note: Grounds can be connected together.

# AC ANALOG / LOG RATE POSITIONERS (standard)

## WIRING DIAGRAM

Bray S70-13, -018 Actuators

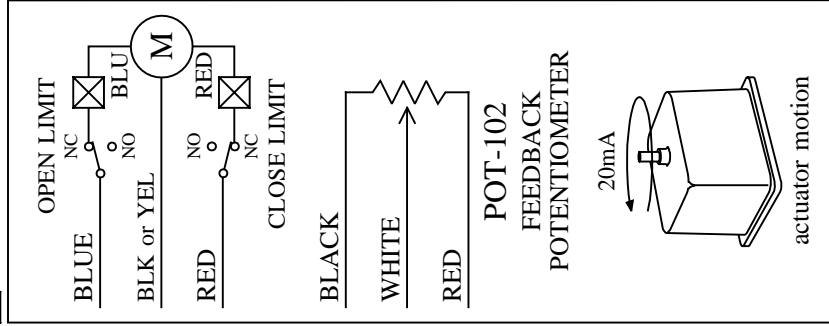
117VAC AMC-101A / LRC-101A / LRC-101G  
 234VAC AMC-101C / LRC-101B / LRC-101H



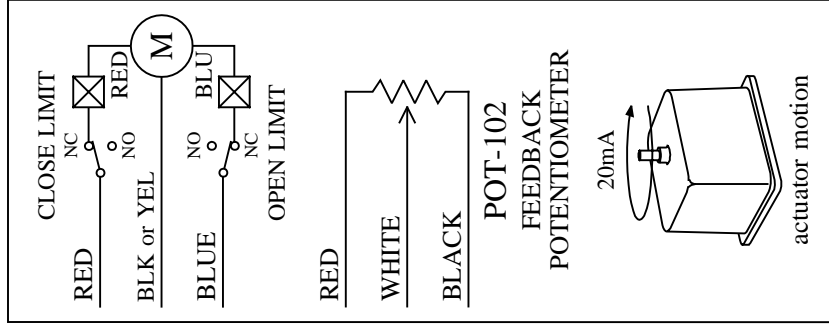
XMA-105 4-20mA  
 XMA-106 0-5/10V

Use excess POT-102 wires to wire transmitter.

☒ = butt connector



DIRECT ACTING



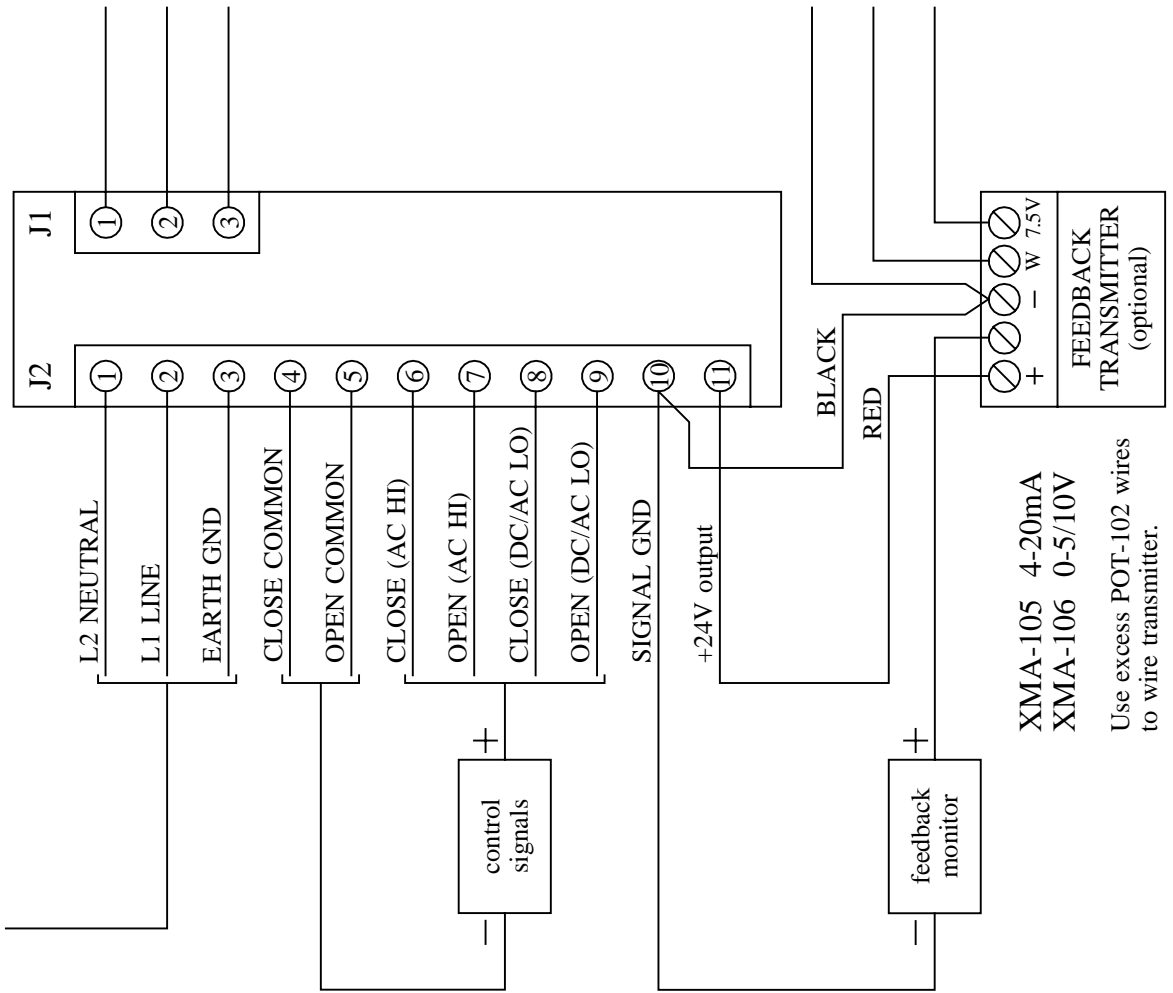
REVERSE ACTING

# AC ON/OFF CONTROLLERS

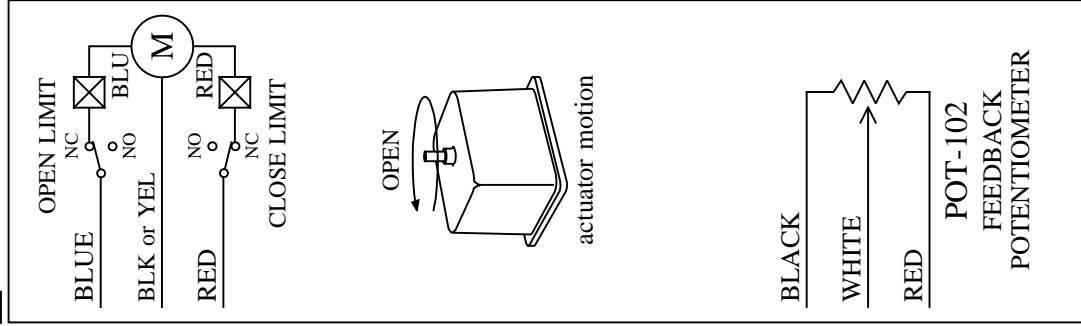
## WIRING DIAGRAM

Bray S70-13, -018 Actuators

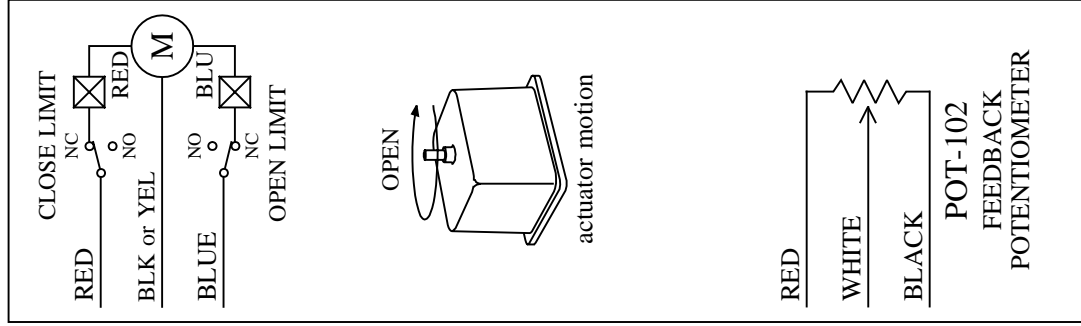
117VAC AMI-103  
234VAC AMI-103A



☒ = butt connector



DIRECT ACTING



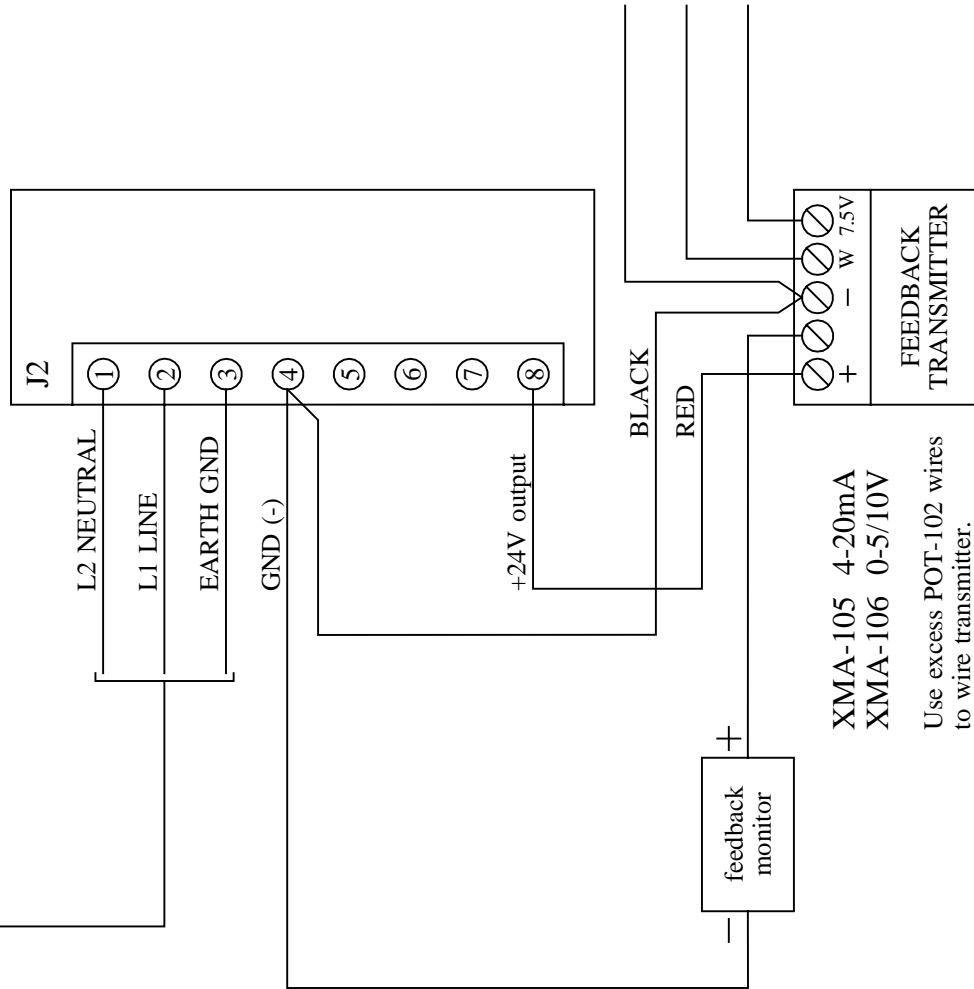
REVERSE ACTING

# FEEDBACK TRANSMITTERS (powered)

## WIRING DIAGRAM

Bray S70-13, -018 Actuators

117VAC PWR-102  
234VAC PWR-102A



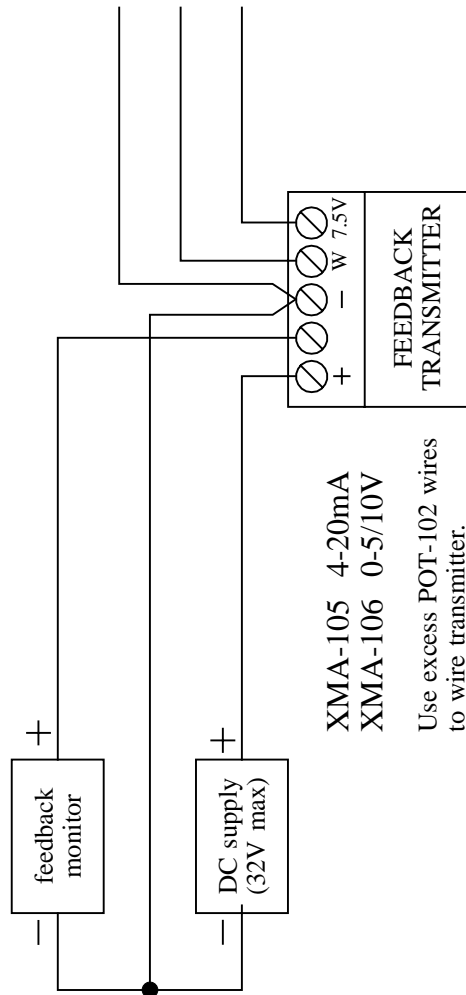
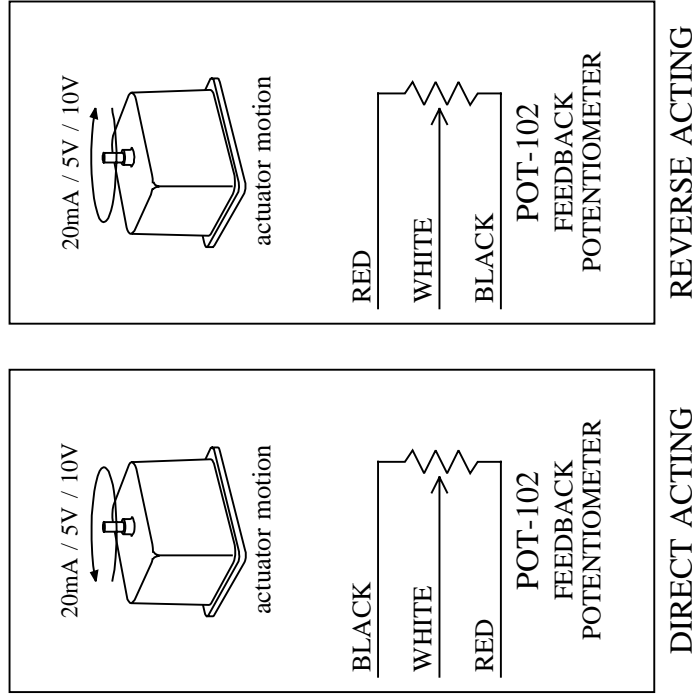
XMA-105 4-20mA  
XMA-106 0-5/10V

Use excess POT-102 wires to wire transmitter.

# FEEDBACK TRANSMITTERS (externally powered)

## WIRING DIAGRAM

Bray S70-13, -018 Actuators



# FEEDBACK TRANSMITTER (loop powered)

WIRING DIAGRAM

Bray S70-13, -018 Actuators

