

RHM-100

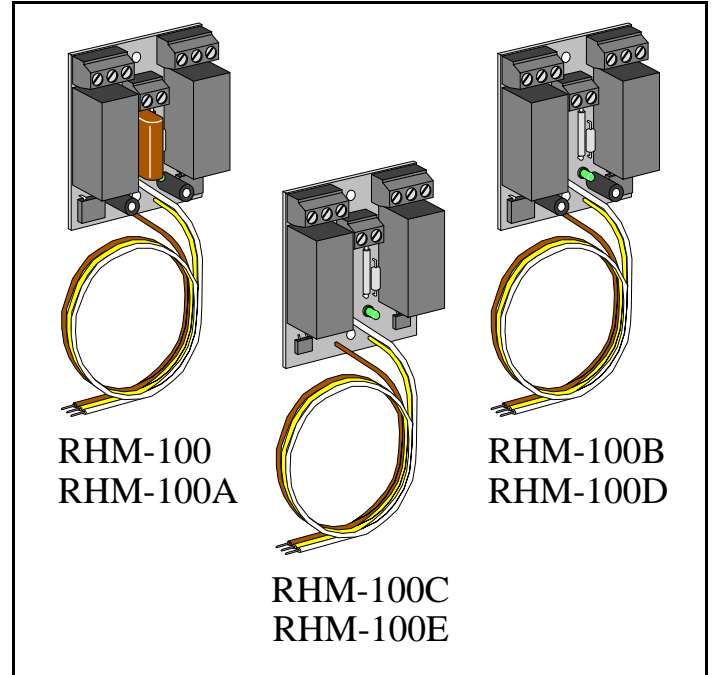
Relay Heater Module

The Peaktronics RHM-100 Series Relay Heater Modules provide a means of powering an optional heater without requiring an additional constant power source or wiring. The RHM-100 Series connect to actuators that use an industry standard 3-wire control power connection to operate the actuator fully open or closed. These modules also provide open and close form-C relay contacts that can replace, in most cases, the auxiliary limit switches that are in addition to the primary limit switches. Its compact size allows the unit to be mounted inside most actuators. A 9" 3-wire pigtail provides connection to the actuator, a 2 pin screw terminal strip provides easy wiring to a heater, and two 3 pin screw terminal strips provide the auxiliary relay connections for the user.

When the actuator is powered to *open* its valve, the motor runs until the open limit switch is engaged and then switches power to the RHM-100 OPEN connection (brown wire). At that time, power is applied to the heater, the Auxiliary Open contact (J2) switches from NC to NO, and the on-board Red LED lights to indicate that the valve is fully open and that power is applied to the heater.

Similarly, when the actuator is powered to *close*, the close limit switch powers the RHM-100 CLOSE connection (yellow wire), the Auxiliary Close contact (J1) switches from NC to NO, and the Green LED lights to indicate that the valve is fully closed and that power is applied to the heater.

Note that the control power must be maintained after either limit switch is reached in order to provide power



for the heater. Also, when the valve position is between fully open and fully closed, neither limit switch will provide power for the heater.

SPECIFICATIONS

OPERATING VOLTAGE

RHM-100: 117VAC $\pm 10\%$

RHM-100A: 234VAC $\pm 10\%$

RHM-100B: 24VAC $+20/-10\%$

RHM-100C: 24 VDC $+20/-5\%$

RHM-100D: 12VAC $+20/-10\%$

RHM-100E: 12 VDC $+20/-5\%$

OPERATING CURRENT (typical @ $T_A = 20^\circ\text{C}$, not including heater current)

RHM-100: 42mA @ 117VAC

RHM-100A: 39mA @ 234VAC

RHM-100B: 43mA @ 24VAC

RHM-100C: 23mA @ 24VDC

RHM-100D: 89mA @ 12VAC

RHM-100E: 37mA @ 12VDC

RELAY OUTPUTS (form-C)

Maximum Load: 8A @ 277VAC, 8A @ 24VDC

ENVIRONMENTAL

Operating Temperature -40 to 85 $^\circ\text{C}$

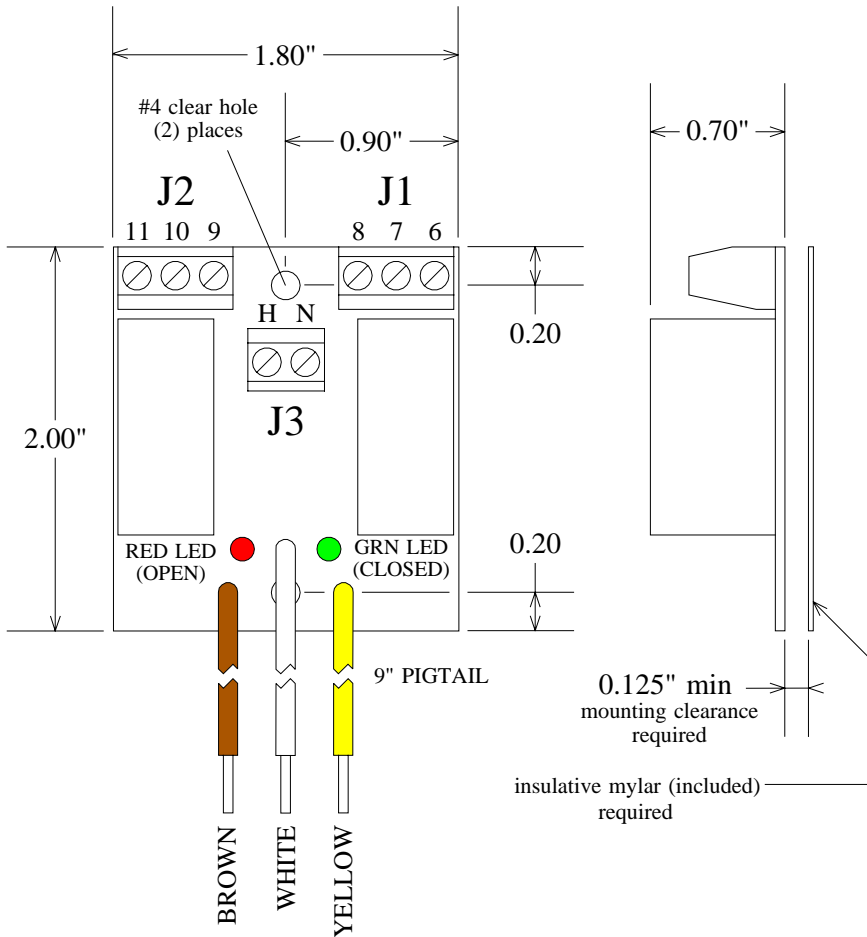
Storage Temperature -40 to 85 $^\circ\text{C}$

Relative Humidity 0 to 90 % (non-condensing)

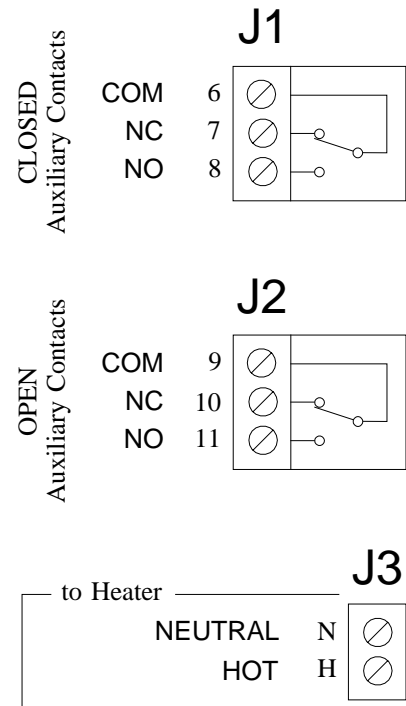
OUTLINE

RHM-100	117VAC
RHM-100A	234VAC
RHM-100B	24VAC
RHM-100D	12VAC

RHM-100C	24VDC
RHM-100E	12VDC

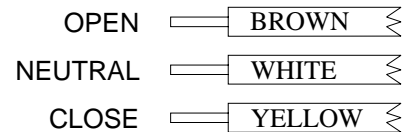


ELECTRICAL CONNECTIONS

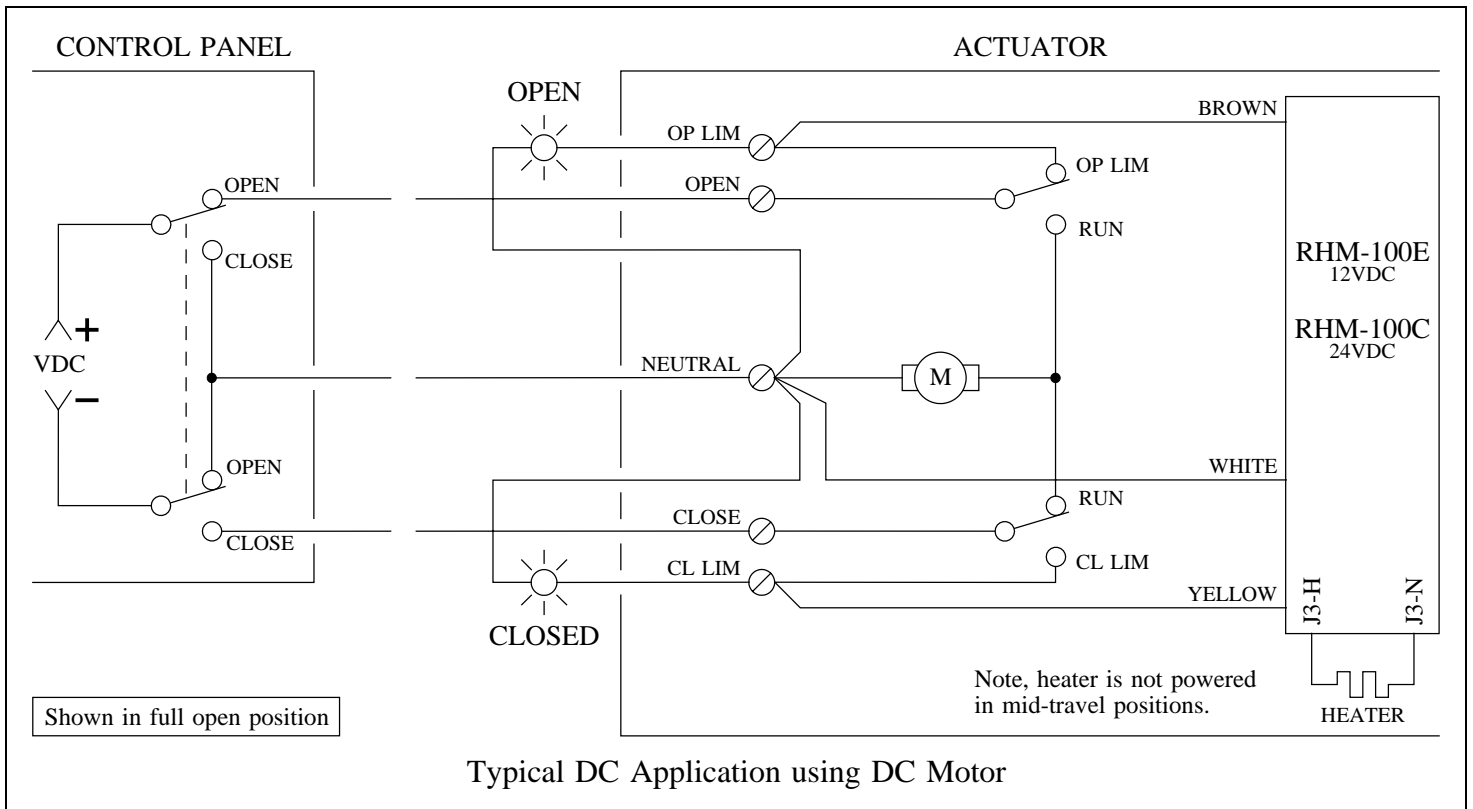
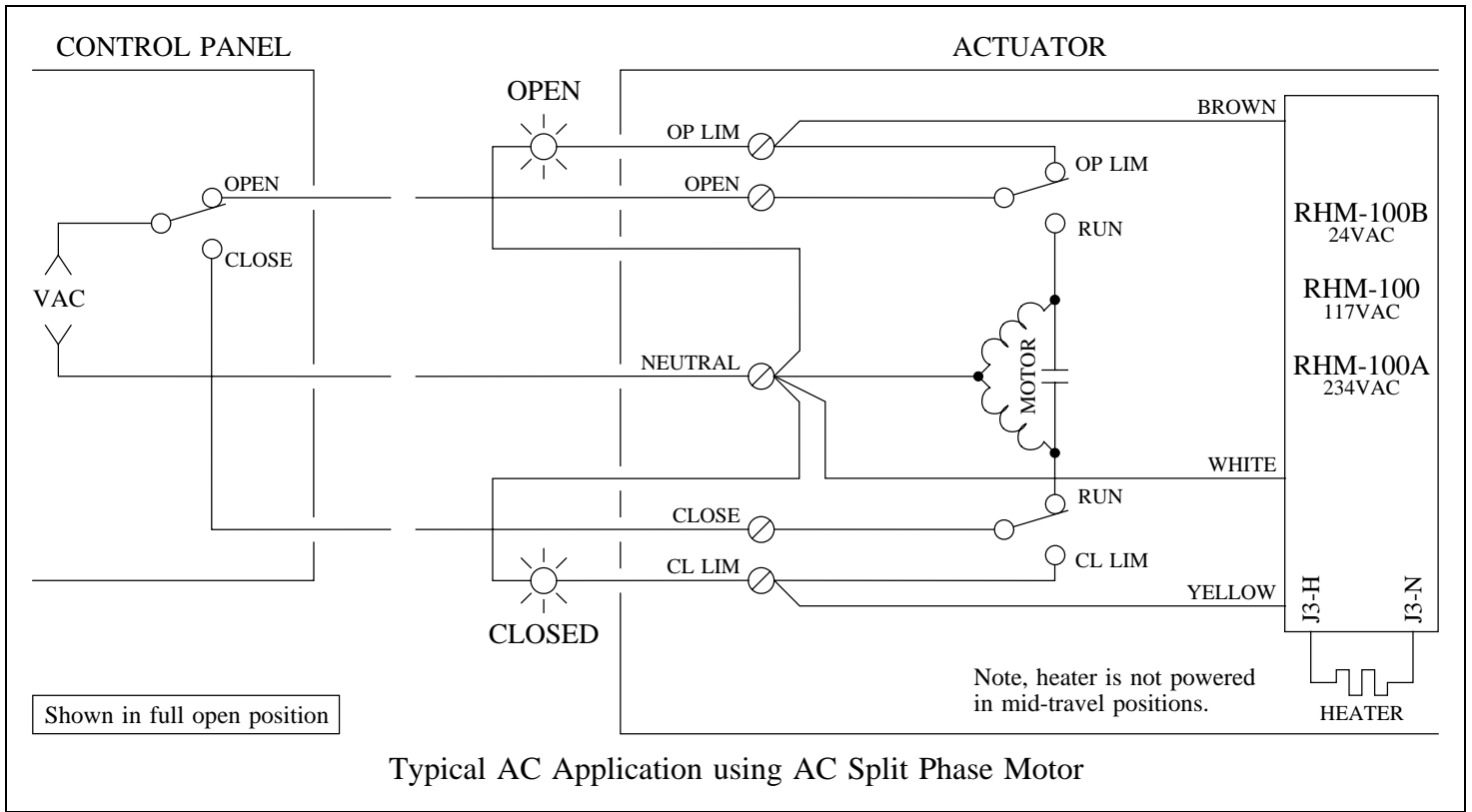


PIGTAIL

to NEUTRAL and Motor Limit Switches



WIRING DIAGRAMS



WIRING DIAGRAMS

