

RCS Sure 49-5, 49-15, 49-30 Actuators

---

**KIT CONTENTS**

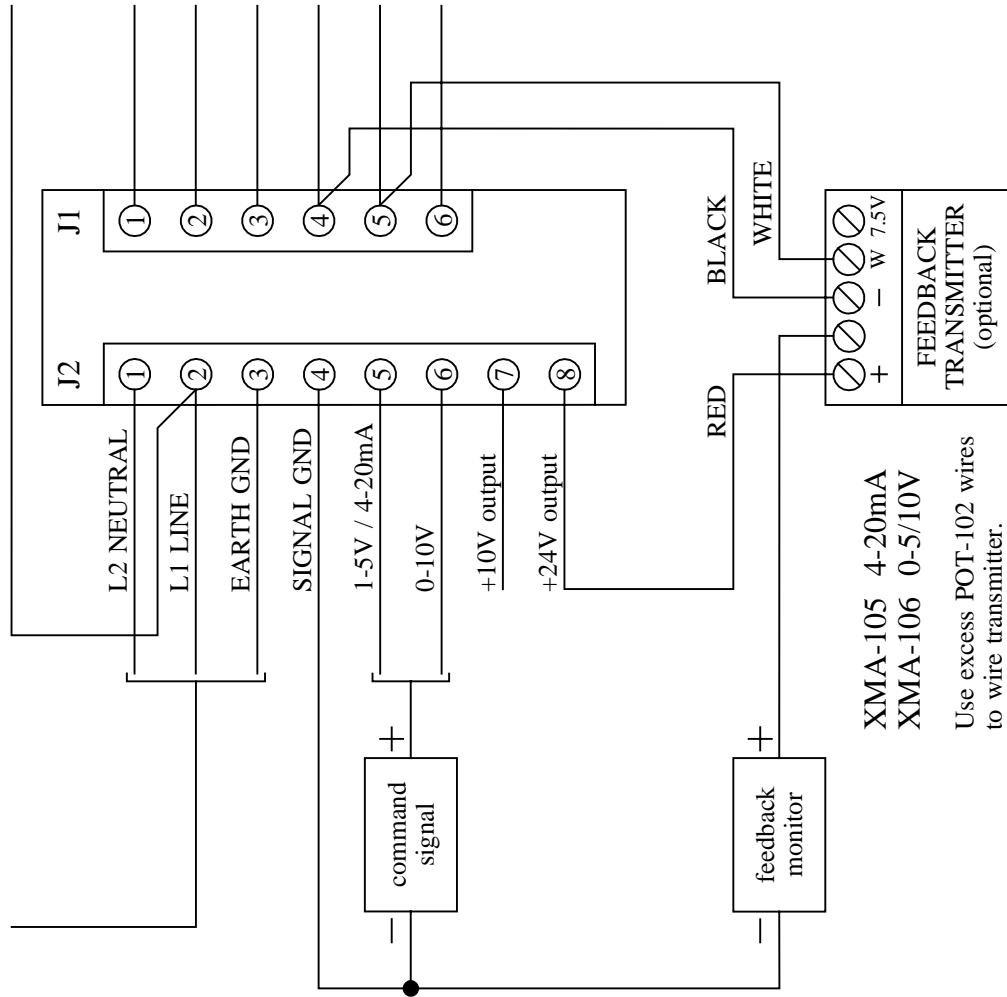
<b>QTY</b>	<b>DESCRIPTION</b>
1	actuator bracket
6	#6-32 x 0.375" pan head screw
6	#6 split ring lockwasher
1	potentiometer gear
1	output shaft gear
1	potentiometer anti-slip washer
1	14" red wire w/fork terminal
1	14" black wire w/fork terminal
1	14" yellow wire w/fork terminal
1	14" white/black wire
2	14" blue wire w/spade terminal
2	14" brown wire w/spade terminal
4	fork terminal
4	6.3" nylon tie wrap

# AC ANALOG / LOG RATE POSITIONERS (standard)

## WIRING DIAGRAM

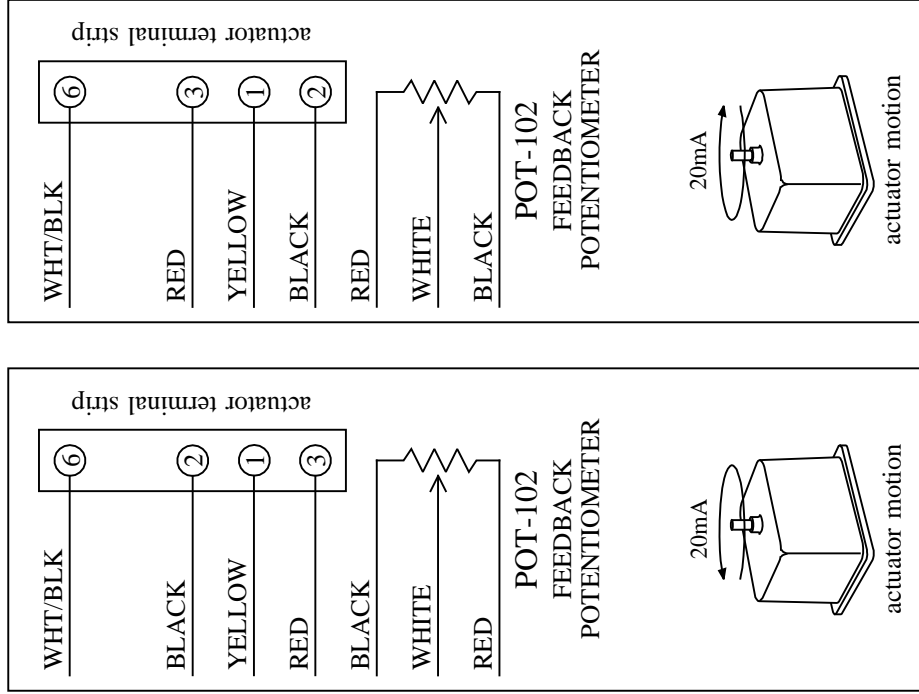
RCS Sure 49-5, 49-15, 49-30 Actuators

24VAC AMC-101E / LRC-101C / LRC-101I  
 117VAC AMC-101A / LRC-101A / LRC-101G  
 234VAC AMC-101C / LRC-101B / LRC-101H



XMA-105 4-20mA  
 XMA-106 0-5/10V

Use excess POT-102 wires to wire transmitter.



REVERSE ACTING

DIRECT ACTING