

## RCT-101

### Repeat Cycle Timer

The Peaktronics RCT-101 Repeat Cycle Timer is a compact module that extends the operating time of AC actuators by pulsing the motor on and off. Extending the cycle time of an actuator can avoid problems associated with water hammer and control system instabilities.

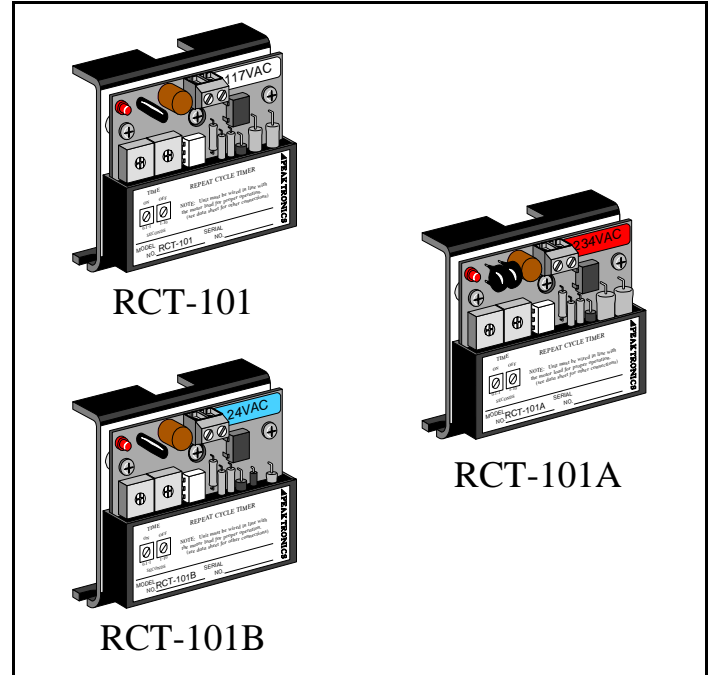
The RCT-101 has only two connections and can be easily added to new or existing installations. The unit is merely connected in-line with one of the motor wires, as shown in the wiring diagram below, using the two position screw terminal on the unit. An on-board replaceable fuse limits the load current to 6.3A at 60°C.

Connecting an RCT-101 in series with the *open* wire will allow the unit to only control the open cycle time. Likewise, the unit can be connected to the *close* wire to control the close cycle only. Using two units connected to both the *open* and *close* wires allows the open and close cycles to be controlled independently. A single RCT-101 unit could be connected to the motor *neutral* wire that would control both open and close cycles equally.

The ON time is adjustable from 0.1 to 1 second, and the OFF time is adjustable from 1 to 10 seconds. The on-board LED indicator aids in setting the ON/OFF times by turning on and off with the load.

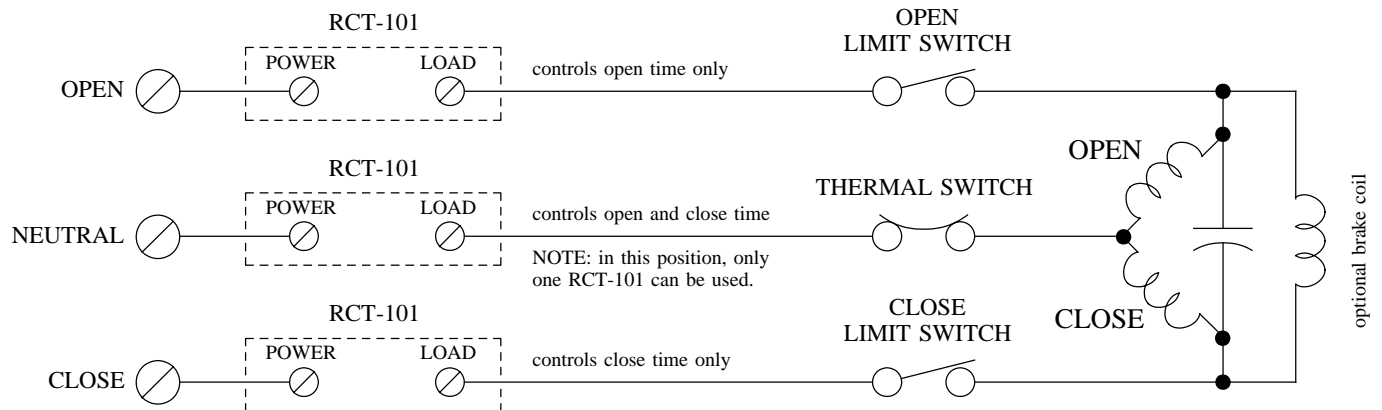
The unit can be used with Peaktronics AMC-100/101/103 AC motor controllers in process control applications, or it can be used as a stand alone unit in ON/OFF applications. The unit draws power from a low trickle current through the motor, allowing it to be used with actuators that have an optional brake coil.

The encapsulated enclosure with wrap around bracket makes it rugged and easy to mount to square or round body motors using the two provided tie wraps. Other mounting configurations are possible using an



MTB-102 Mounting Bracket. The unit is available in three AC voltage versions:

RCT-101	117VAC ±10%	50/60 Hz
RCT-101A	234VAC ±10%	50/60 Hz
RCT-101B	24VAC ±10%	50/60 Hz



# OUTLINE

RCT-101	117VAC
RCT-101A	234VAC
RCT-101B	24VAC

