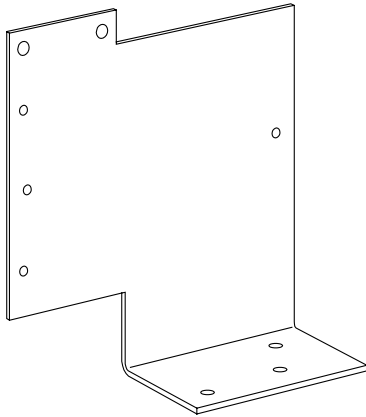
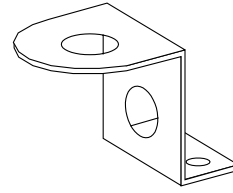


KIT CONTENTS



A



B



C



D



E



F

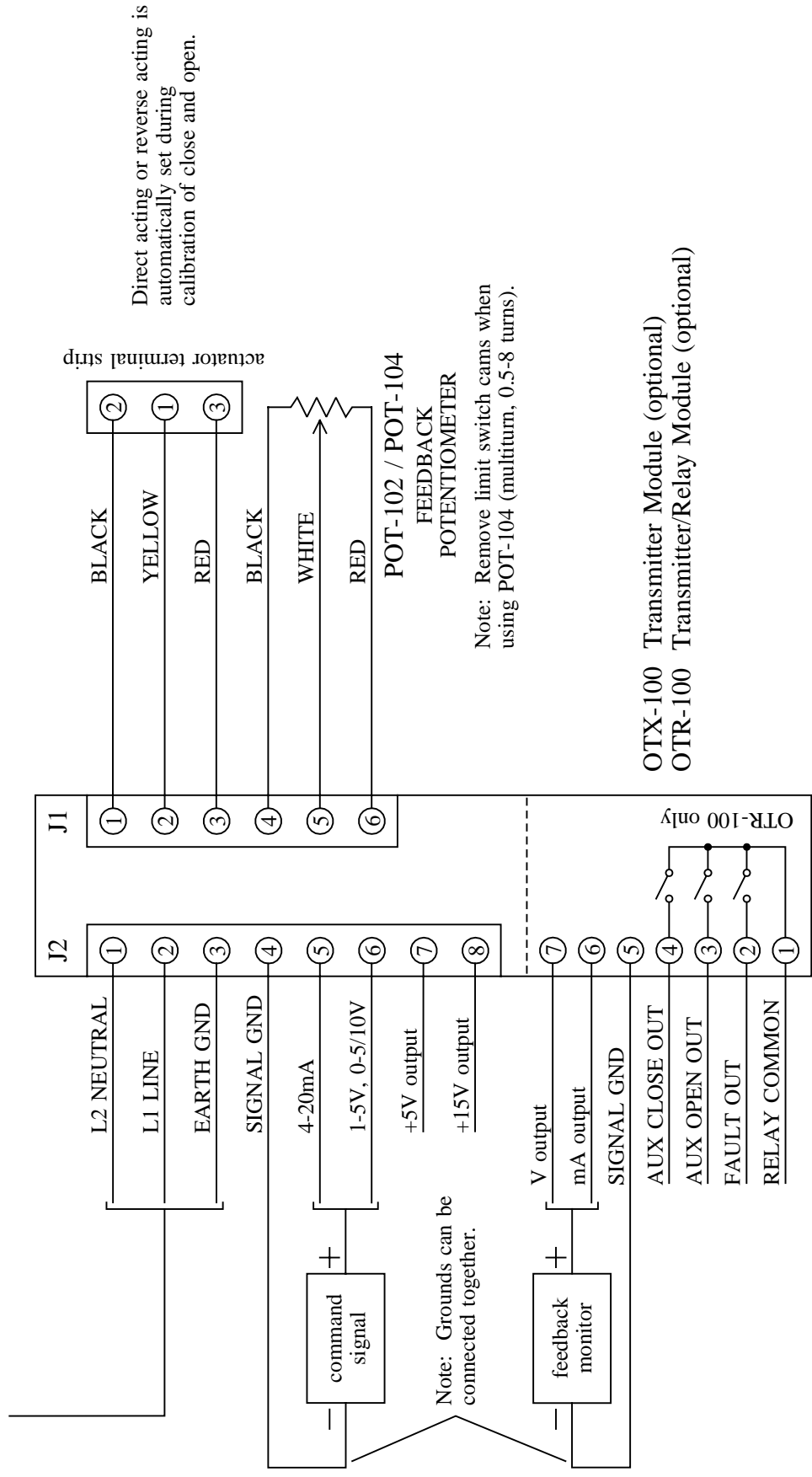
ITEM	QTY	DESCRIPTION
A	1	positioner bracket
B	1	feedback potentiometer bracket
C	2	#6-32 X 0.5" pan head screw
D	6	#6-32 X 0.375" pan head screw
E	8	#6 split ring lockwasher
F	2	#8-32 X 0.25" set screw
not shown	1	14" yellow wire w/fork terminal
not shown	1	14" black wire w/fork terminal
not shown	1	14" red wire w/fork terminal
not shown	1	14" brown wire w/fork terminal (used on DC units only)
not shown	1	14" blue wire w/fork terminal (used on DC units only)
not shown	2	6.3" nylon tie wrap

AC DIGITAL POSITIONERS

WIRING DIAGRAM

RCS Group 12 Models MAR-100, -160, -250, -800 Actuators

117VAC DHC-100
 234VAC DHC-100A
 24VAC DHC-100B



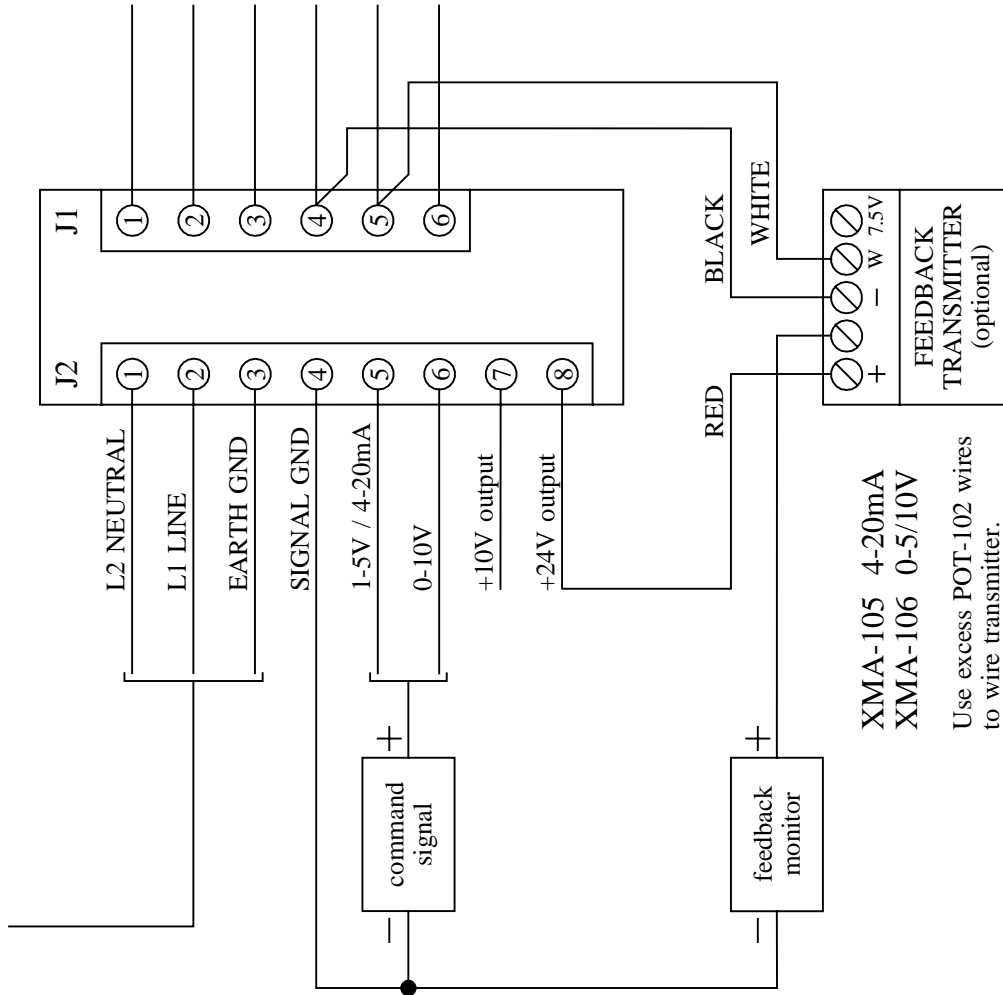
OTX-100 Transmitter Module (optional)
 OTR-100 Transmitter/Relay Module (optional)

AC ANALOG / LOG RATE POSITIONERS

WIRING DIAGRAM

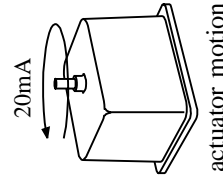
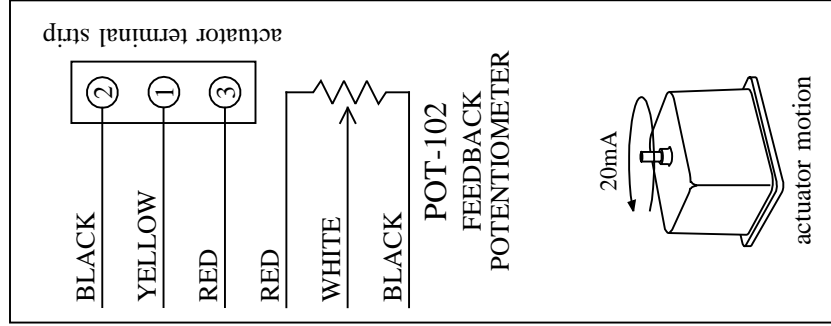
RCS Group 12 Models MAR-100, -160, -250, -800 Actuators

- 117VAC AMC-100A / AMC-101A / LRC-101A
- 234VAC AMC-100C / AMC-101C / LRC-101B
- 24VAC AMC-101E / LRC-101C

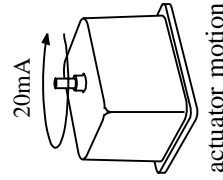
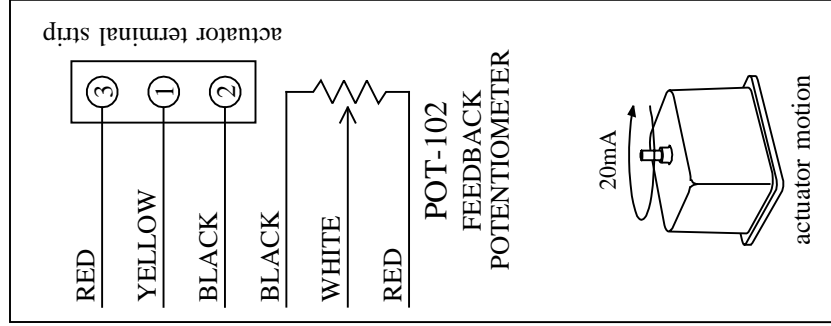


XMA-105 4-20mA
XMA-106 0-5/10V

Use excess POT-102 wires to wire transmitter.



DIRECT ACTING



REVERSE ACTING

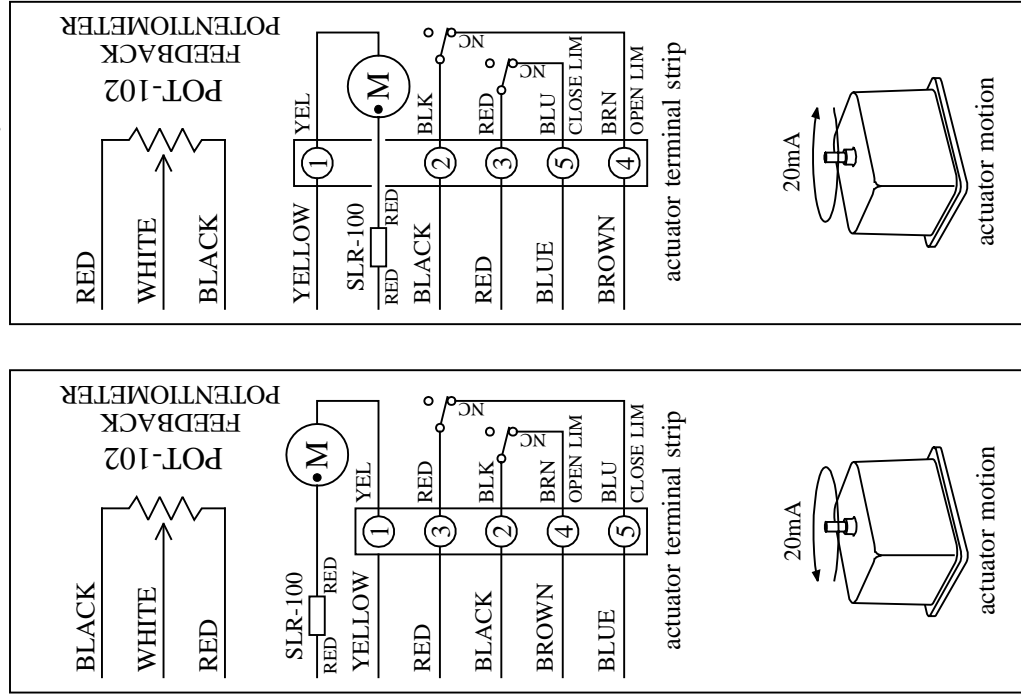
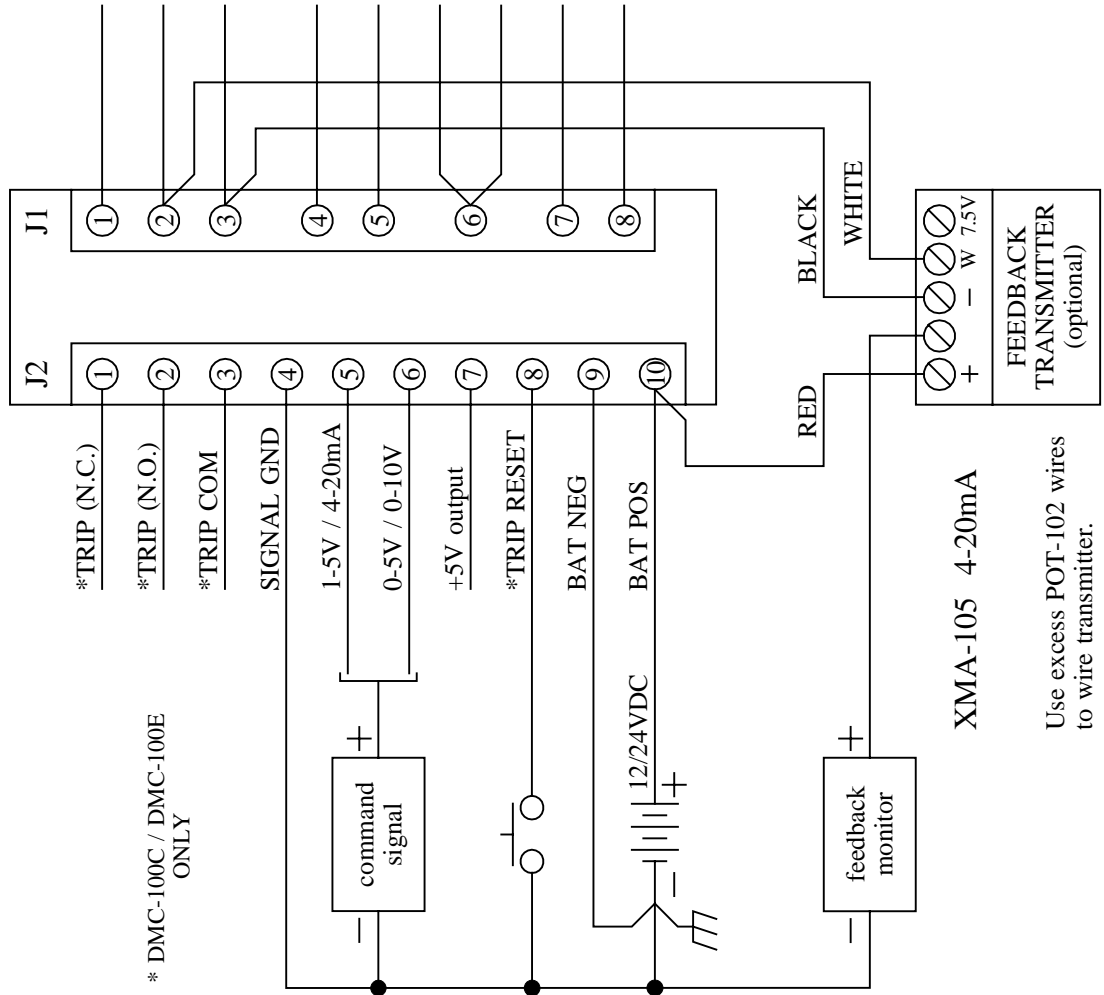
DC ANALOG POSITIONERS

WIRING DIAGRAM

RCS Group 12 Models DCR-100, -160, -250, -800 Actuators

DMC-100A / DMC-100C / DMC-100E

NOTE: SLR-100 Surge Limiting Resistor is required with 12VDC DCR-250-8 and 12VDC DCR-800-30 only.



XMA-105 4-20mA

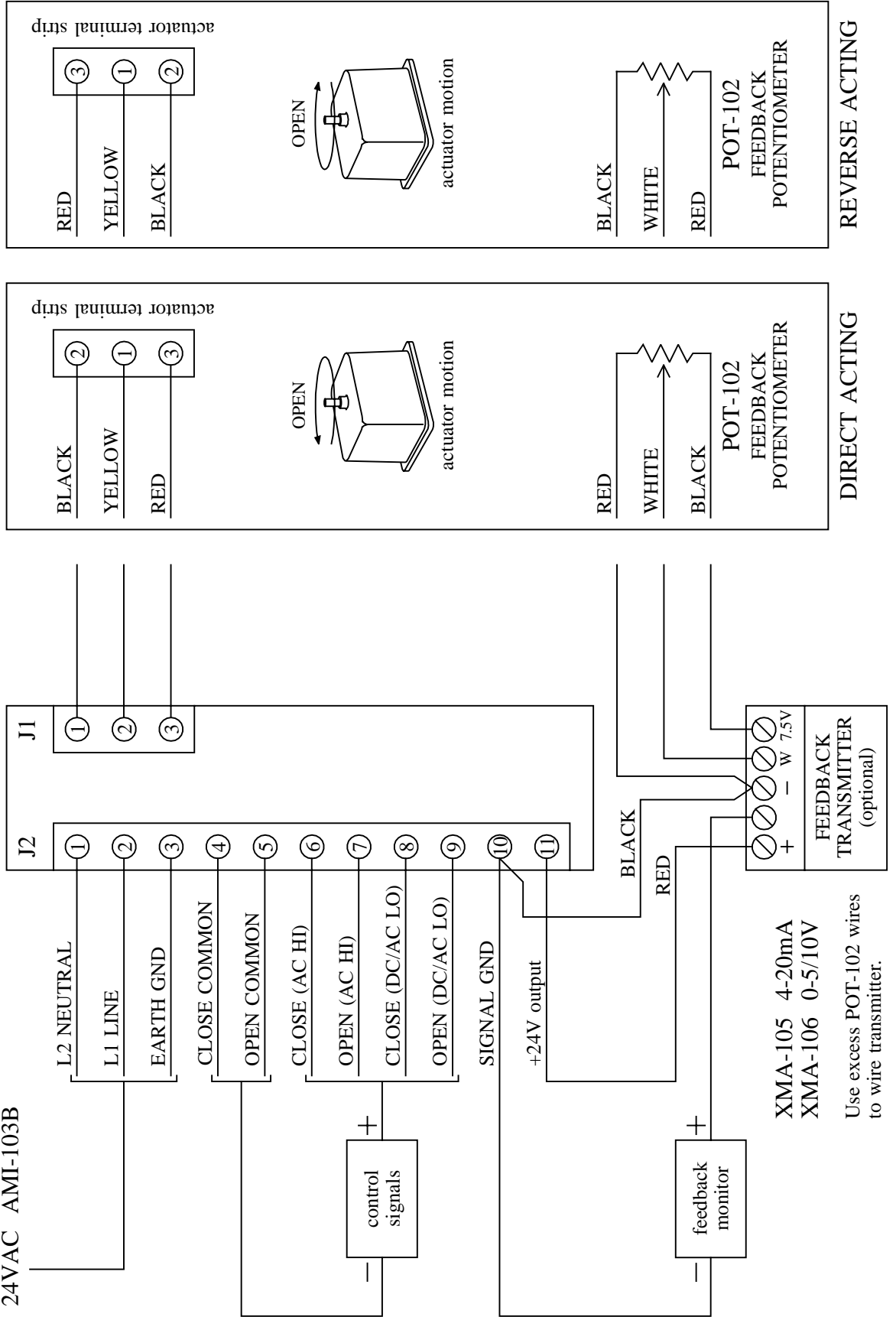
Use excess POT-102 wires to wire transmitter.

AC ON/OFF CONTROLLERS

WIRING DIAGRAM

RCS Group 12 Models MAR-100, -160, -250, -800 Actuators

117VAC AMI-103
 234VAC AMI-103A
 24VAC AMI-103B



XMA-105 4-20mA
 XMA-106 0-5/10V
 Use excess POT-102 wires to wire transmitter.