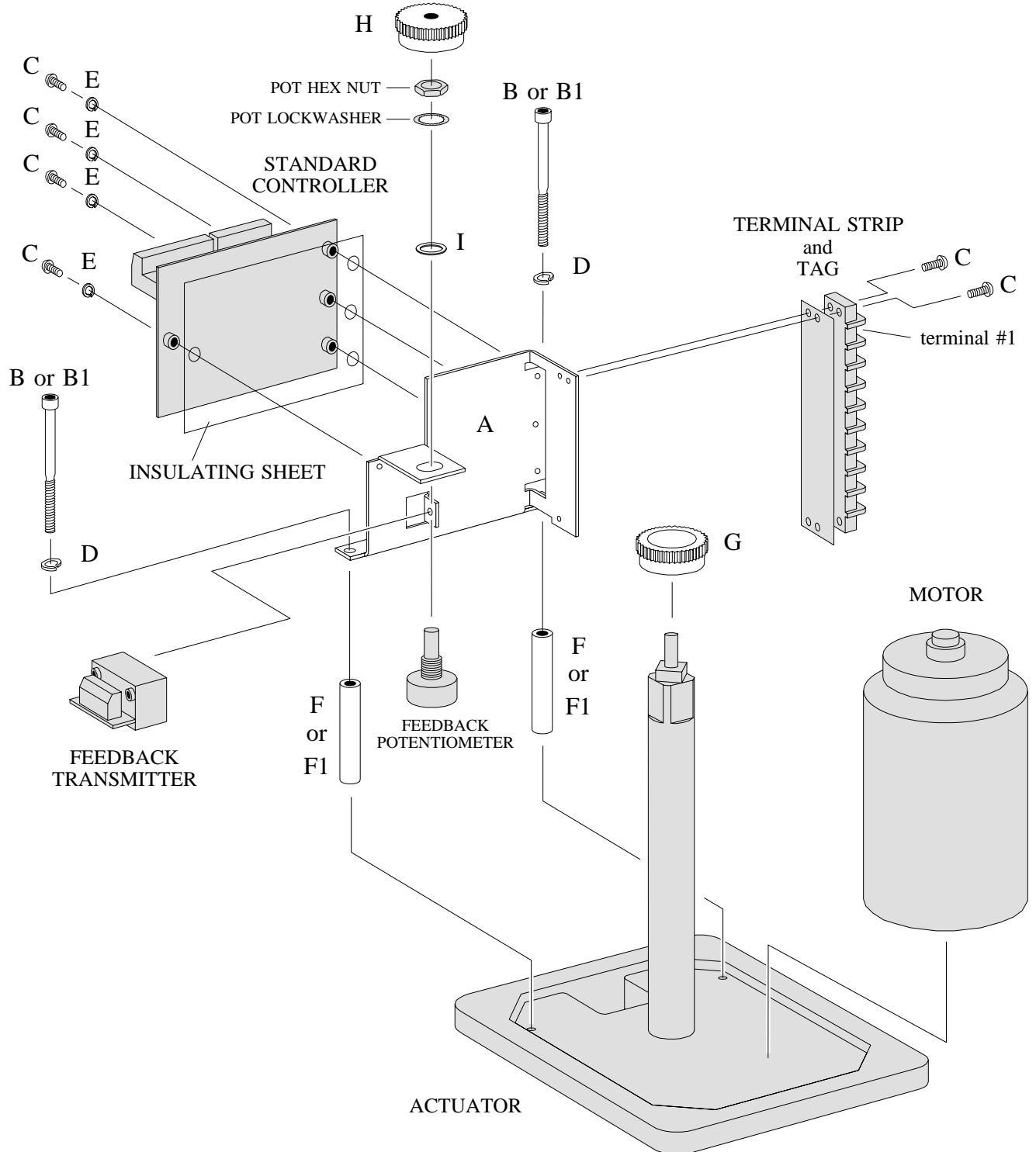
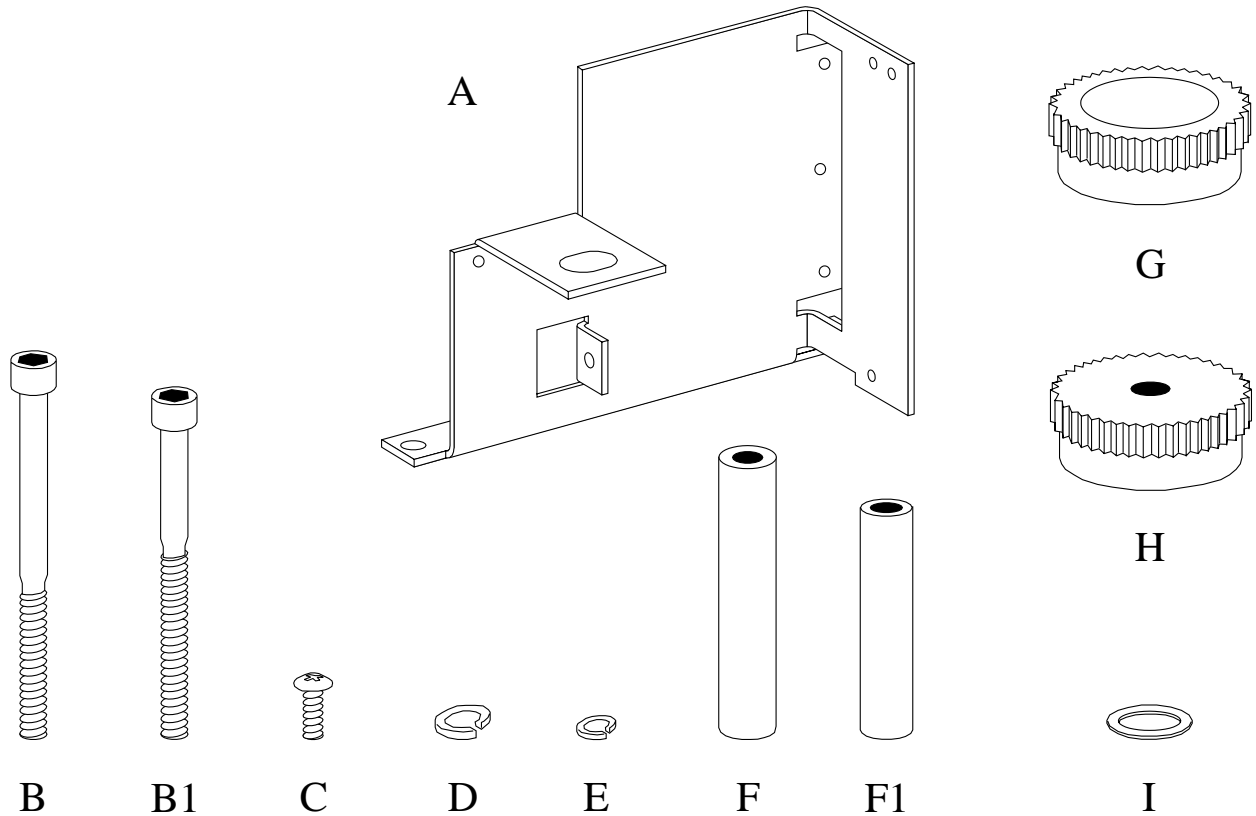


ASSEMBLY DIAGRAM

RCS Group 9 Models DCR/MAR-10, -50, -90 Actuators



KIT CONTENTS



ITEM	QTY	DESCRIPTION
A	1	positioner bracket
B	2	#10-24 X 2.25" socket head cap screw
B1*	2	#10-24 X 2" socket head cap screw
C	6	#6-32 X 0.375" pan head screw
D	2	#10 split ring lockwasher
E	4	#6 split ring lockwasher
F	2	1.75" round spacer
F1*	2	1.44" round spacer
G	1	output shaft gear
H	1	potentiometer gear
I	1	potentiometer anti-slip washer
not shown	1	#6-32 X 0.375" socket head cap screw (for mounting transmitter)
not shown	1	#6 X 0.25" dia X 0.312" long nylon spacer (for auxiliary switch mounting)
not shown	1	11" yellow wire w/fork terminal
not shown	1	11" black wire w/fork terminal
not shown	1	11" red wire w/fork terminal
not shown	1	11" brown wire w/fork terminal (used on DC units only)
not shown	1	11" blue wire w/fork terminal (used on DC units only)
not shown	2	6.3" nylon tie wrap

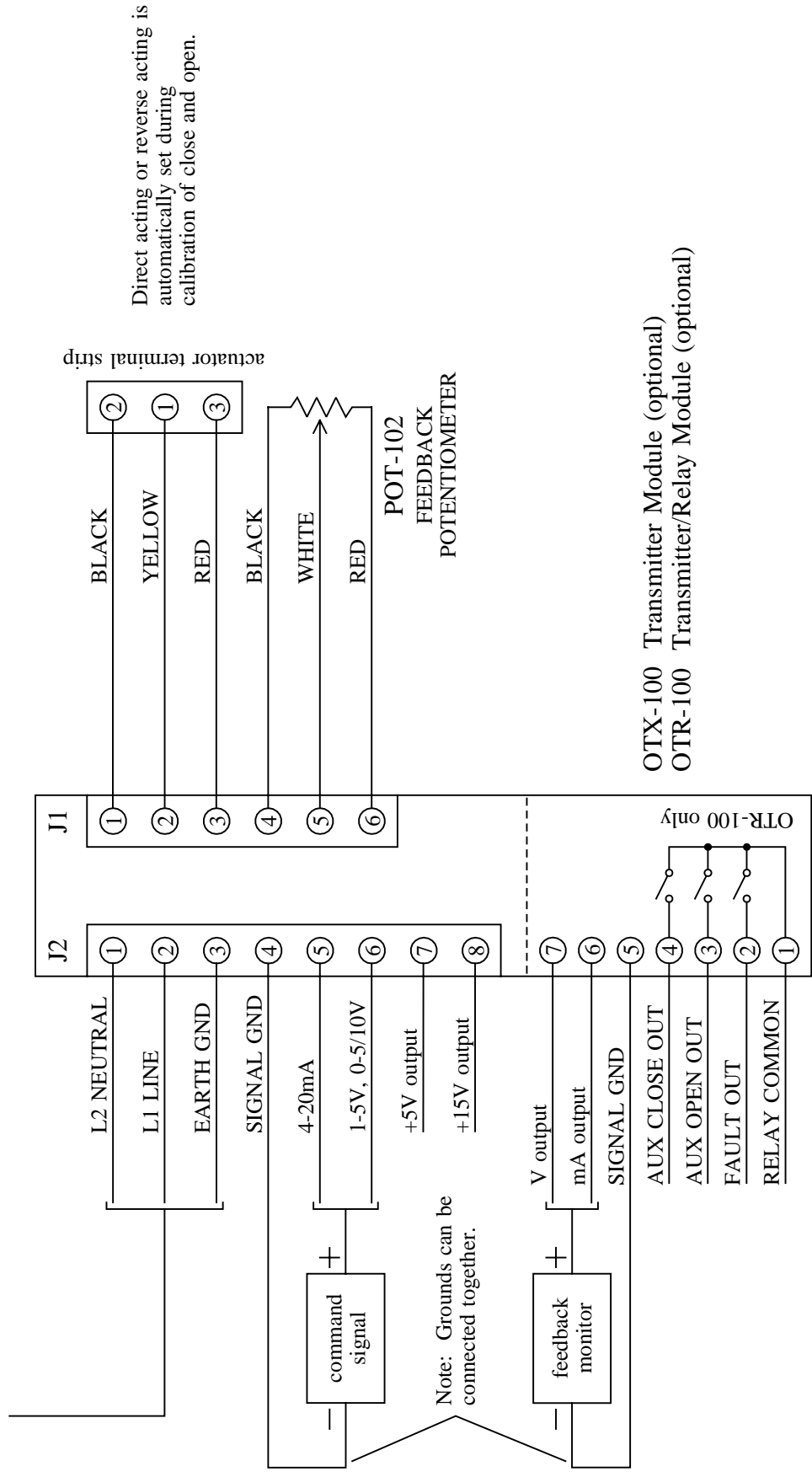
* Use these parts when mounting in actuators with a NEMA 7 cover. Note that only one auxiliary switch can be used when these parts are installed.

AC DIGITAL POSITIONERS

WIRING DIAGRAM

RCS Group 9 Models MAR-10, -50, -90 Actuators

117VAC DHC-100
 234VAC DHC-100A
 24VAC DHC-100B



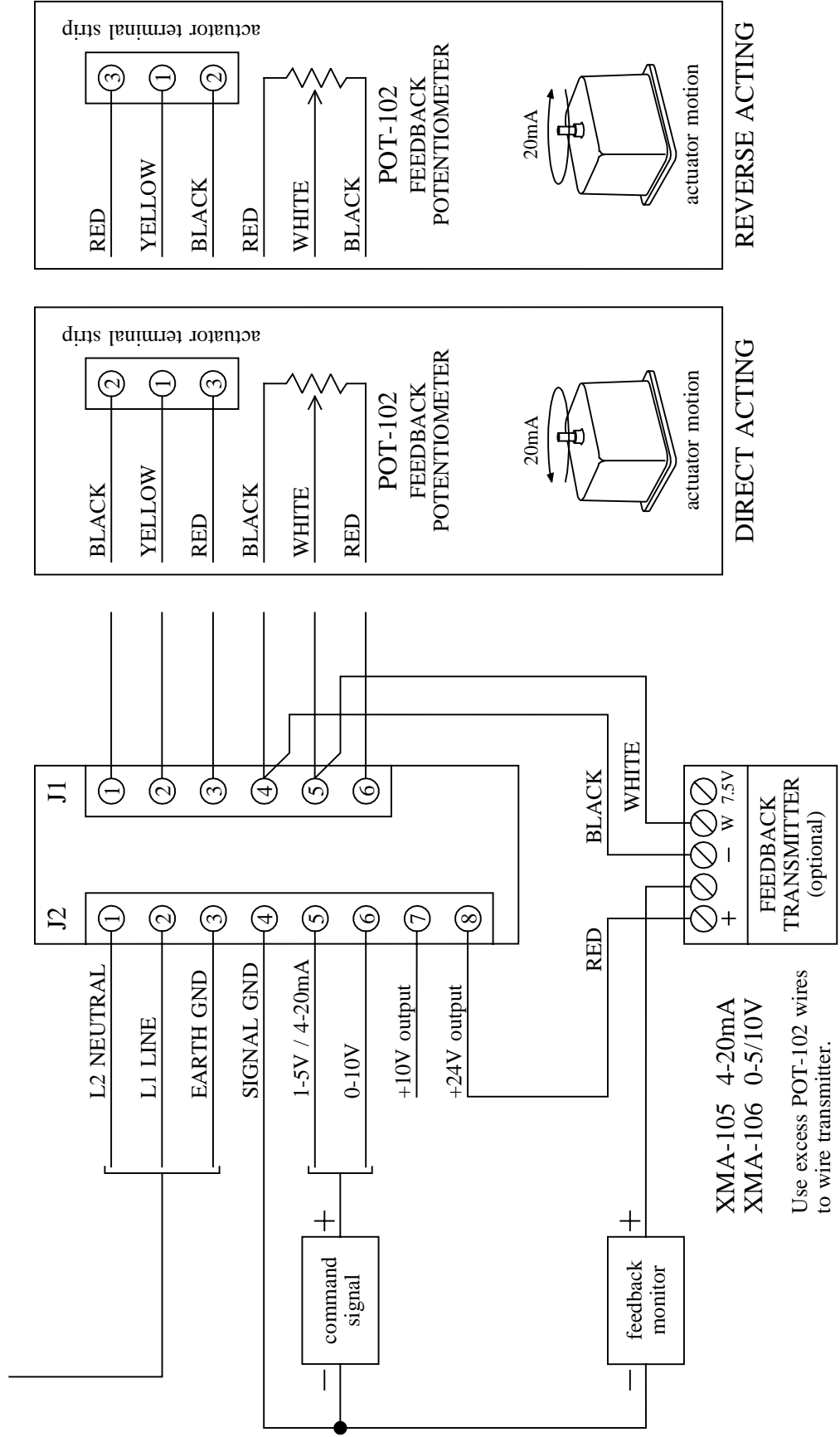
Direct acting or reverse acting is automatically set during calibration of close and open.

AC ANALOG / LOG RATE POSITIONERS (standard)

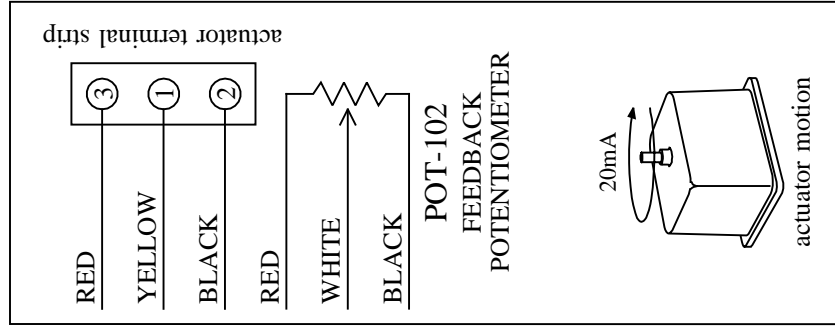
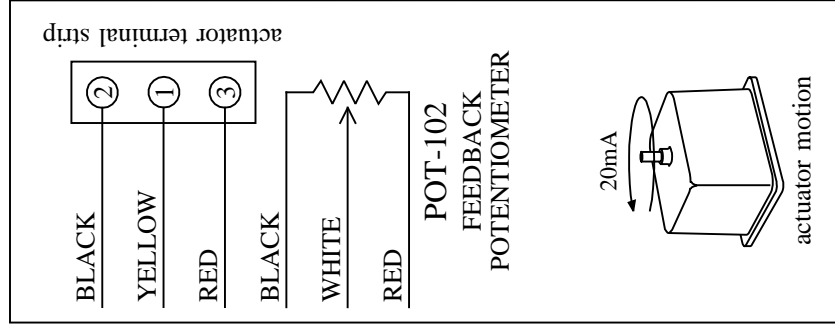
WIRING DIAGRAM

RCS Group 9 Models MAR-10, -50, -90 Actuators

- 117VAC AMC-100A / LRC-101A
- 234VAC AMC-100C / LRC-101B
- 24VAC AMC-100E / AMC-101E / LRC-101C



XMA-105 4-20mA
 XMA-106 0-5/10V
 Use excess POT-102 wires to wire transmitter.



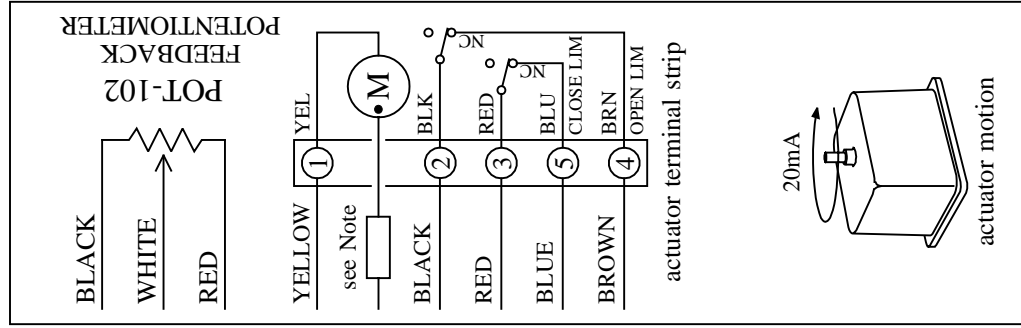
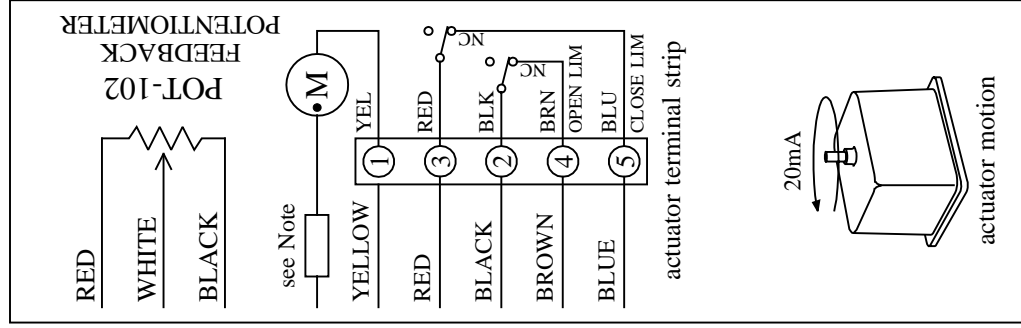
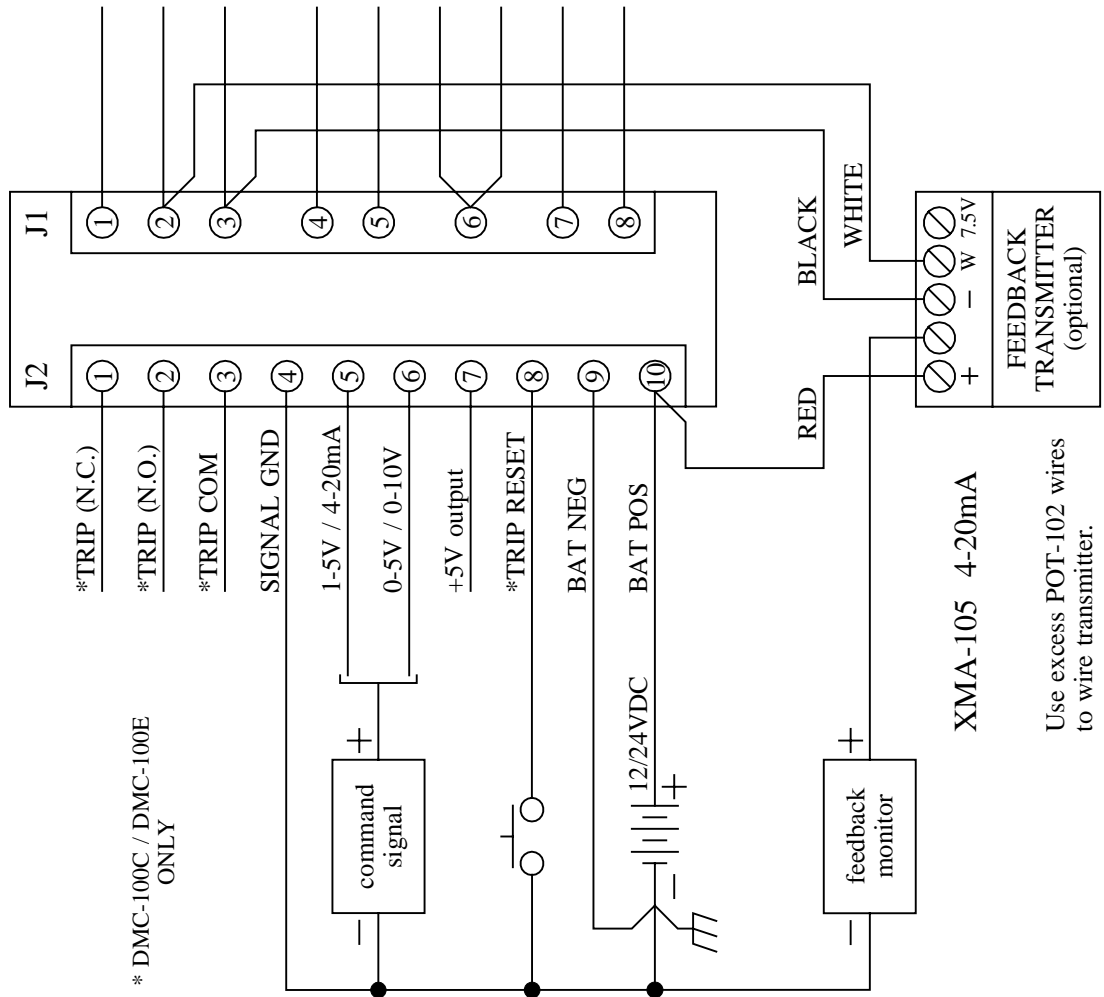
DC ANALOG POSITIONERS

WIRING DIAGRAM

RCS Group 9 Models DCR-10, -50, -90 Actuators

DMC-100A / DMC-100C / DMC-100E

NOTE: 12VDC DCR-50-2 requires an SLR-100 Surge Limiting Resistor.

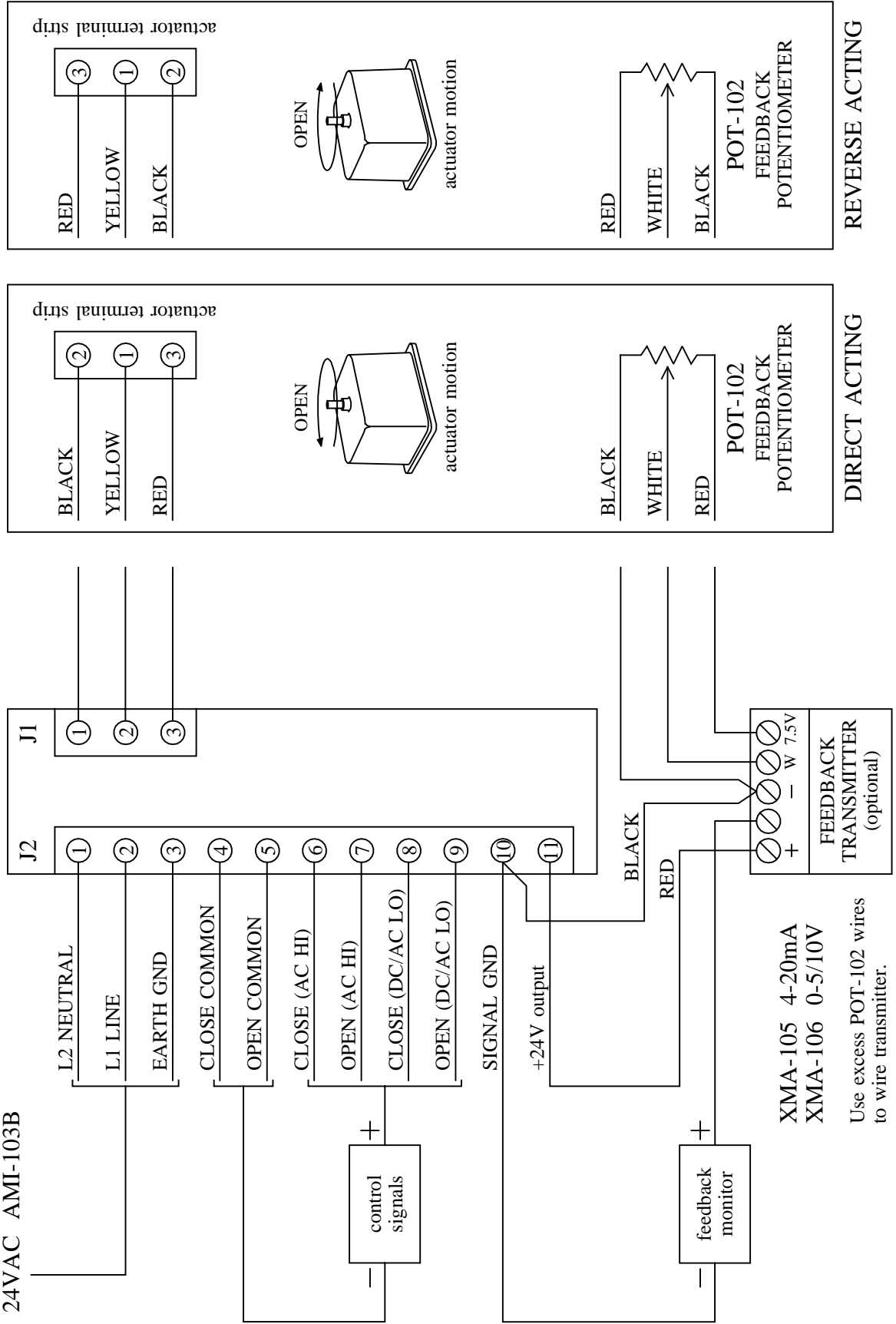


AC ON/OFF CONTROLLERS

WIRING DIAGRAM

RCS Group 9 Models MAR-10, -50, -90 Actuators

117VAC AMI-103
 234VAC AMI-103A
 24VAC AMI-103B



XMA-105 4-20mA
 XMA-106 0-5/10V
 Use excess POT-102 wires to wire transmitter.

DC ON/OFF CONTROLLERS

WIRING DIAGRAM

RCS Group 9 Models DCR-10-10, DCR-50-10, DCR-50-30, DCR-50-60, DCR-90-15 Actuators

RCM-101A / RCM-101C

NOTE: DCR-50-10 and DCR-90-15 24VDC only.

