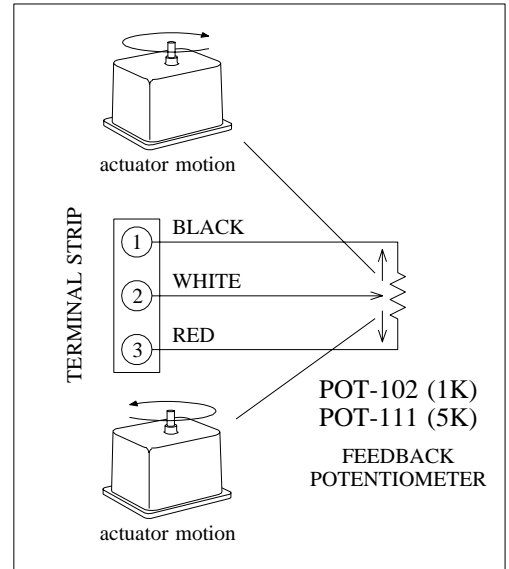
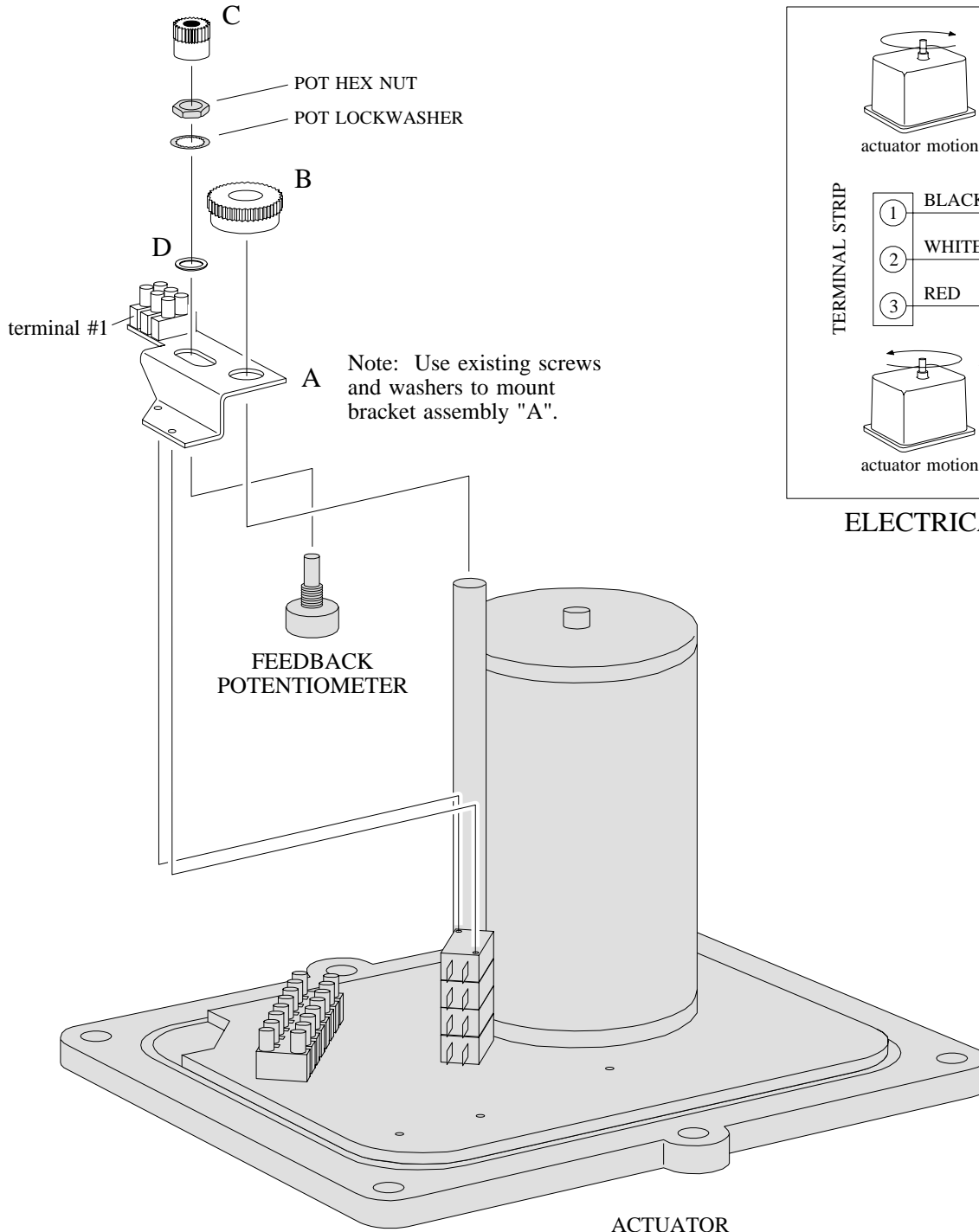
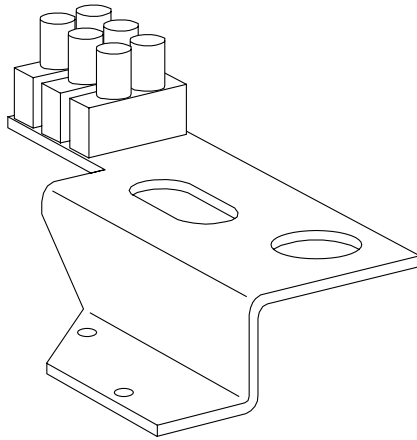
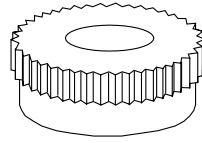
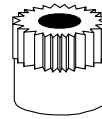


ASSEMBLY DIAGRAM  
for  
Tyco EPI-6, -13, -36, -51 Actuators



ELECTRICAL DIAGRAM

**KIT CONTENTS****A****B****C****D**

<b>ITEM</b>	<b>QTY</b>	<b>DESCRIPTION</b>
A	1	feedback potentiometer bracket assembly (includes 3 pin terminal strip)
B	1	output shaft gear
C	1	potentiometer gear
D	1	potentiometer anti-slip washer