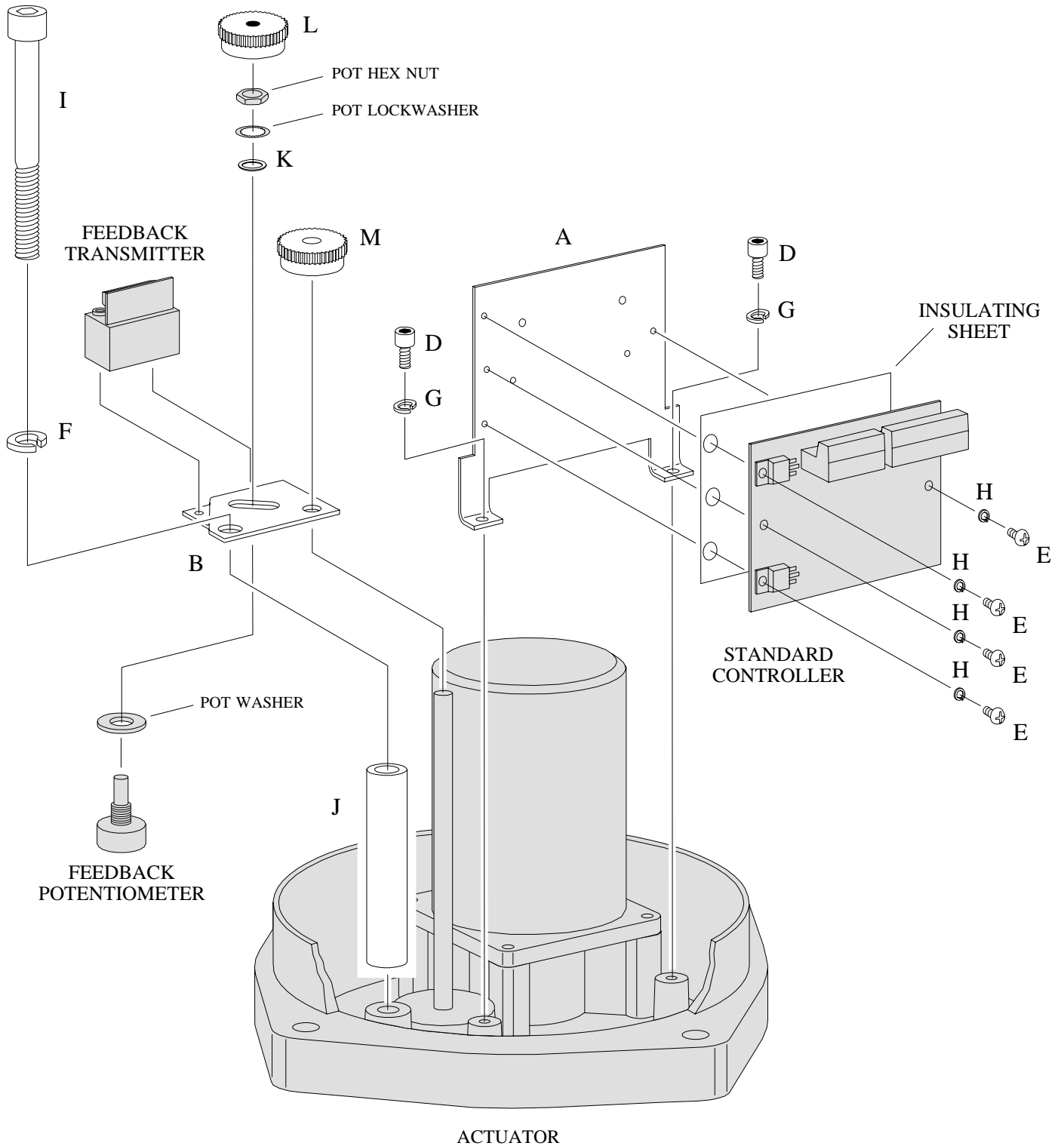


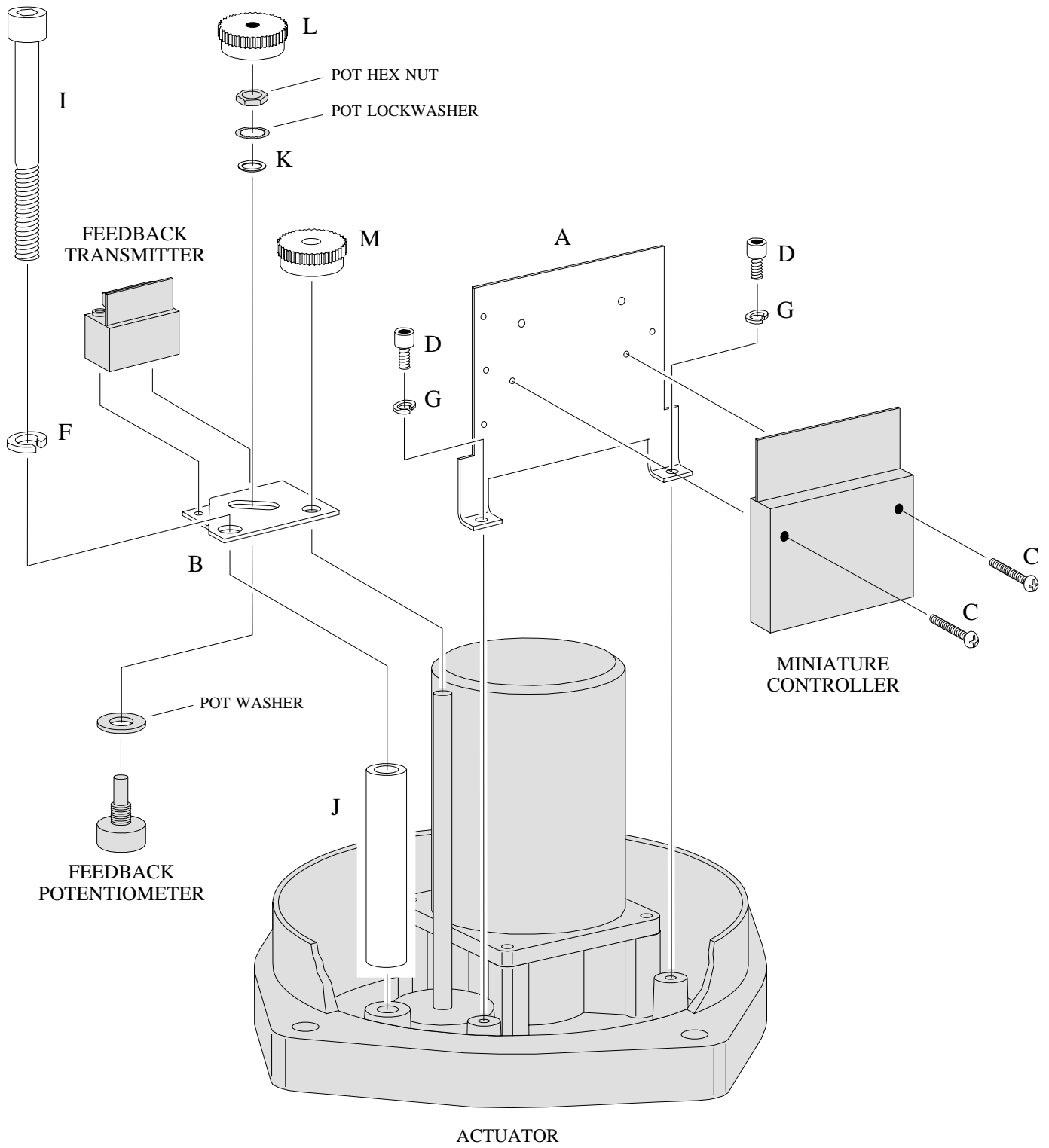
ASSEMBLY DIAGRAM

HKC HQ-015, -020, -030, -050, -060, -080, -120, -200, -300 Actuators

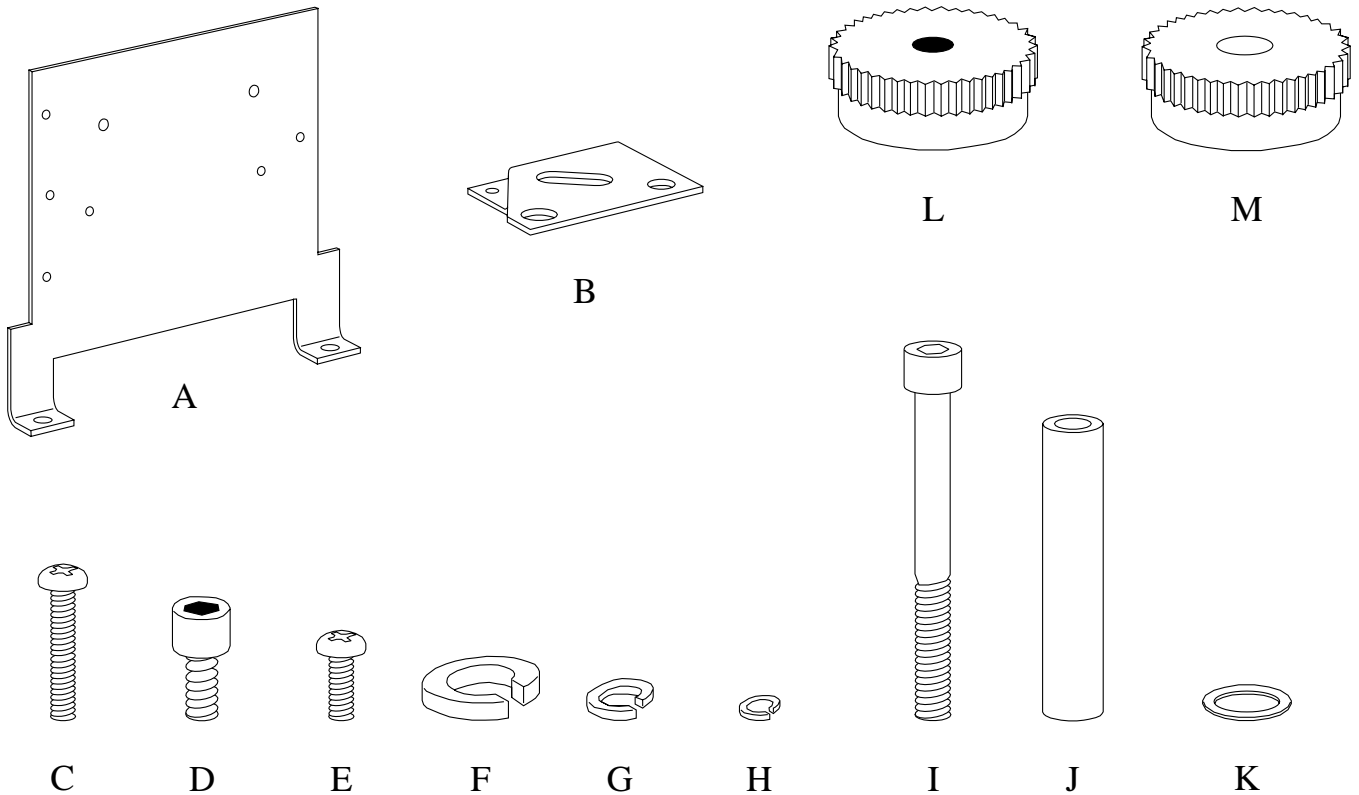


ASSEMBLY DIAGRAM

HKC HQ-015, -020, -030 Actuators



KIT CONTENTS



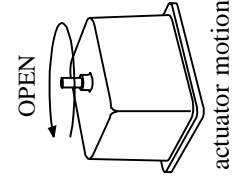
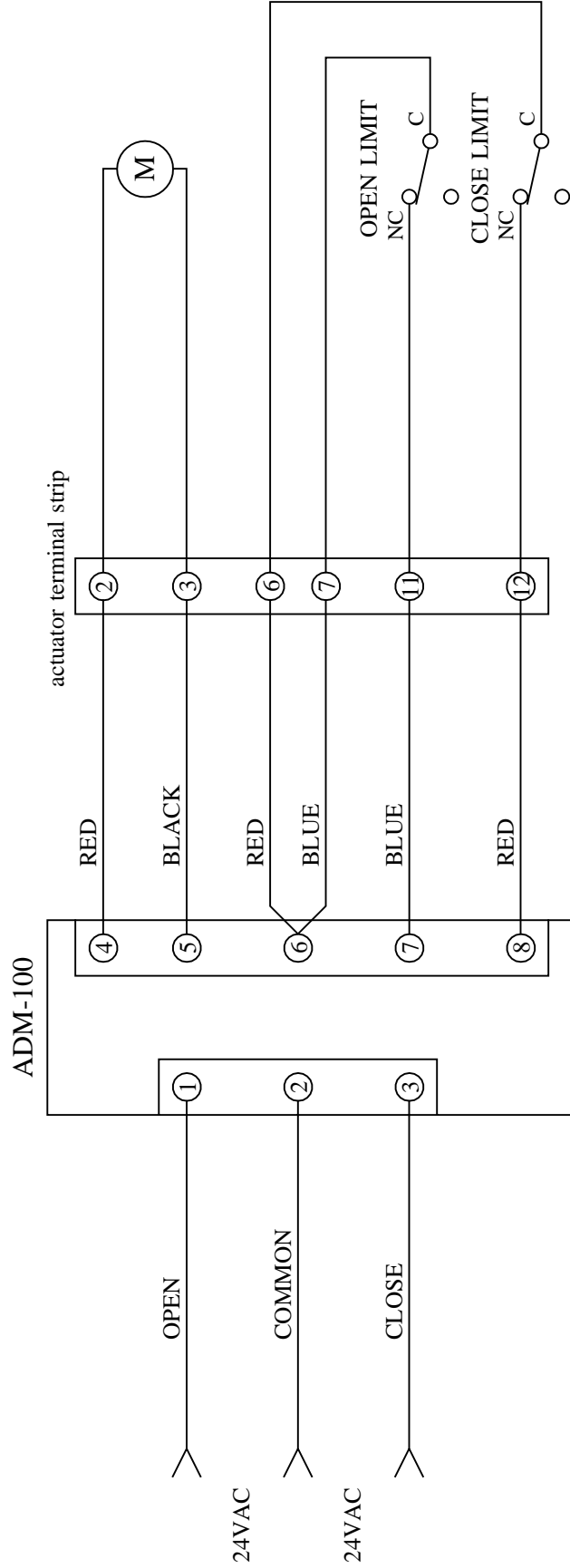
ITEM	QTY	DESCRIPTION
A	1	positioner bracket
B	1	potentiometer bracket
C	2	#6-32 X 0.75" pan head screw
D	2	5mm/0.8mm X 10mm socket head cap screw
E	4	#6-32 X 0.375" pan head screw
F	1	10mm split ring lockwasher
G	2	5mm split ring lockwasher
H	4	#6 split ring lockwasher
I	1	10mm/1.5mm X 90mm socket head cap screw
J	1	3.1" round spacer
K	1	potentiometer anti-slip washer
L	1	potentiometer gear
M	1	output shaft gear
not shown	4	12" red wire
not shown	2	12" blue wire
not shown	1	12" white wire
not shown	2	12" black wire
not shown	4	6.3" nylon tie wrap

AC to DC MODULE

WIRING DIAGRAM

HKC HQ-015, -020, -030 Actuators

The ADM-100 AC to DC Module allows a 24VDC actuator to be controlled like a 24VAC split-phase motor actuator.

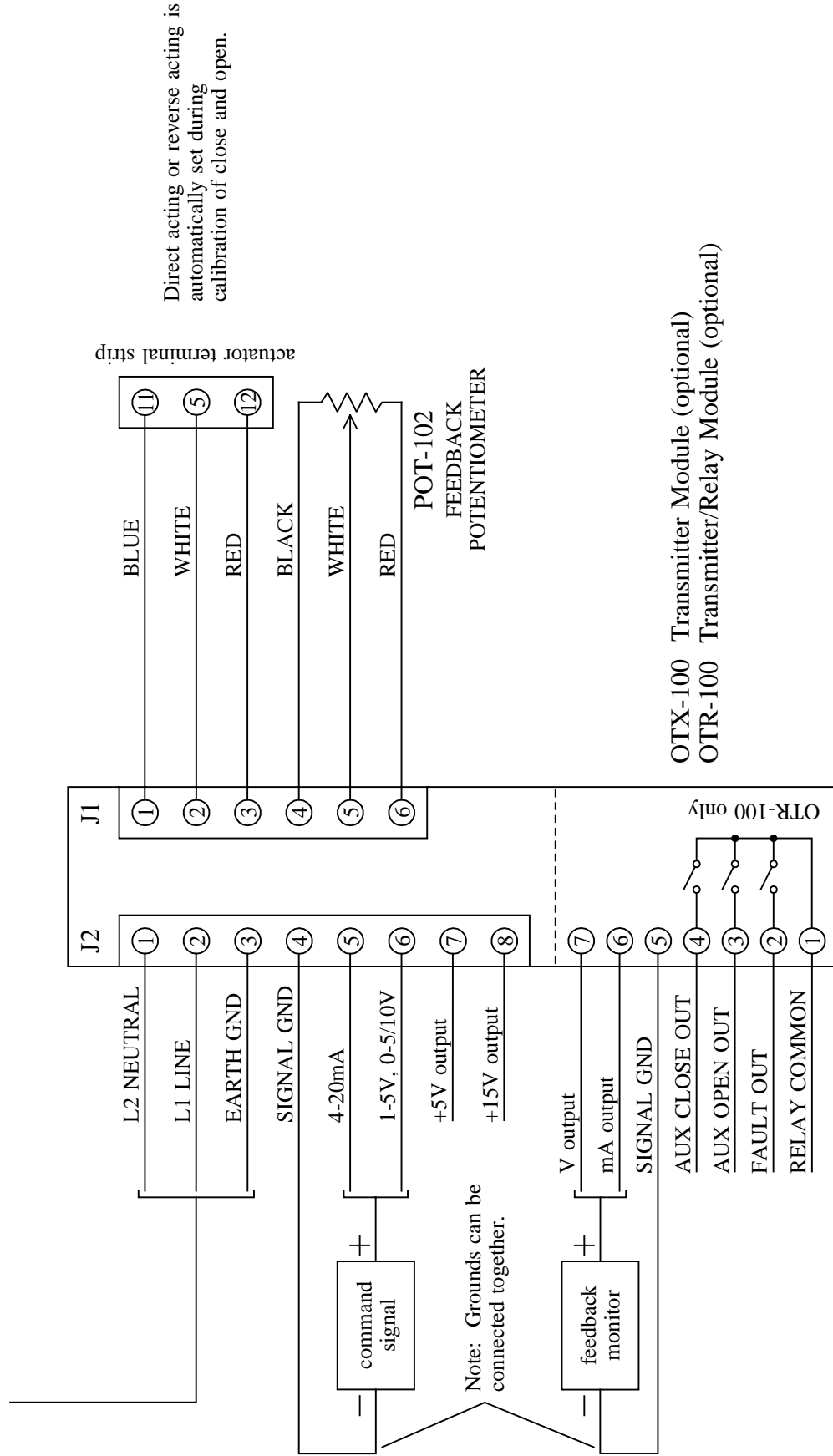


AC DIGITAL POSITIONERS

WIRING DIAGRAM

HKC HQ-015, -020, -030, -050, -060, -080, -120, -200, -300 Actuators

117VAC DHC-100
234VAC DHC-100A



OTX-100 Transmitter Module (optional)
OTR-100 Transmitter/Relay Module (optional)

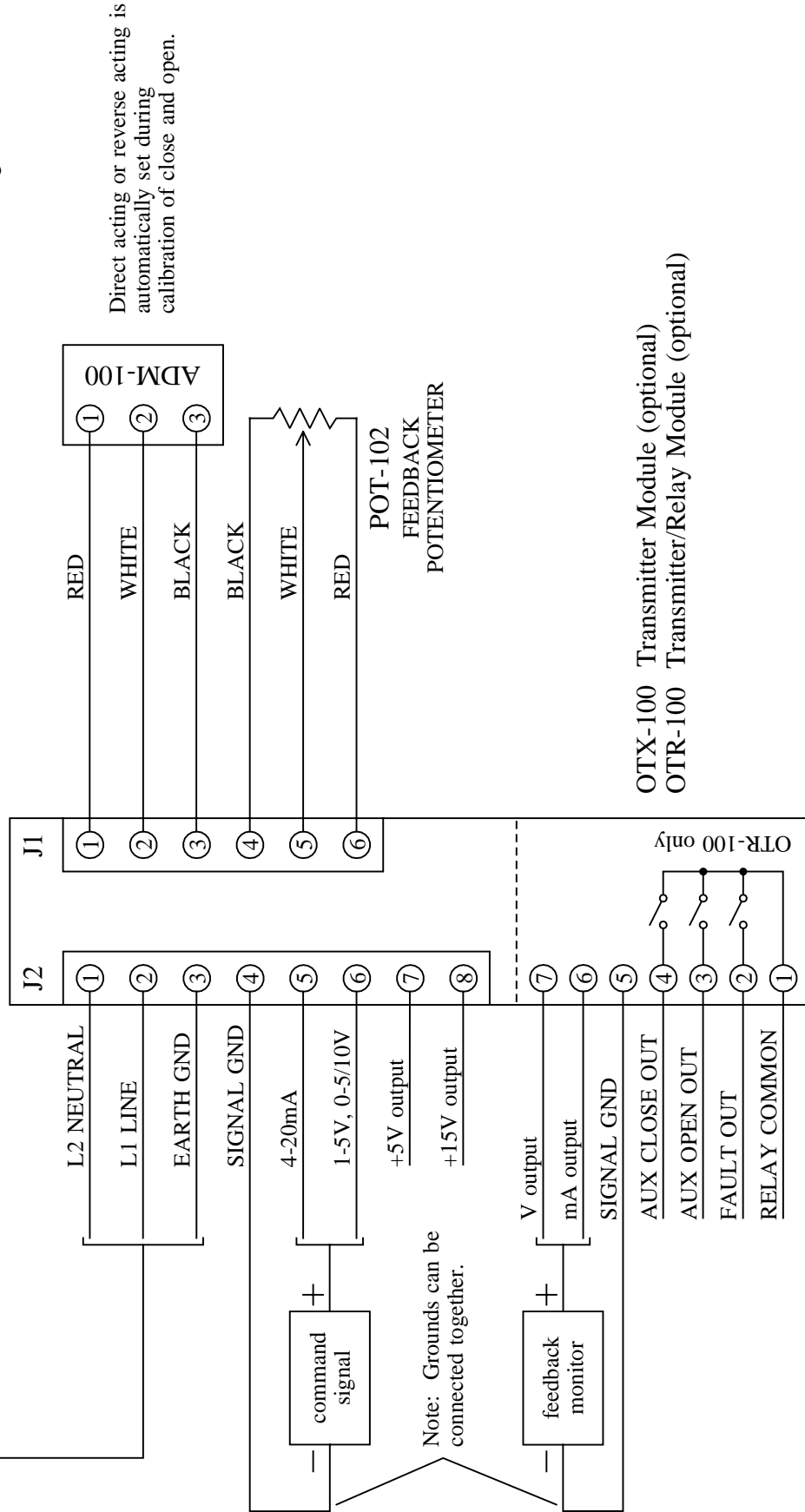
24VAC DIGITAL POSITIONER

WIRING DIAGRAM

HKC HQ-015, -020, -030 Actuators

24VAC DHC-100B

NOTE: This application uses a 24VDC actuator with an ADM-100 AC to DC Module installed. See ADM-100 wiring.

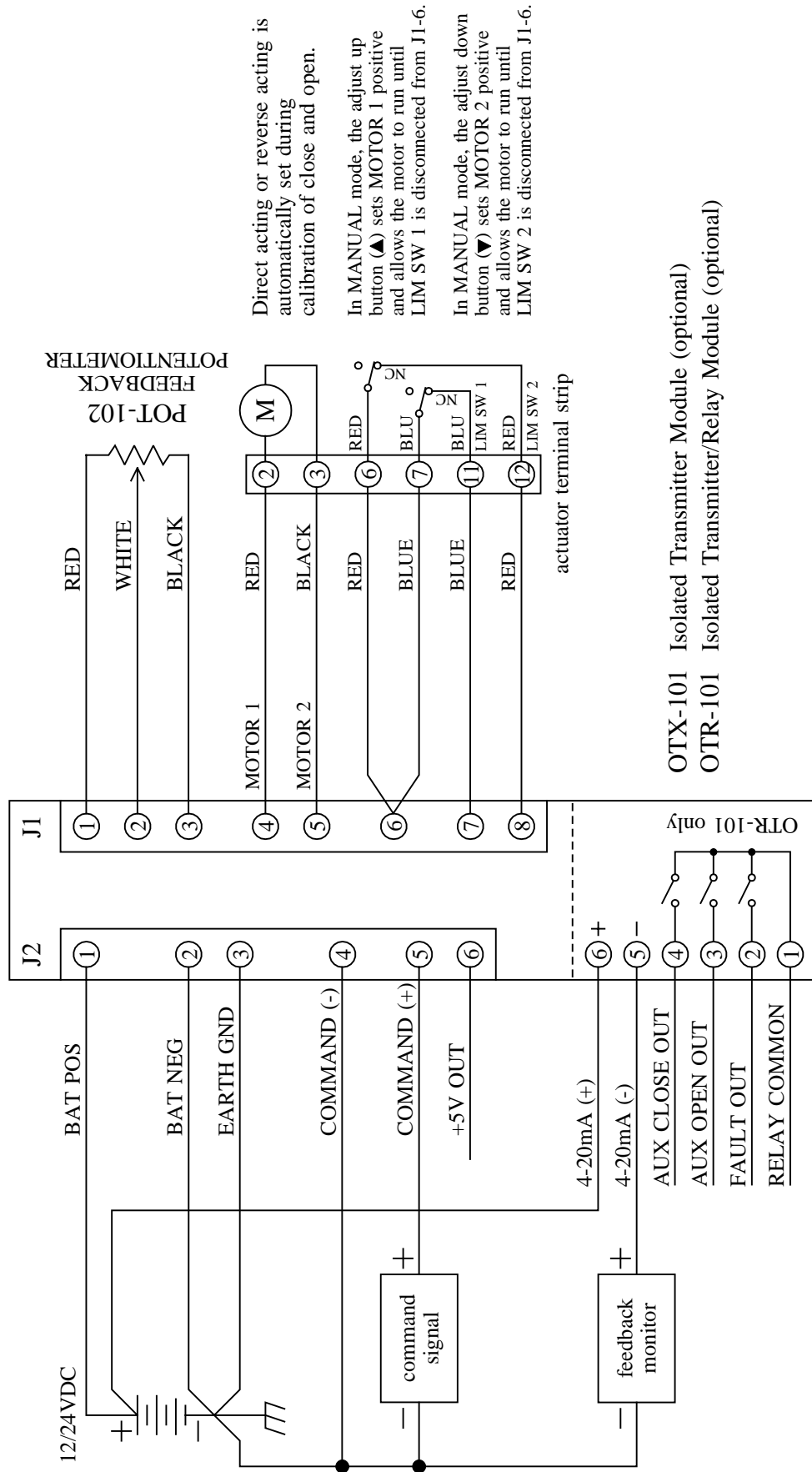


DC DIGITAL POSITIONER

WIRING DIAGRAM

HKC HQ-015, -020, -030 Actuators

DHC-400



OTX-101 Isolated Transmitter Module (optional)
 OTR-101 Isolated Transmitter/Relay Module (optional)

Direct acting or reverse acting is automatically set during calibration of close and open.

In MANUAL mode, the adjust up button (▲) sets MOTOR 1 positive and allows the motor to run until LIM SW 1 is disconnected from J1-6.

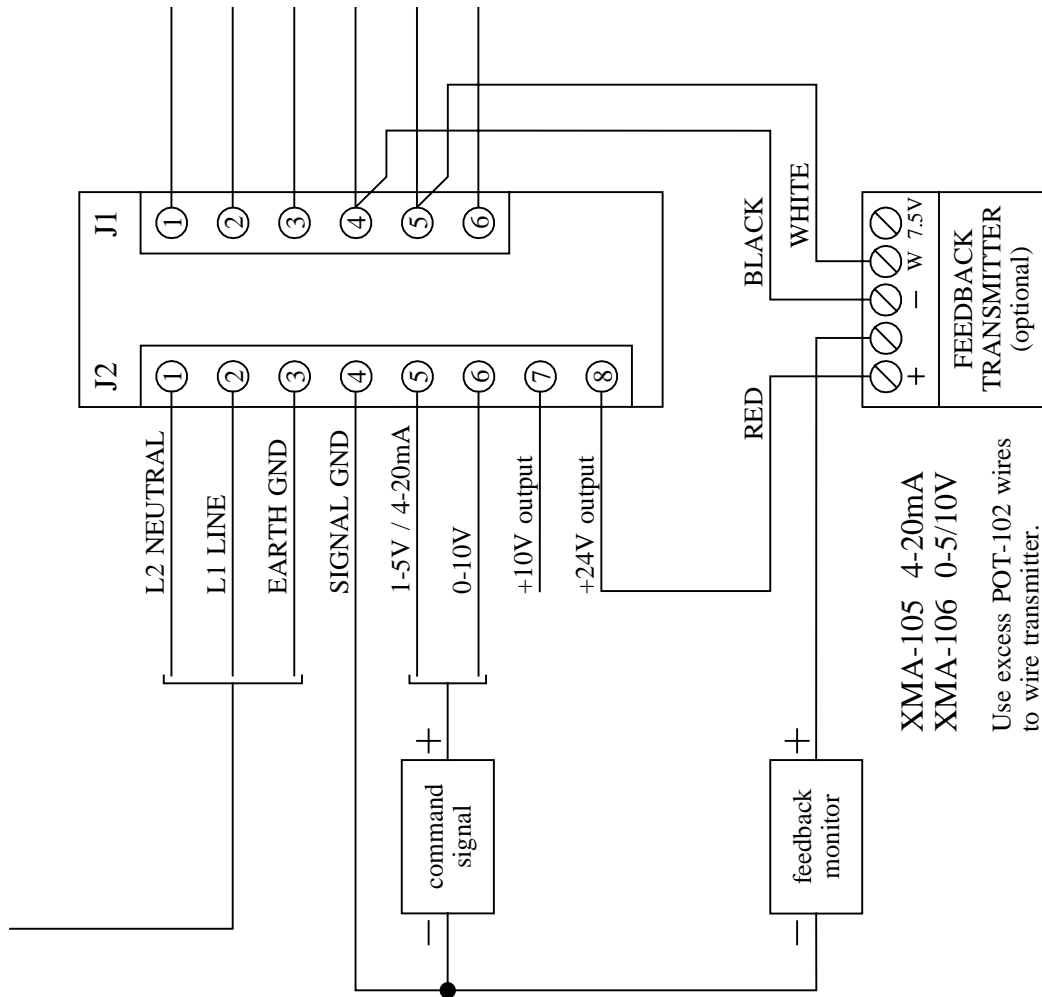
In MANUAL mode, the adjust down button (▼) sets MOTOR 2 positive and allows the motor to run until LIM SW 2 is disconnected from J1-6.

AC ANALOG / LOG RATE POSITIONERS (standard)

WIRING DIAGRAM

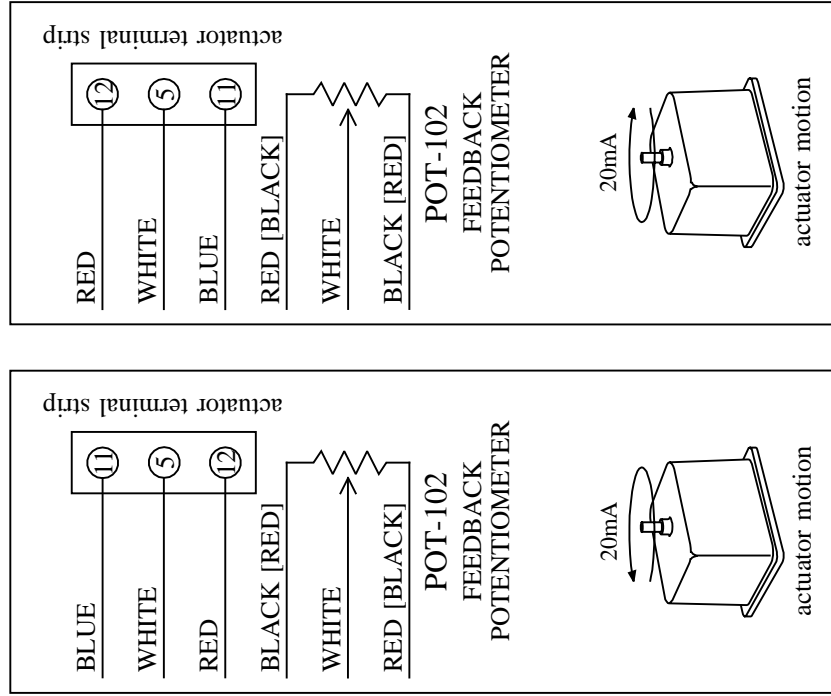
HKC HQ-015, -020, -030, -050, -060, -080, -120, -200, -300 Actuators

117VAC AMC-101A / [LRC-101A] / LRC-101G
 234VAC AMC-101C / [LRC-101B] / LRC-101H



XMA-105 4-20mA
 XMA-106 0-5/10V

Use excess POT-102 wires to wire transmitter.



DIRECT ACTING

REVERSE ACTING

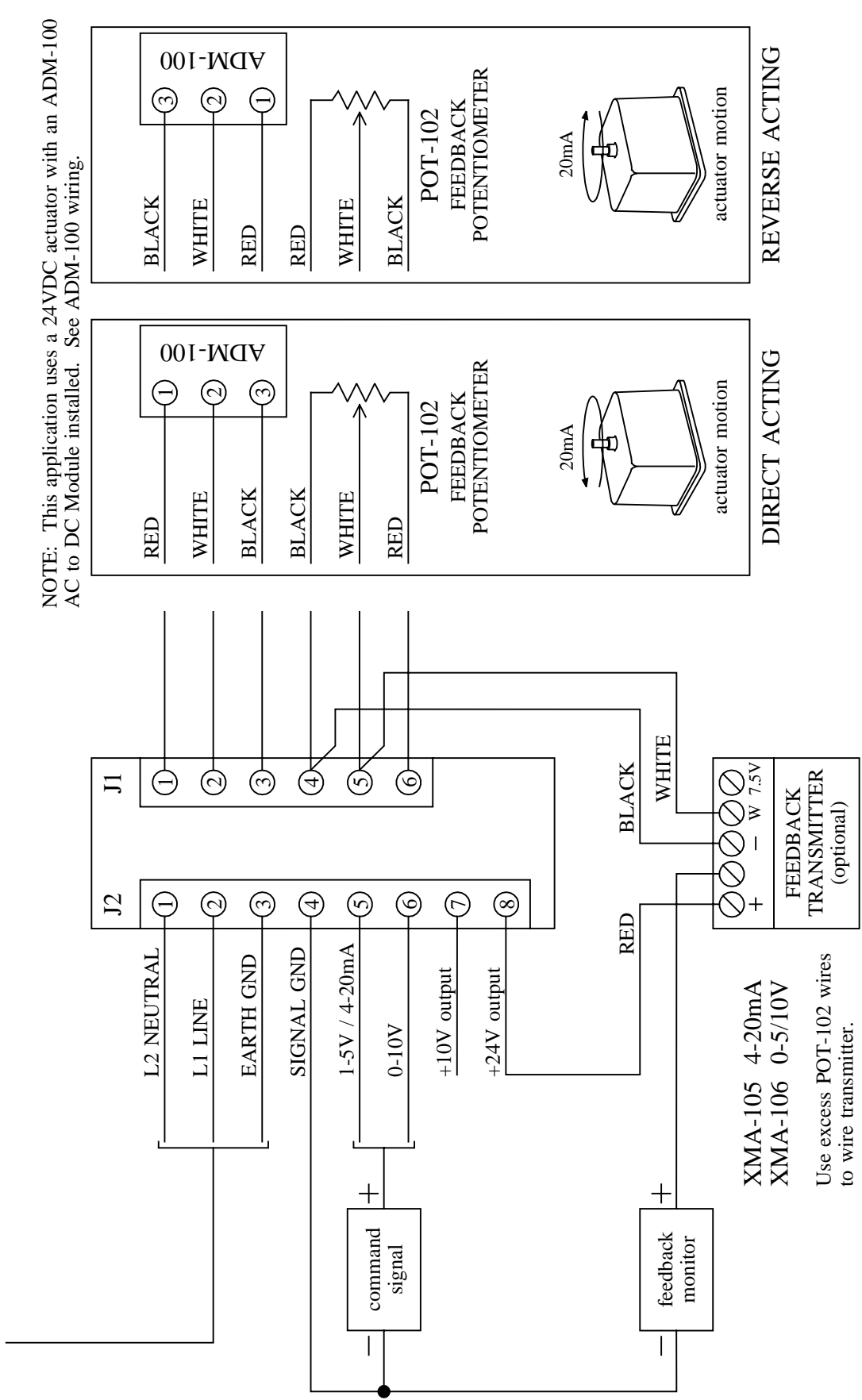
NOTE: Items shown in brackets [] pertain to HQ-200 and HQ-300 actuators only.

24VAC ANALOG / LOG RATE POSITIONERS (standard)

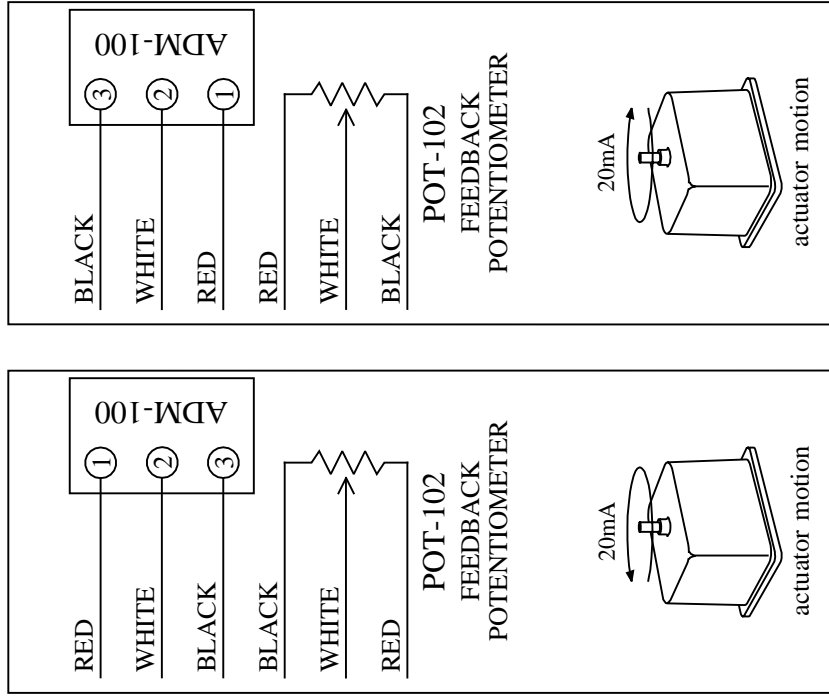
WIRING DIAGRAM

HKC HQ-015, -020, -030 Actuators

24VAC AMC-101E / LRC-101C / LRC-101I



NOTE: This application uses a 24VDC actuator with an ADM-100 AC to DC Module installed. See ADM-100 wiring.



XMA-105 4-20mA
XMA-106 0-5/10V

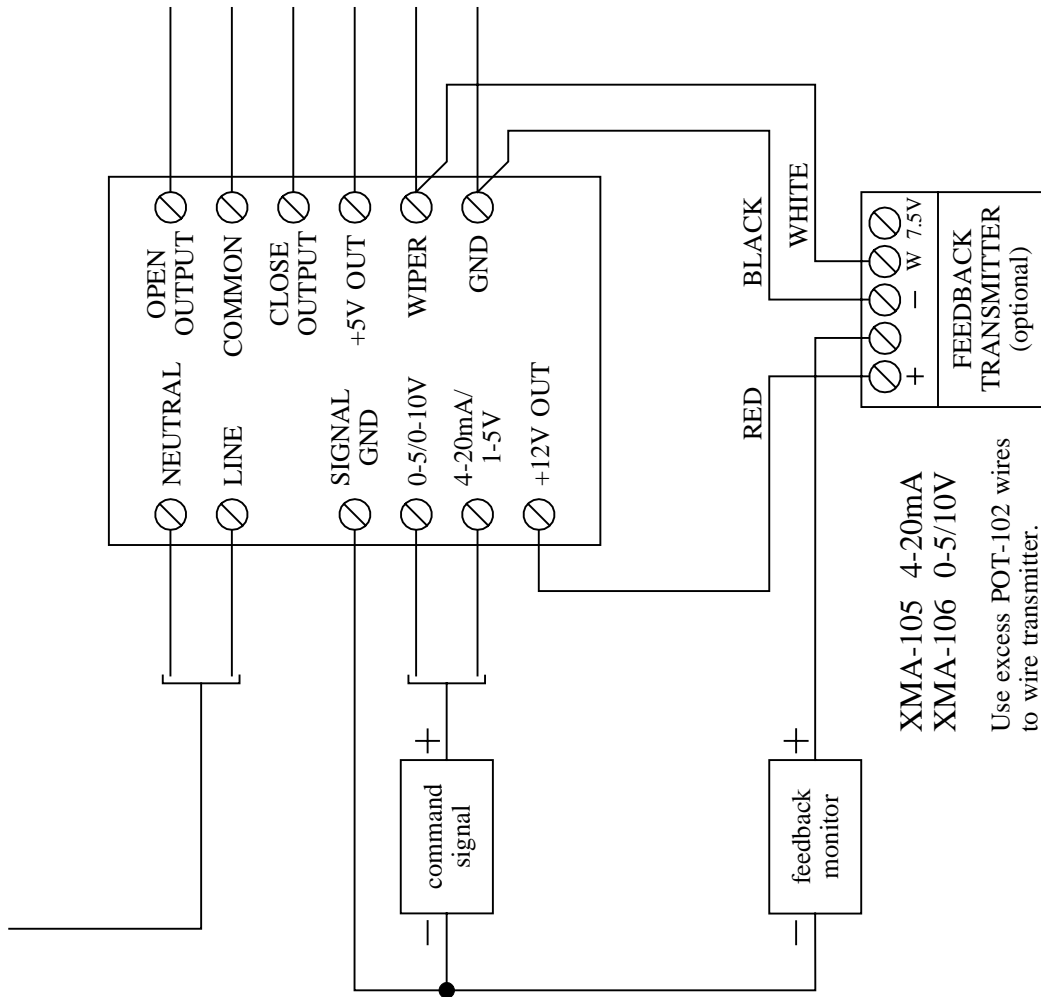
Use excess POT-102 wires to wire transmitter.

AC ANALOG POSITIONERS (miniature)

WIRING DIAGRAM

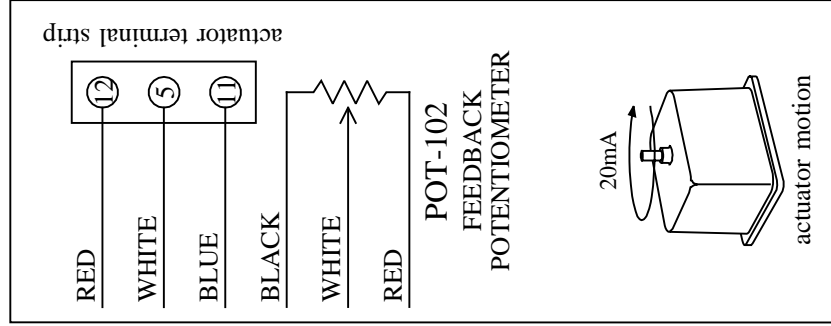
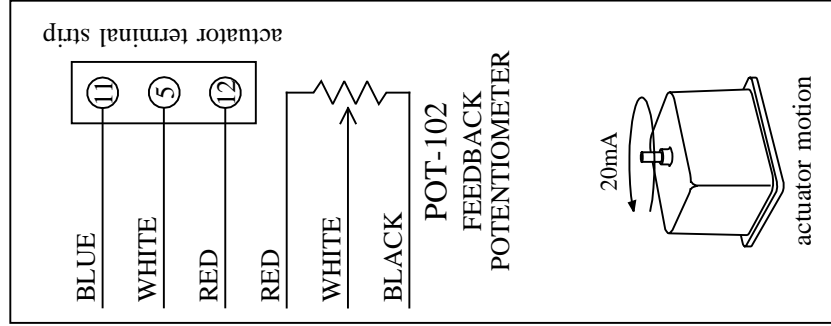
HKC HQ-015, -020, -030 Actuators

117VAC AMC-103
234VAC AMC-103A



XMA-105 4-20mA
XMA-106 0-5/10V

Use excess POT-102 wires to wire transmitter.

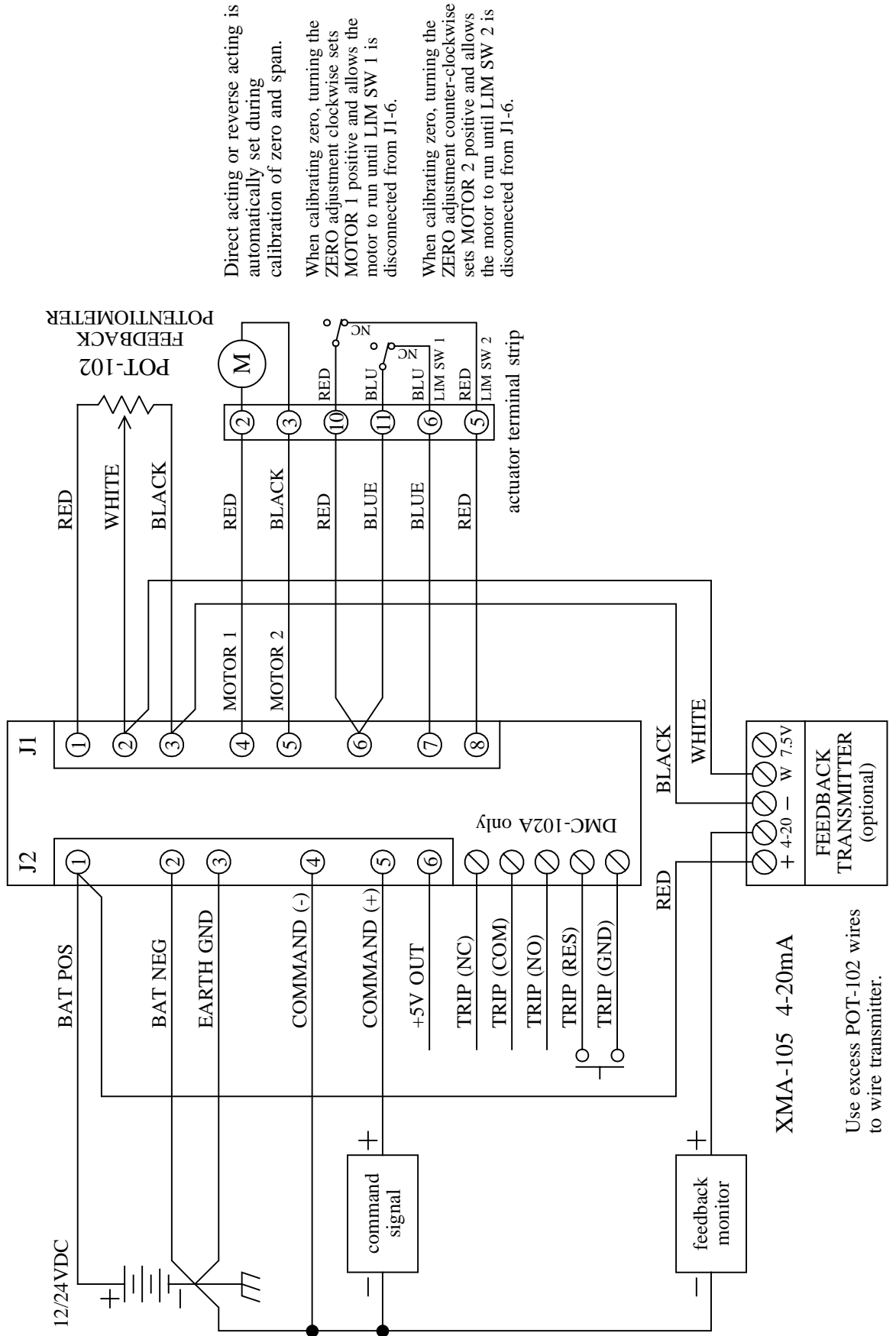


DC ANALOG POSITIONERS

WIRING DIAGRAM

HKC HQ-015, -020, -030 Actuators

DMC-102 / DMC-102A



Direct acting or reverse acting is automatically set during calibration of zero and span.

When calibrating zero, turning the ZERO adjustment clockwise sets MOTOR 1 positive and allows the motor to run until LIM SW 1 is disconnected from J1-6.

When calibrating zero, turning the ZERO adjustment counter-clockwise sets MOTOR 2 positive and allows the motor to run until LIM SW 2 is disconnected from J1-6.

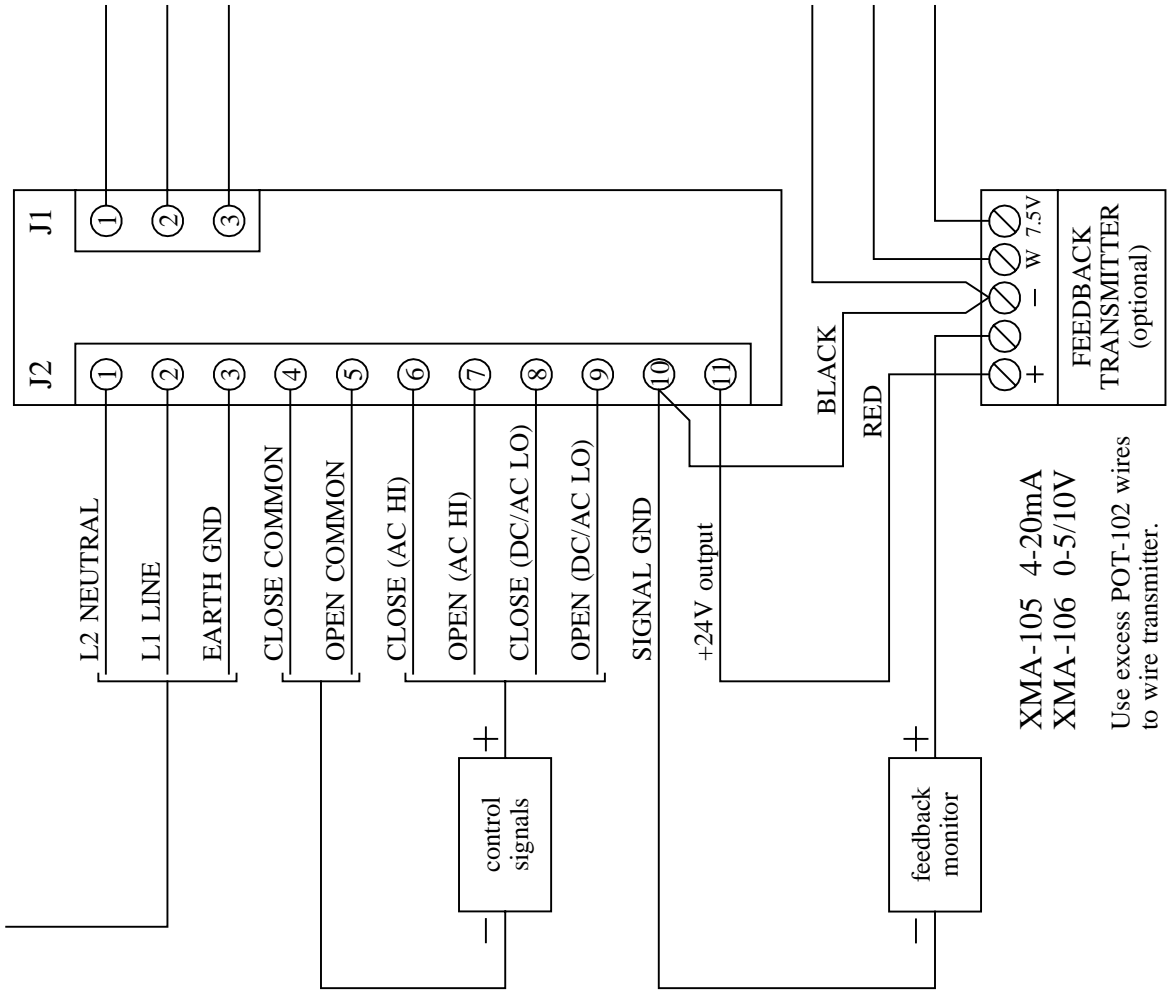
XMA-105 4-20mA
 Use excess POT-102 wires to wire transmitter.

AC ON/OFF CONTROLLERS

WIRING DIAGRAM

HKC HQ-015, -020, -030, -050, -060, -080, -120, -200, -300 Actuators

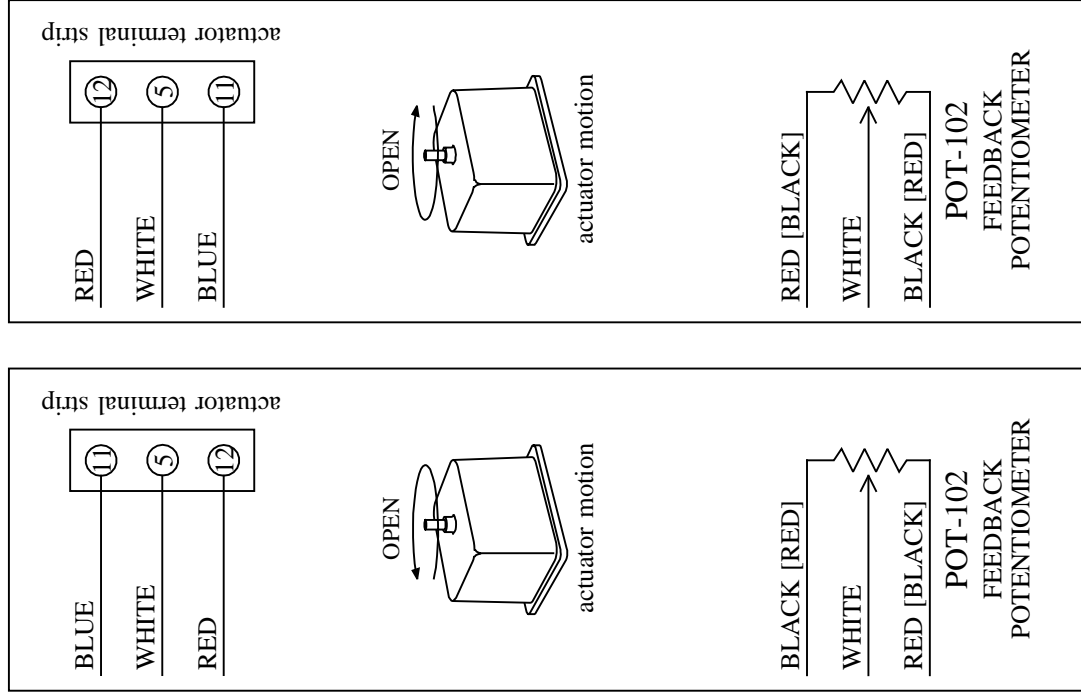
117VAC AMI-103
234VAC AMI-103A



XMA-105 4-20mA
XMA-106 0-5/10V

Use excess POT-102 wires to wire transmitter.

NOTE: Items shown in brackets [] pertain to HQ-200 and HQ-300 actuators only.



DIRECT ACTING

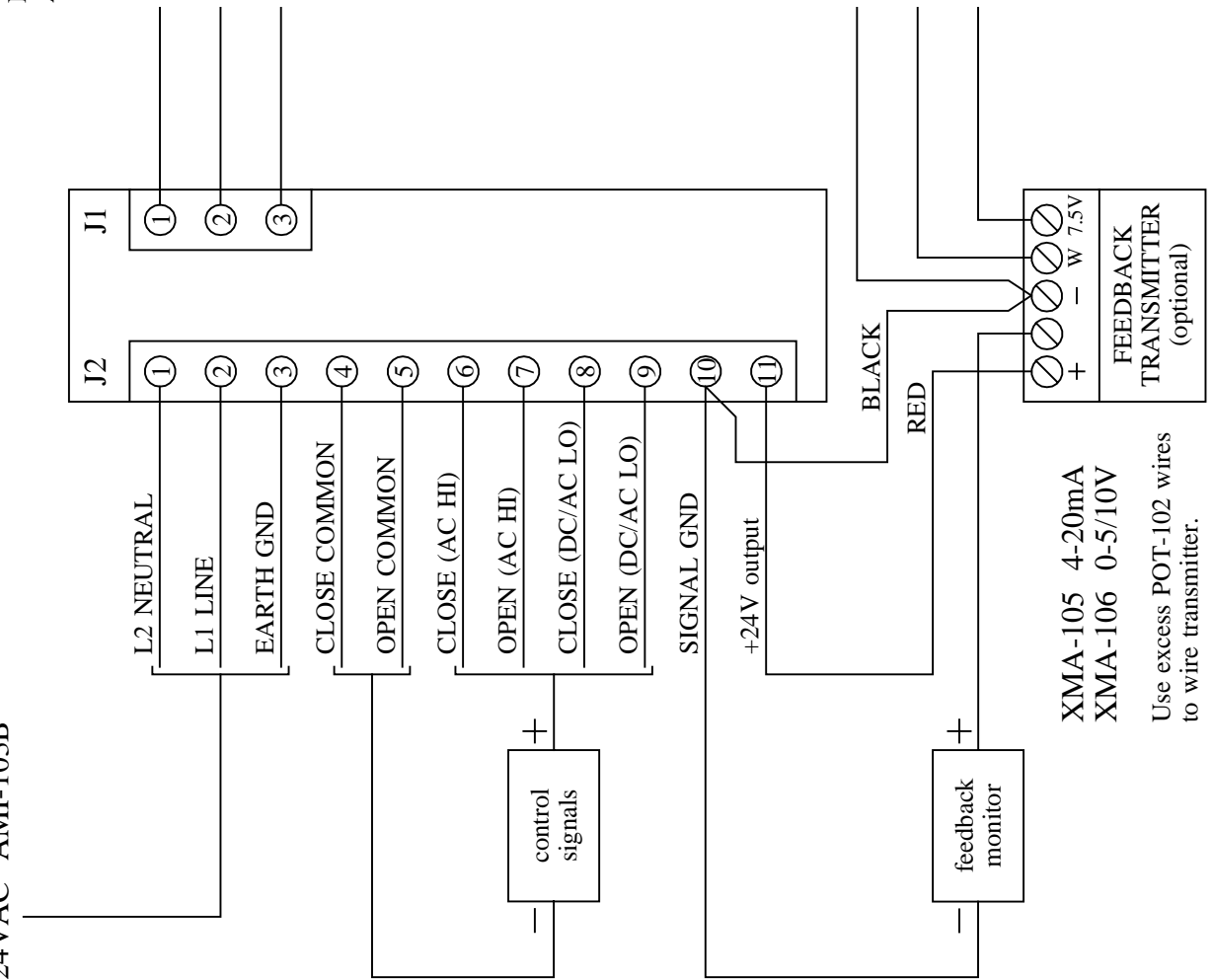
REVERSE ACTING

24VAC ON/OFF CONTROLLERS

WIRING DIAGRAM

HKC HQ-015, -020, -030 Actuators

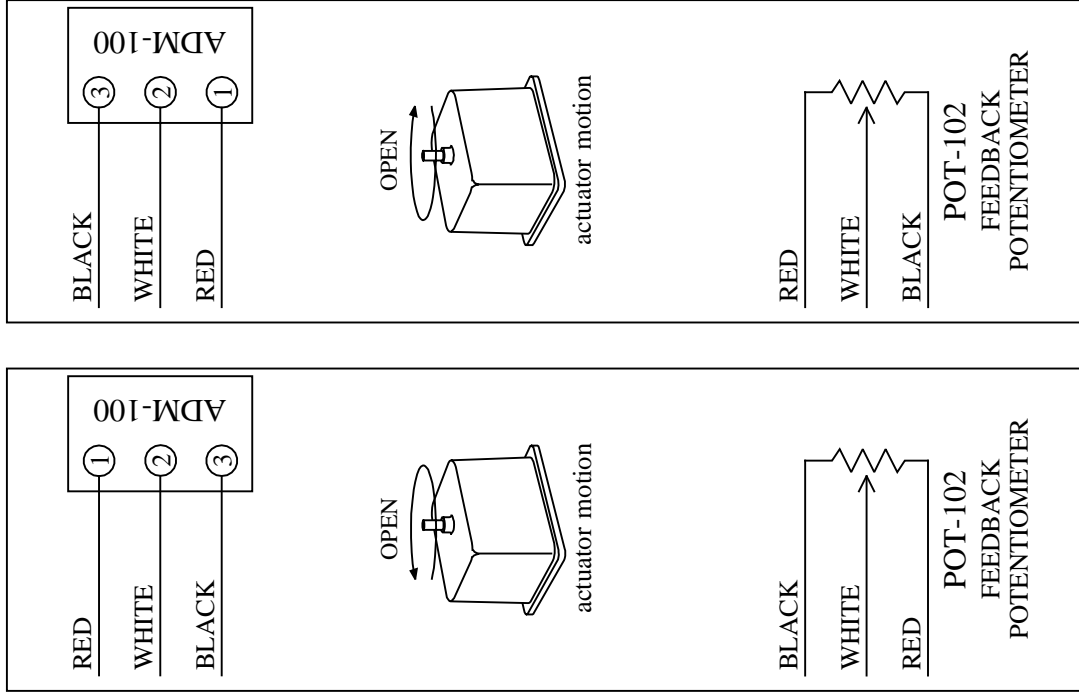
24VAC AMI-103B



XMA-105 4-20mA
XMA-106 0-5/10V

Use excess POT-102 wires to wire transmitter.

NOTE: This application uses a 24VDC actuator with an ADM-100 AC to DC Module installed. See ADM-100 wiring.



DIRECT ACTING

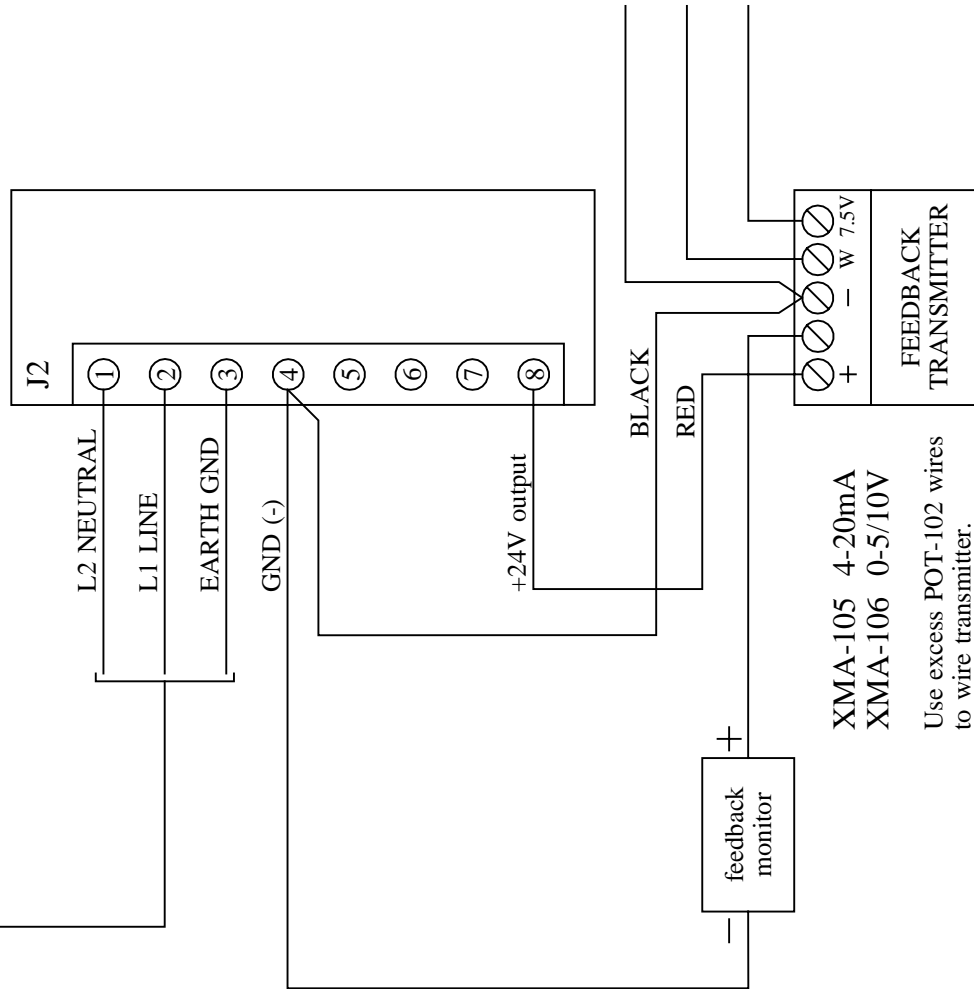
REVERSE ACTING

FEEDBACK TRANSMITTERS (powered)

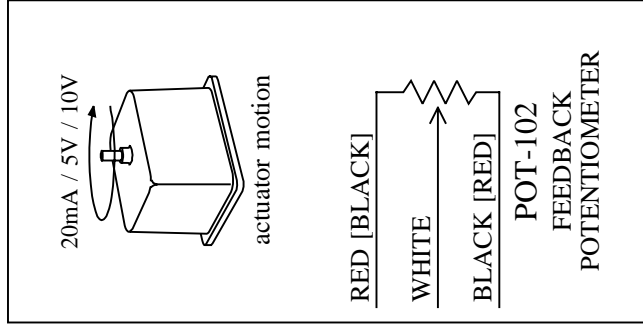
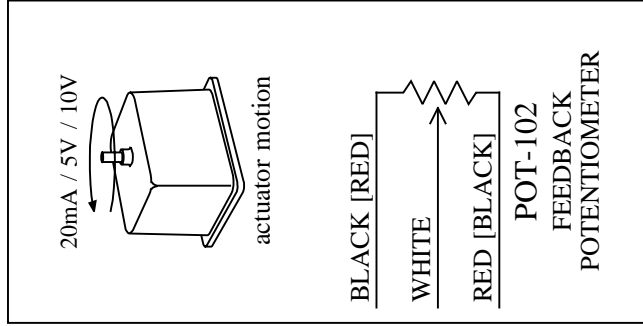
WIRING DIAGRAM

HKC HQ-015, -020, -030, -050, -060, -080, -120, -200, -300 Actuators

117VAC PWR-102
234VAC PWR-102A



NOTE: Items shown in brackets [] pertain to HQ-200 and HQ-300 actuators only.



XMA-105 4-20mA
XMA-106 0-5/10V

Use excess POT-102 wires to wire transmitter.

FEEDBACK TRANSMITTER (loop powered)

WIRING DIAGRAM

HKC HQ-015, -020, -030, -050, -060, -080, -120, -200, -300 Actuators

NOTE: Items shown in brackets [] pertain to HQ-200 and HQ-300 actuators only.

