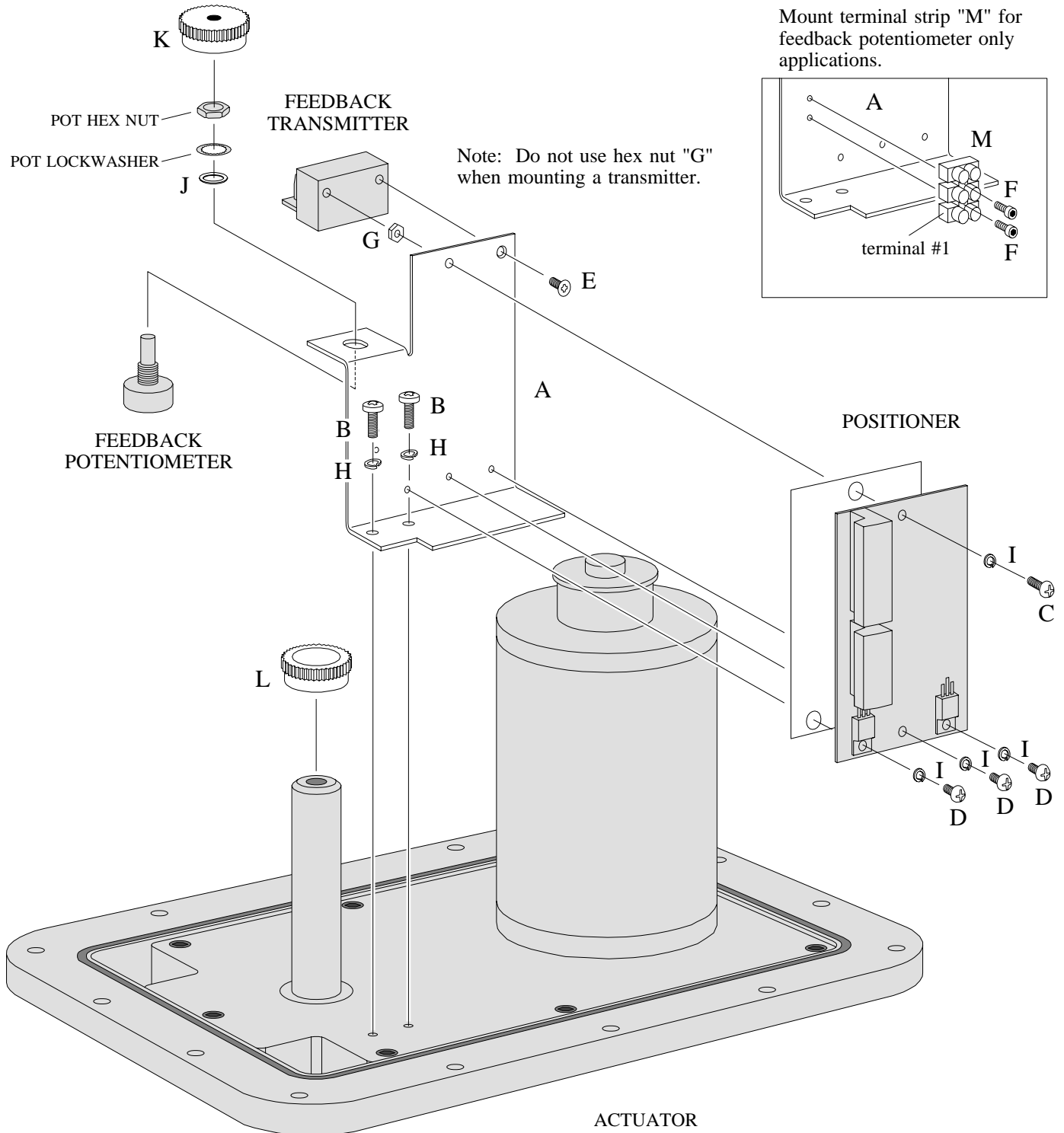
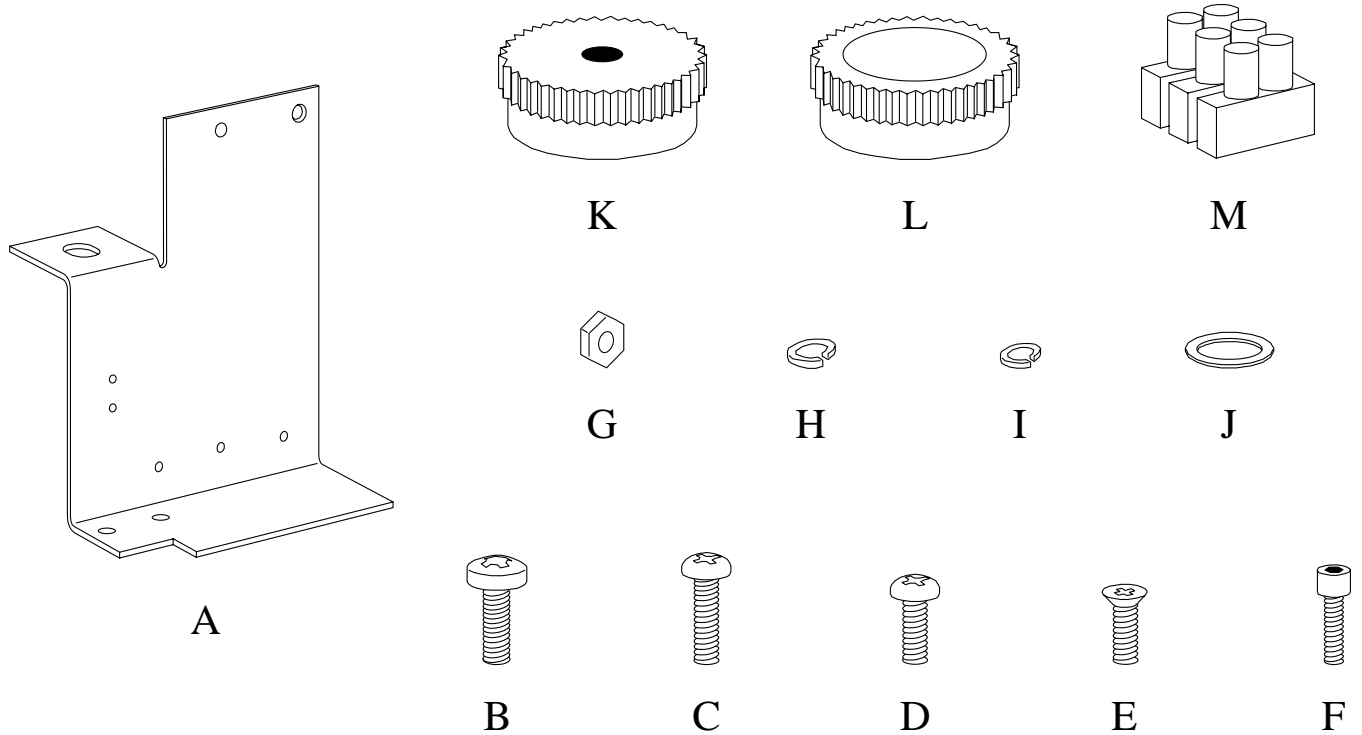


ASSEMBLY DIAGRAM

Bettis EM-810, -820, -830, -840 Actuators



KIT CONTENTS



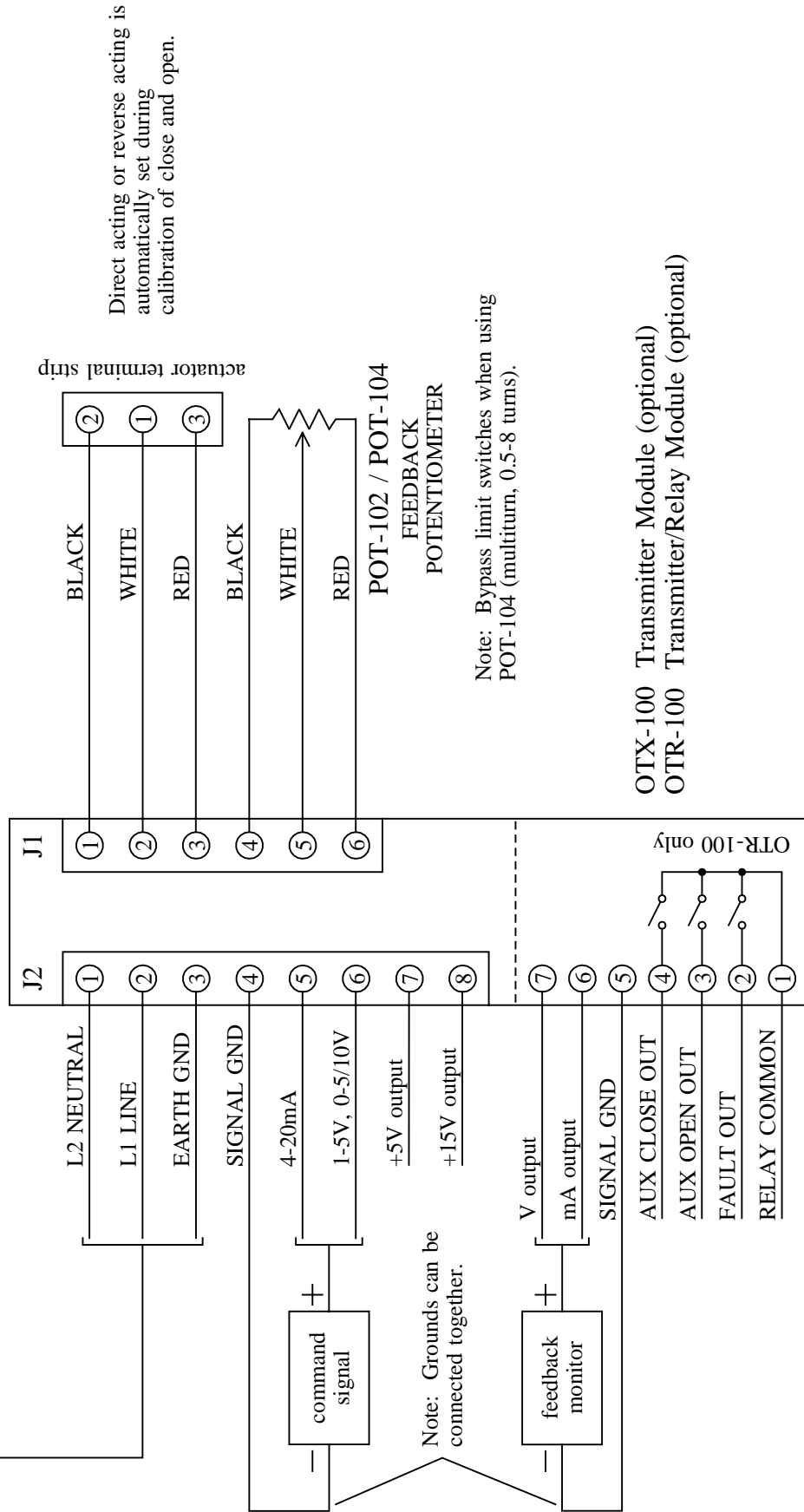
ITEM	QTY	DESCRIPTION
A	1	positioner bracket
B	2	#8-32 X 0.375" pan head screw
C	1	#6-32 X 0.5" pan head screw
D	3	#6-32 X 0.375" pan head screw
E	1	#6-32 X 0.375" undercut flat head screw
F	2	#4-40 X 0.375" socket head cap screw
G	1	#6-32 hex nut
H	2	#8 split ring lockwasher
I	4	#6 split ring lockwasher
J	1	potentiometer anti-slip washer
K	1	potentiometer gear
L	1	output shaft gear
M	1	3 pin Eurostrip screw terminal
not shown	1	4" grey wire w/butt connector
not shown	1	14" white wire
not shown	1	14" black wire
not shown	1	14" red wire
not shown	1	10" black wire w/spade terminal
not shown	1	10" red wire w/spade terminal
not shown	3	6.3" nylon tie wrap

AC DIGITAL POSITIONERS

WIRING DIAGRAM

Bettis EM-810, -820, -830, -840 Actuators

117VAC DHC-100
234VAC DHC-100A

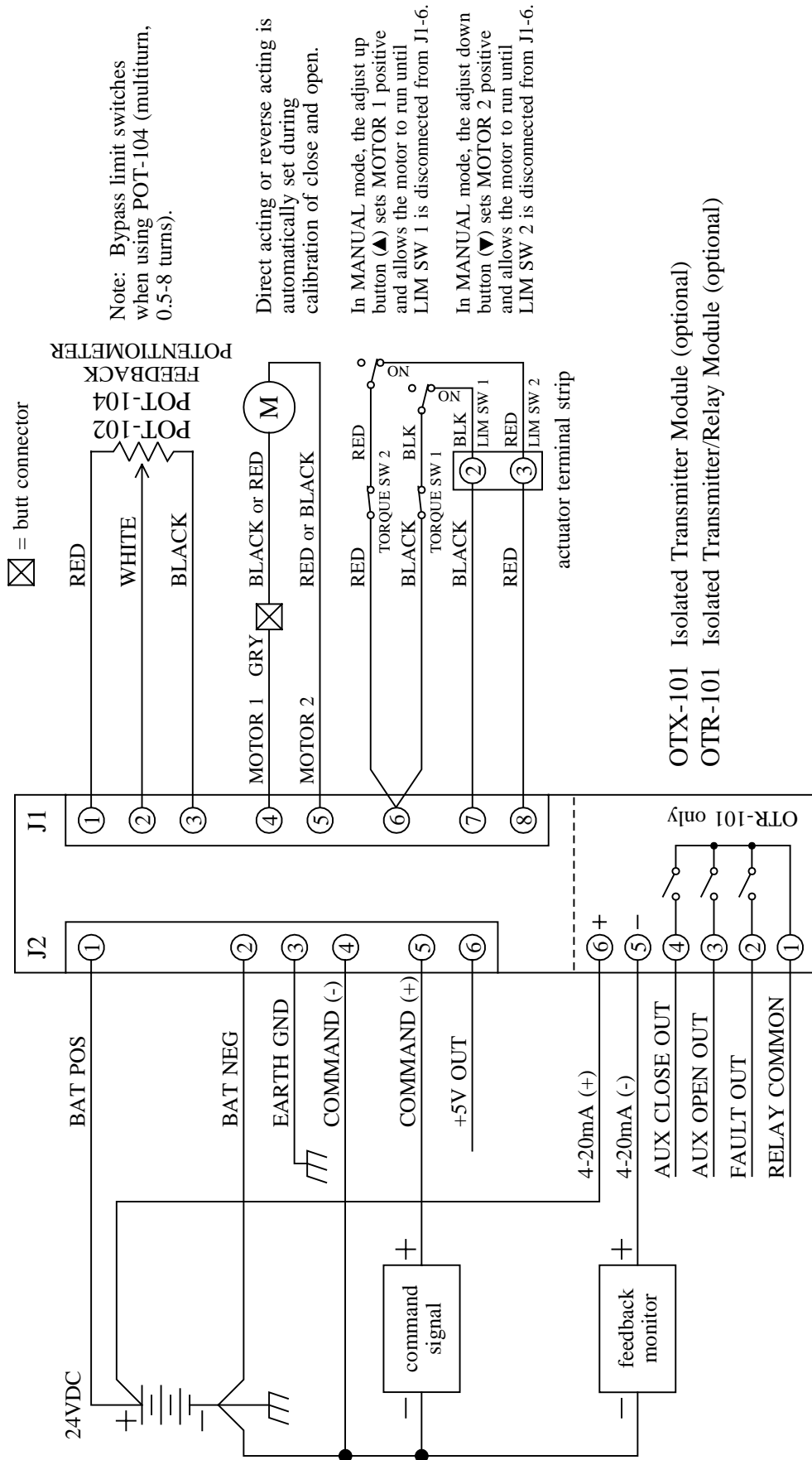


DC DIGITAL POSITIONER

WIRING DIAGRAM

Bettis EM-810, -820, -830, -840 Actuators

DHC-400

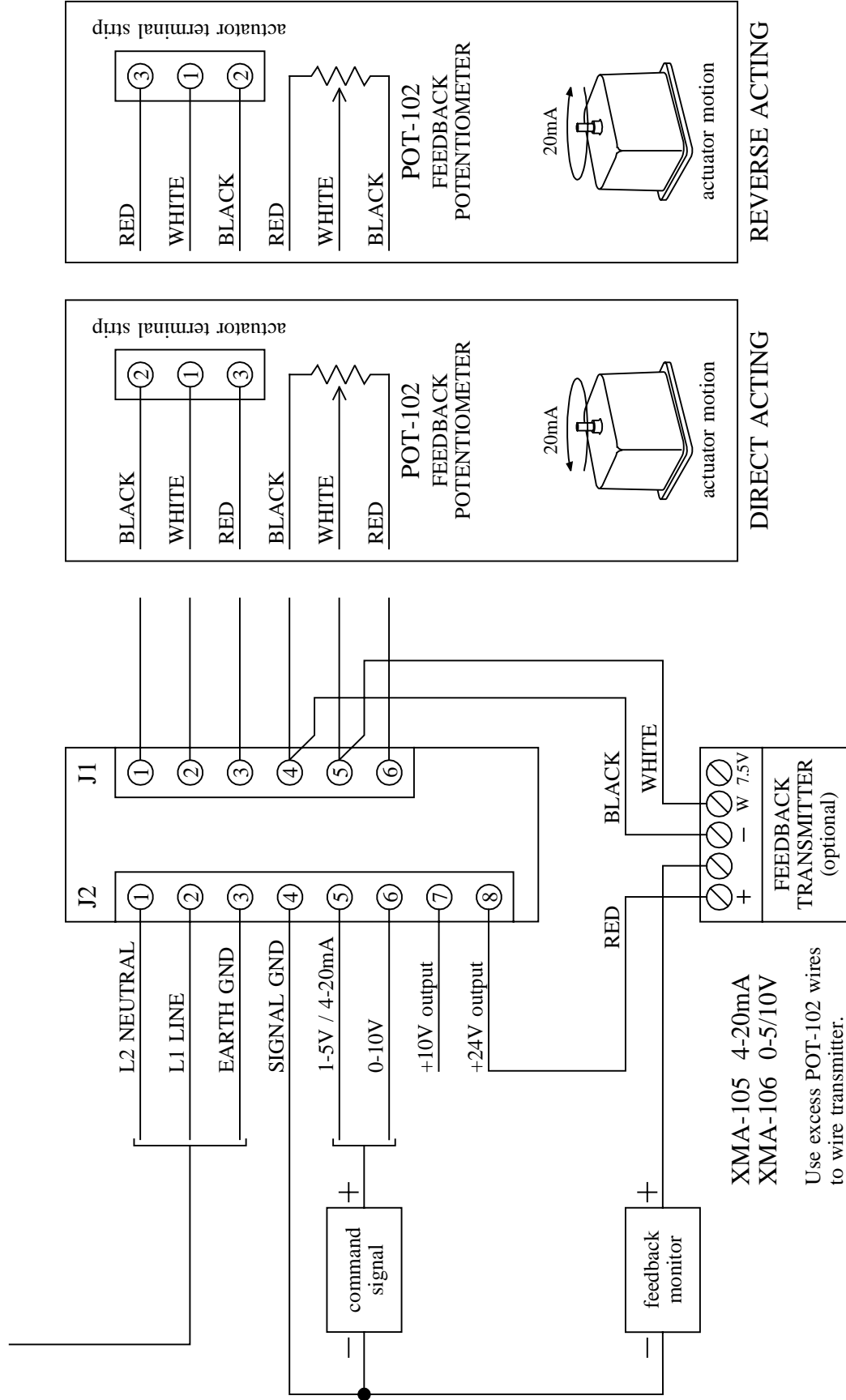


AC ANALOG / LOG RATE POSITIONERS

WIRING DIAGRAM

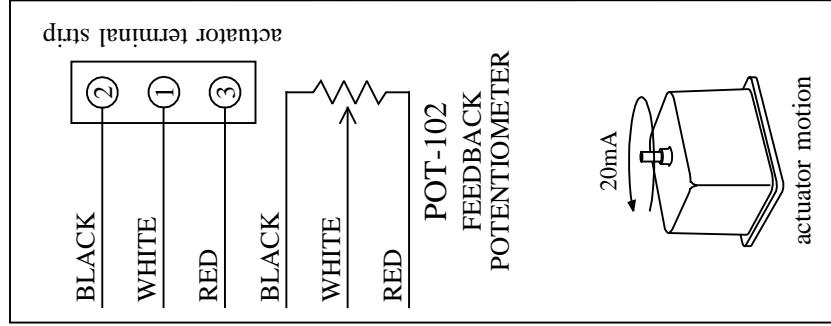
Bettis EM-810, -820, -830, -840 Actuators

117VAC AMC-101A / LRC-101A / LRC-101G
 234VAC AMC-101C / LRC-101B / LRC-101H

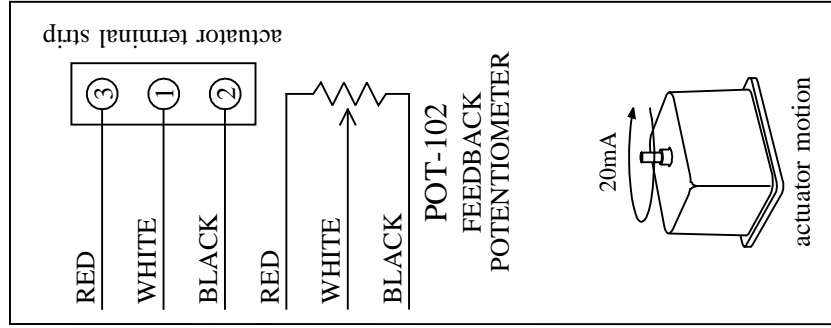


XMA-105 4-20mA
 XMA-106 0-5/10V

Use excess POT-102 wires to wire transmitter.



DIRECT ACTING



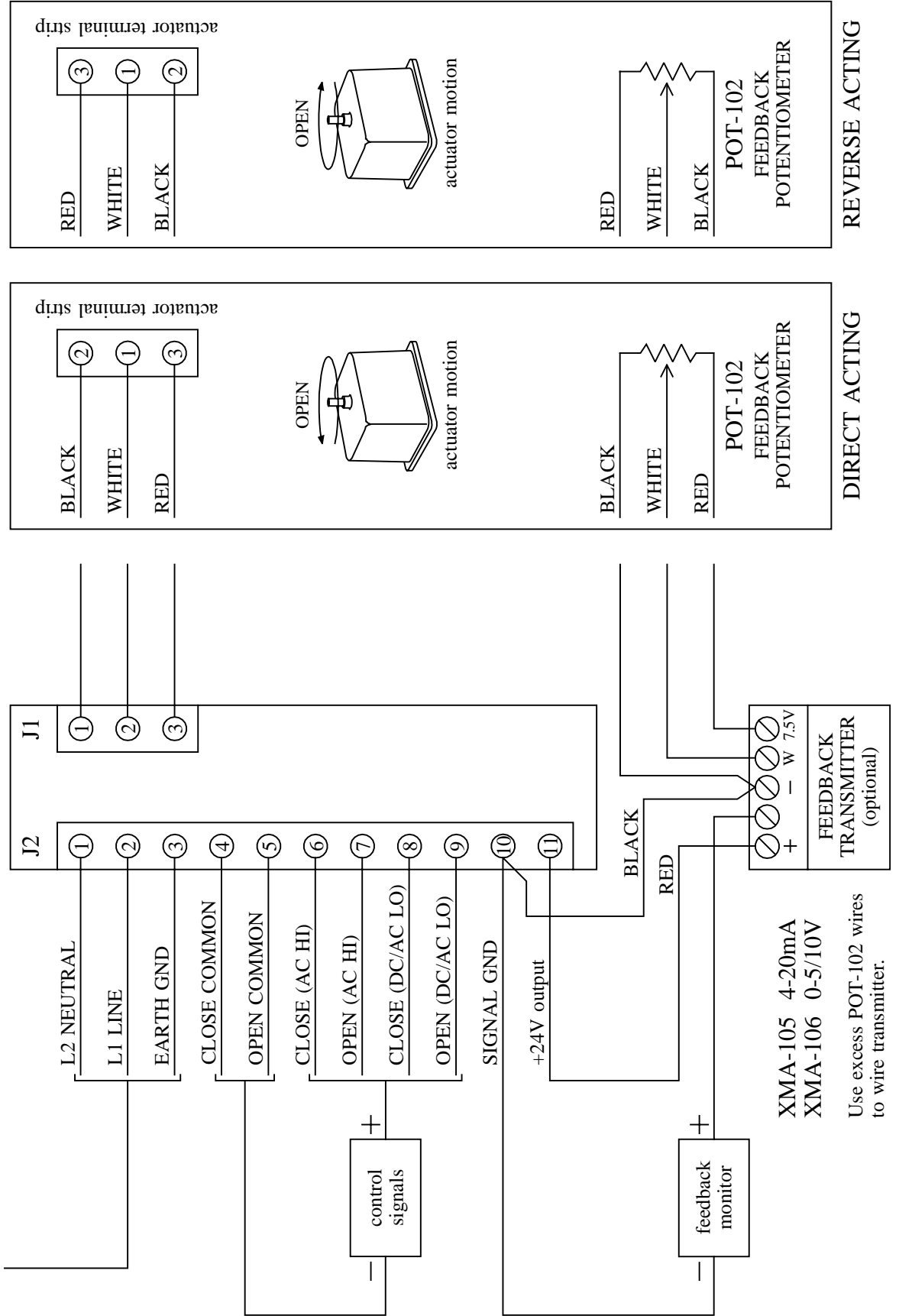
REVERSE ACTING

AC ON/OFF CONTROLLERS

WIRING DIAGRAM

Bettis EM-810, -820, -830, -840 Actuators

117VAC AMI-103
234VAC AMI-103A

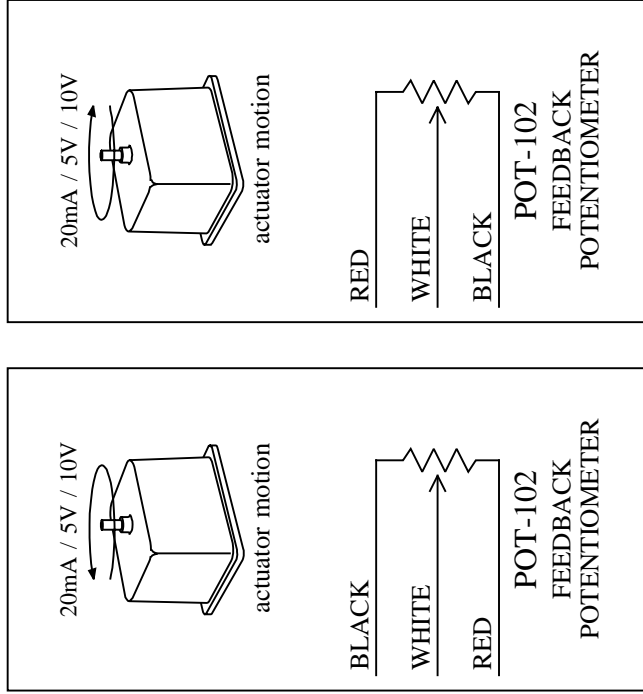
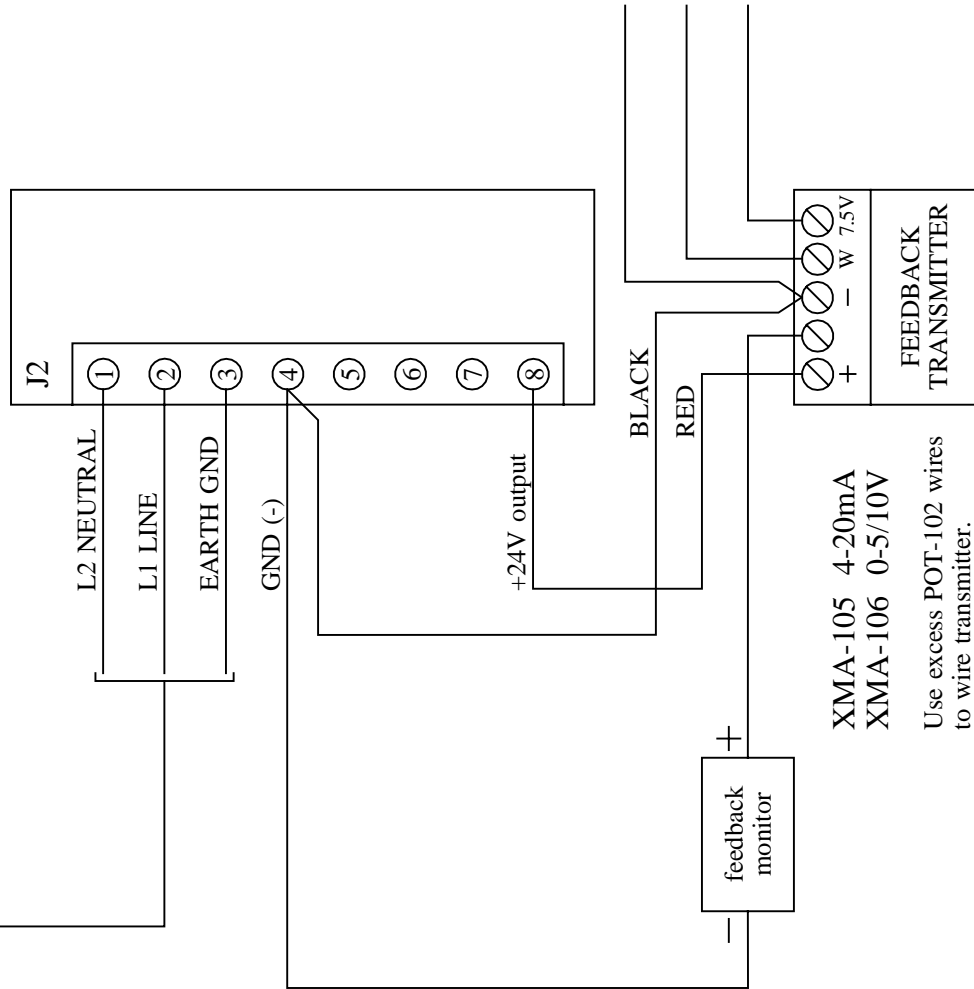


FEEDBACK TRANSMITTERS (powered)

WIRING DIAGRAM

Bettis EM-810, -820, -830, -840 Actuators

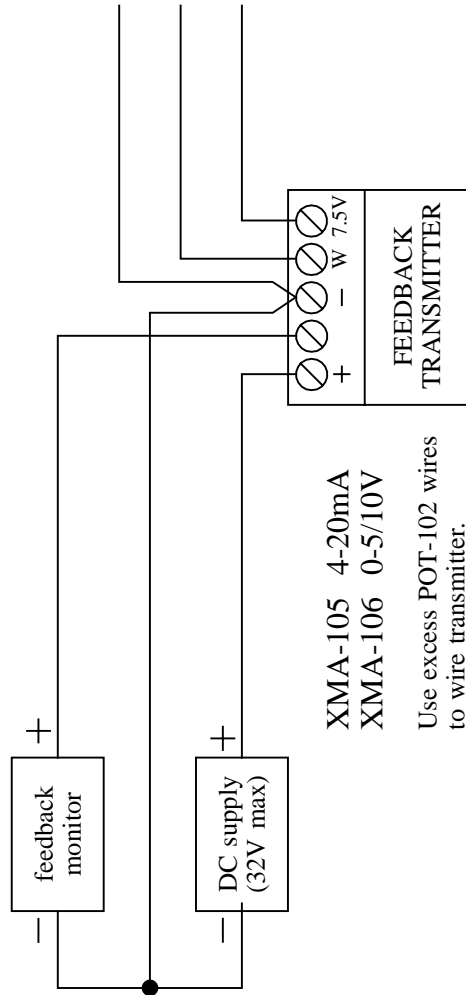
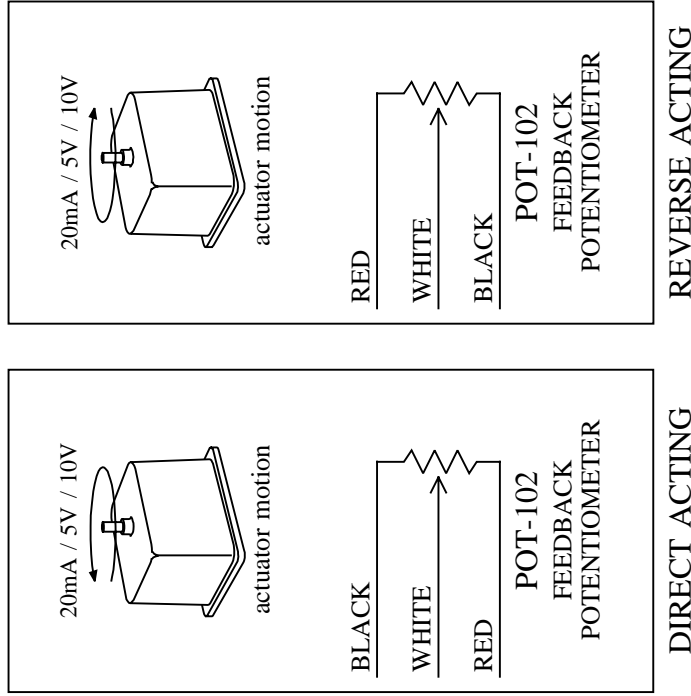
117VAC PWR-102
234VAC PWR-102A



FEEDBACK TRANSMITTERS (externally powered)

WIRING DIAGRAM

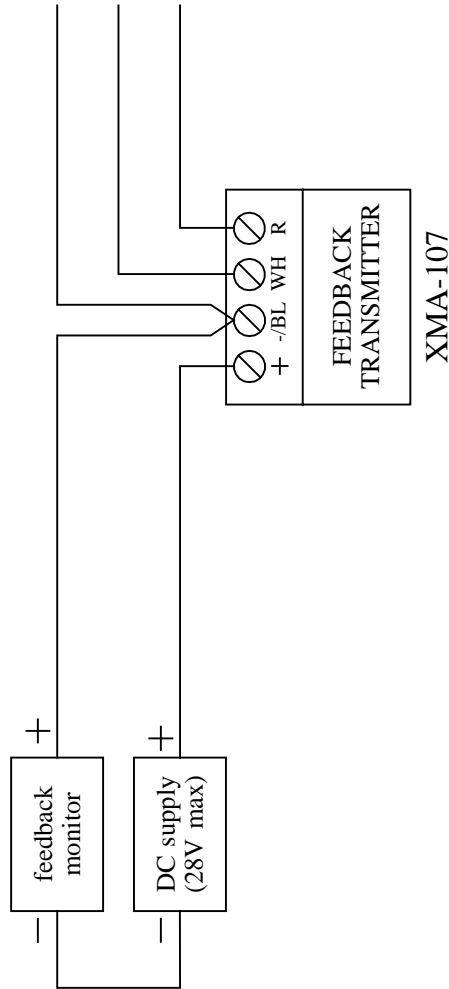
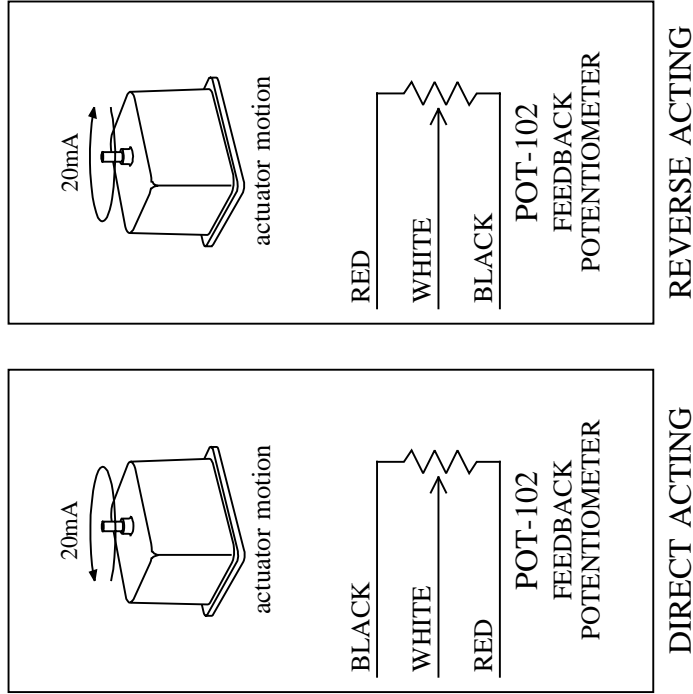
Bettis EM-810, -820, -830, -840 Actuators



FEEDBACK TRANSMITTER (loop powered)

WIRING DIAGRAM

Bettis EM-810, -820, -830, -840 Actuators



FEEDBACK POTENTIOMETERS

WIRING DIAGRAM

- 1K ohms POT-102
- 2K ohms POT-112
- 5K ohms POT-111

Bettis EM-810, -820, -830, -840 Actuators

