

▲ PEAKTRONICS

Electric Actuator Mounting Kits

Mounting Kits provide all the necessary hardware to mount Peaktronics actuator controls in a variety of commercially available actuators. Enhance any AC or DC actuator with high performance positioners, on/off controllers, timer functions, feedback signals, or Modbus. Add an ADM-100 and convert a 24VDC actuator to an enhanced 24VAC actuator.

A - includes gears/couplings for installing feedback potentiometer

B - mounts standard size controller (AMC-100/101, AMI-103/104, DHC-100/300/400, DMC-100, LRC-101, RCM-101, or PWR-102 Series)

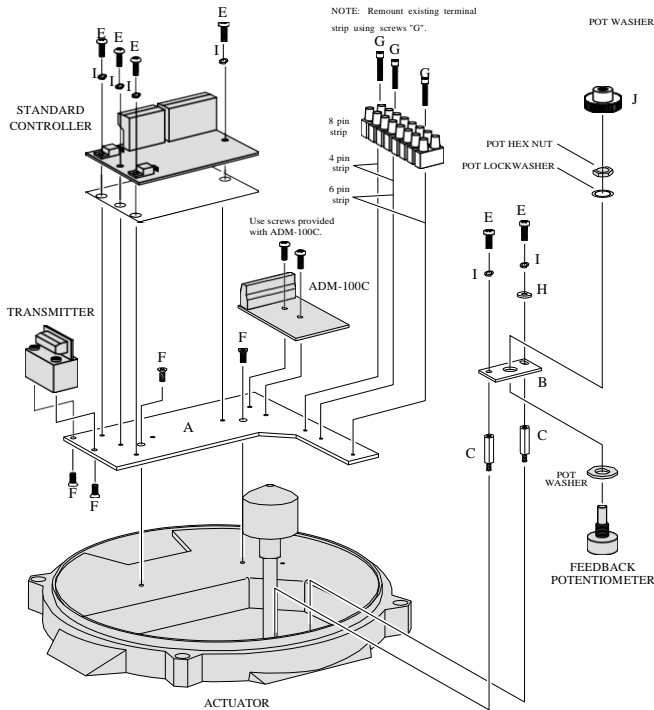
C - mounts miniature size controller (AMC-103, AST-100, DMC-101, or DST-100 Series)

D - mounts XMA Series transmitter

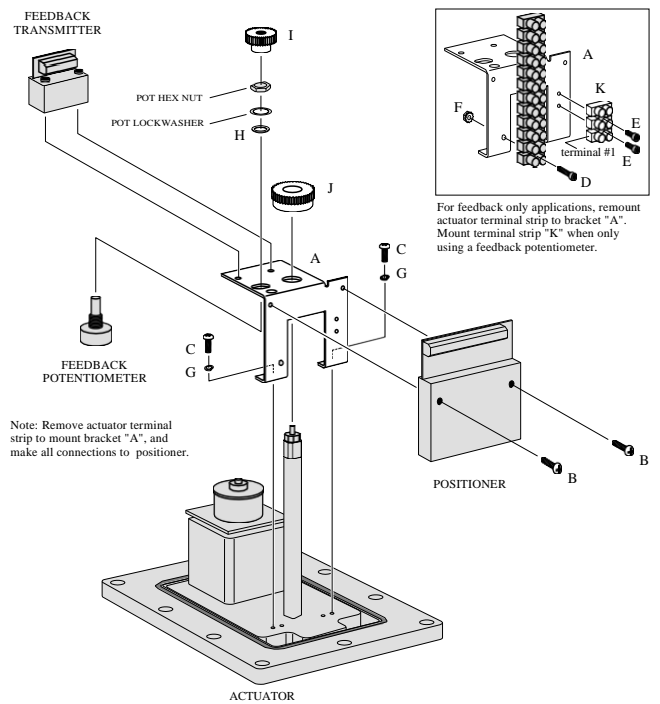
| Actuator Make | Actuator Model | A | B | C | D | Model | List |
|---------------|--|---|---|---|---|----------|---------|
| Asahi | Series 92 | X | X | X | X | MKT-118 | \$ Call |
| | Series 92 | | X | X | | MKT-118A | \$ Call |
| | Series 92 | X | | | | MKT-165 | \$ Call |
| | Series 92 (1:3 ratio) | X | X | | X | MKT-124 | \$ Call |
| | Series 94 | X | | X | X | MKT-117 | \$ Call |
| | Series 94 | X | X | | | MKT-147 | \$ Call |
| | Series 94 | X | | | | MKT-166 | \$ Call |
| Automax | CE1, 2, 4, & 7 AC or DC extended duty | X | X | X | X | MKT-111 | \$ Call |
| Bernard | OA Series | X | X | | X | MKT-152 | \$ Call |
| | AT25, 50 | X | X | | X | MKT-170 | \$ Call |
| Bettis | EM-212, 300 | X | | X | X | MKT-122 | \$ Call |
| | EM-400, 500 multiturn (4-15 turns) | X | X | | X | MKT-112 | \$ Call |
| | EM-400, 410, 420 (NEMA 4 & 7) | X | X | | X | MKT-115 | \$ Call |
| | EM-500, 510, 520 (NEMA 4 & 7) | X | X | | X | MKT-139 | \$ Call |
| | EM-500 Series multiturn (5, 20, & 30 turns) | X | X | | X | MKT-154 | \$ Call |
| | EM-810, 820, 830, 840 | X | X | | X | MKT-140 | \$ Call |
| | EM-800 Series multiturn (5, 20, & 30 turns) | X | X | | X | MKT-168 | \$ Call |
| Bray | EM-SR5-10, 15, 30, 90 115VAC | X | X | | X | MKT-146 | \$ Call |
| | S70-003, 005 | X | X | X | X | MKT-157 | \$ Call |
| | S70-008, 012, 020, 030, 050, 065, 708, 712, 720 | X | X | X | X | MKT-158 | \$ Call |
| Conbraco | S70-13, 18 | X | X | | X | MKT-184 | \$ Call |
| | Apollo AE 200, 400, 600, 800, 1000 | X | X | X | X | MKT-142 | \$ Call |
| El-O-Matic | Apollo AE 200, 400, 600, 800, 1000 | | X | X | | MKT-142A | \$ Call |
| | EL-100, 150, 200, 350, 500, 800 | X | X | | X | MKT-109 | \$ Call |
| HKC | HQ-006 | X | | | | MKT-145 | \$ Call |
| | HQ-008, 010 | X | | X | X | MKT-141 | \$ Call |
| | HQ-008, 010 | | | X | | MKT-141A | \$ Call |
| | HQ-015, 020, 030, 050, 060, 080, 120, 200, 300 | X | X | X | X | MKT-137 | \$ Call |
| | HQ-015, 020, 030, 050, 060, 080, 120, 200, 300 | | X | X | | MKT-137A | \$ Call |
| | HQ-015, 020, 030, 050, 060, 080, 120 (Extra High Resolution) | X | X | | | MKT-176 | \$ Call |
| | HQ-015, 020, 030, 050, 060, 080, 120, 200, 300 | X | | | X | MKT-175 | \$ Call |
| I-Tork | ITQ0040 | X | | | | MKT-150 | \$ Call |
| | ITQ0100 | X | | X | | MKT-149 | \$ Call |
| | ITQ0160 through ITQ3000 | X | X | X | X | MKT-155 | \$ Call |
| | ITQ0160 through ITQ3000 | | X | X | | MKT-155A | \$ Call |
| Koei | Unic 10 | X | | | | MKT-131 | \$ Call |
| | Unic 20, 40 | X | | | | MKT-132 | \$ Call |

Electric Actuator Mounting Kits - *continued*

| Actuator Make | Actuator Model | A | B | C | D | Model | List |
|---------------|---|---|---|---|---|----------|---------|
| Noah | NA06, 09 | X | X | | X | MKT-127 | \$ Call |
| | NA06, 09 | | X | | X | MKT-127A | \$ Call |
| | NA06, 09 | X | | X | X | MKT-121 | \$ Call |
| | NA06, 09 | | | X | | MKT-121A | \$ Call |
| | NA15, 19, 28, 38, 50, 60, 80, 100, 150, 200, 250 | X | X | X | X | MKT-119 | \$ Call |
| | NA15, 19, 28, 38, 50, 60, 80, 100, 150, 200, 250 | | X | X | | MKT-119A | \$ Call |
| | NA15, 19, 28, 38, 50, 60, 80, 100, 150, 200, 250 3-phase | X | X | | X | MKT-173 | \$ Call |
| | SA-05L | X | X | X | X | MKT-153 | \$ Call |
| | SA-05L 24VAC (uses 24VDC actuator with ADM-100C) | | | | | MTB-105 | \$ Call |
| RCS | Group 9 (NEMA 4 & 7), requires RCS gears | | X | | X | MKT-103 | \$ Call |
| | Group 9 (NEMA 4 & 7) | X | X | | X | MKT-107 | \$ Call |
| | Group 12/16 (NEMA 4 & 7) | | X | | X | MKT-104 | \$ Call |
| Rex | RF150, 300, 600 (high dome cover) | X | | X | X | MKT-162 | \$ Call |
| Sun Yeh | OM-2, 3 | X | X | X | X | MKT-167 | \$ Call |
| | OM-4, 5, 6 | X | X | X | X | MKT-181 | \$ Call |
| | OM-7, 8 | X | X | | X | MKT-190 | \$ Call |
| Tyco | EPI-Lite | X | | X | X | MKT-143 | \$ Call |
| | EPI-3 continuous duty (NEMA 4 & 7) | X | | X | X | MKT-110 | \$ Call |
| | EPI-6, 13, 36, 51, 91, 151 continuous duty (NEMA 4 & 7) | X | X | | X | MKT-106 | \$ Call |
| | EPI-6, 13, 36, 51 | X | | | | MKT-133 | \$ Call |
| | EPI-91, 151 | X | | | | MKT-134 | \$ Call |
| Valvcon | V Series 150-600 in-lbs | X | X | X | X | MKT-151 | \$ Call |
| | V Series 150-600 in-lbs | | X | X | | MKT-151A | \$ Call |
| Worcester | Series 75 (NEMA 4, 7, & 9), sizes 10, 12, 15, 20 and 22 | X | X | X | X | MKT-102 | \$ Call |
| | Series 75 (NEMA 4, 7, & 9), sizes 10, 12, 15, 20 and 22 | | X | X | X | MKT-129 | \$ Call |
| | Series 75 multiturn (NEMA 4, 7, & 9), sizes 10, 12, 15, 20 and 22 | X | X | | X | MKT-160 | \$ Call |

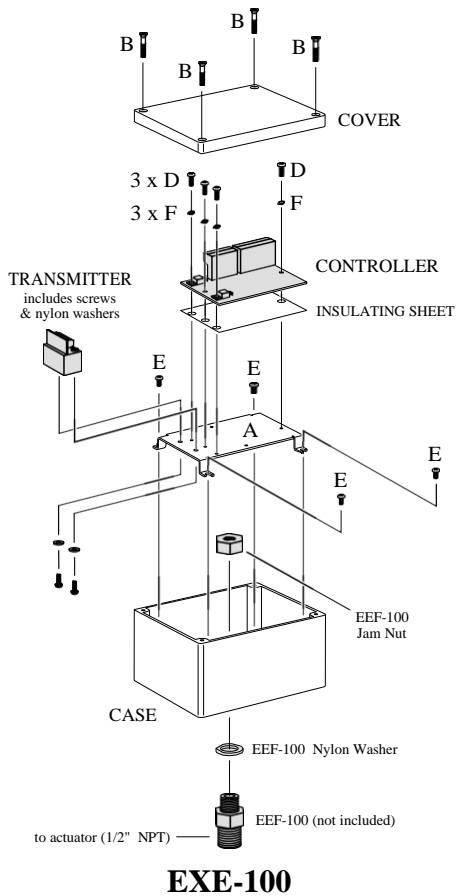


MKT-158



MKT-122

Electric Actuator Mounting Kits - *continued*



Mounting Kit Accessories

Mounting Kit Accessories provide hardware to mount Peaktronics actuator controls in external enclosures so that even the smallest of actuators can be equipped with advanced controls.

| Model | Description | List |
|---------|---|---------|
| EXE-100 | External Enclosure, NEMA 4 Mounts a controller (standard or miniature) and a transmitter. | \$ Call |
| SUB-100 | External Enclosure Subpanel Mounts a controller (standard or miniature) and a transmitter in a Bud AN-1350 NEMA 4 enclosure. | \$ Call |
| EEF-100 | External Enclosure Fitting Mounts external enclosure directly to a 1/2" NPT actuator port. | \$ Call |
| EEF-101 | External Enclosure Fitting Mounts external enclosure directly to a 3/4" NPT actuator port. | \$ Call |