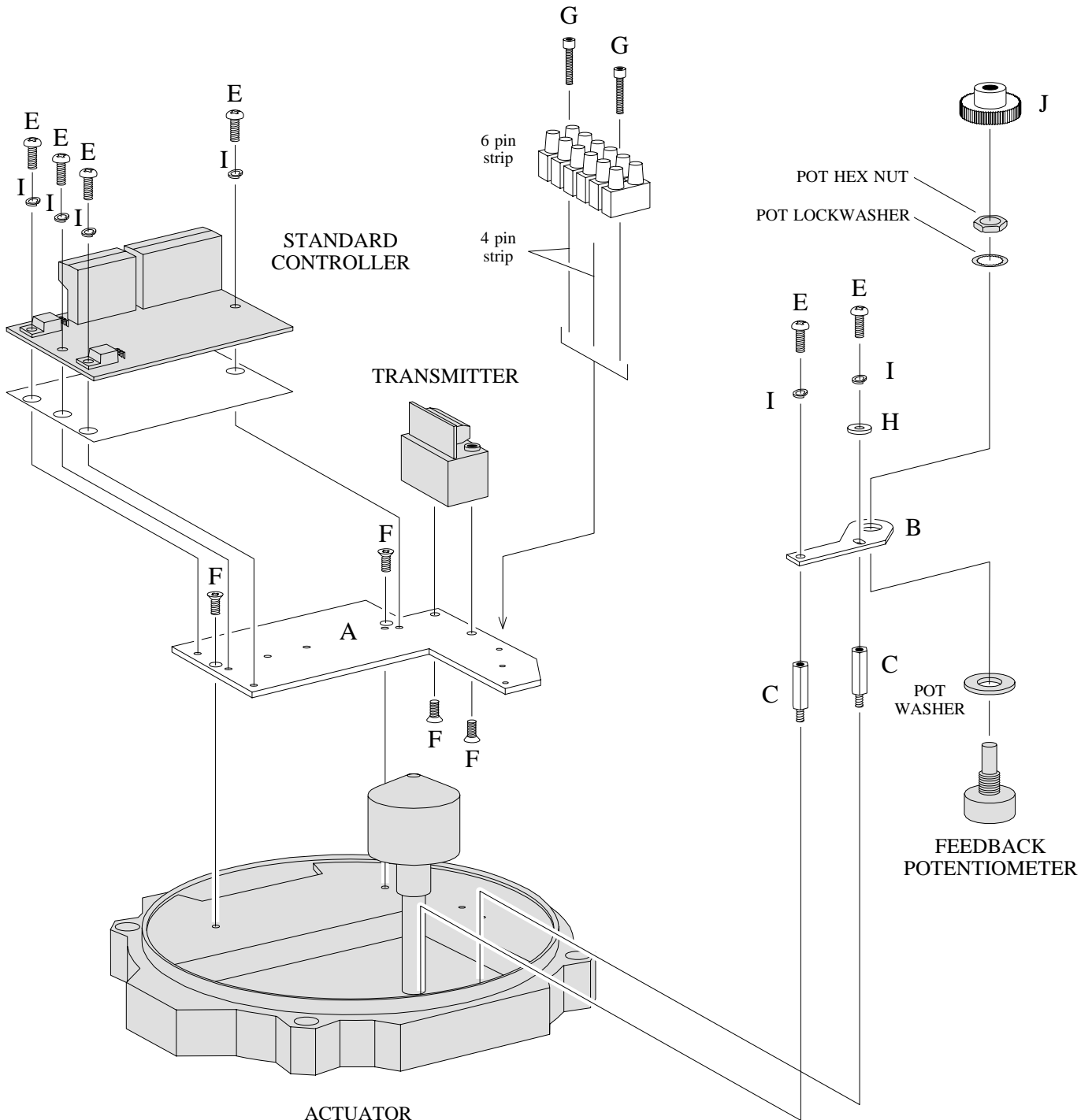


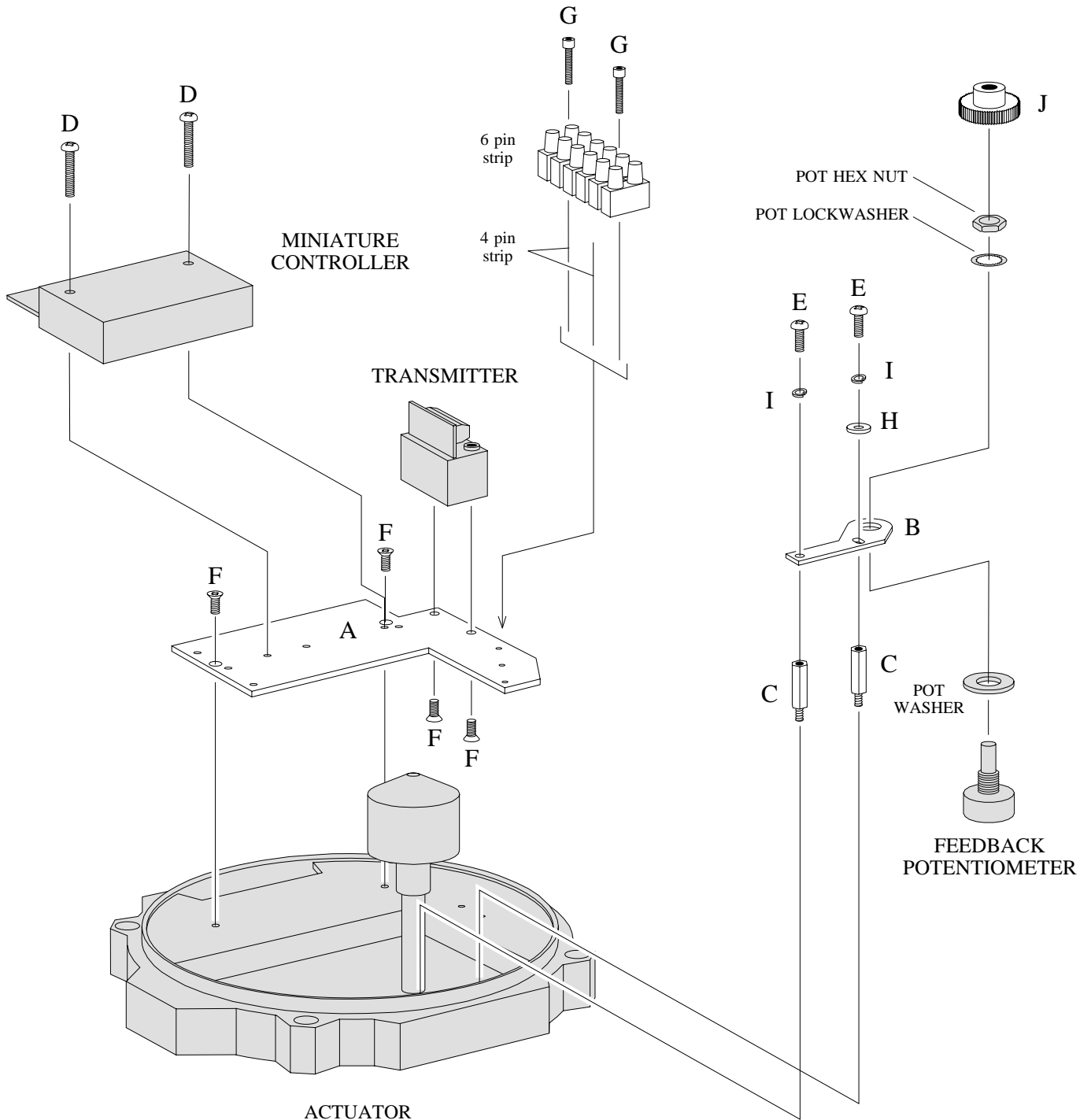
NOTE: Remount existing terminal strip using screws "G".



ASSEMBLY DIAGRAM

Bray S70-003, -006 Actuators

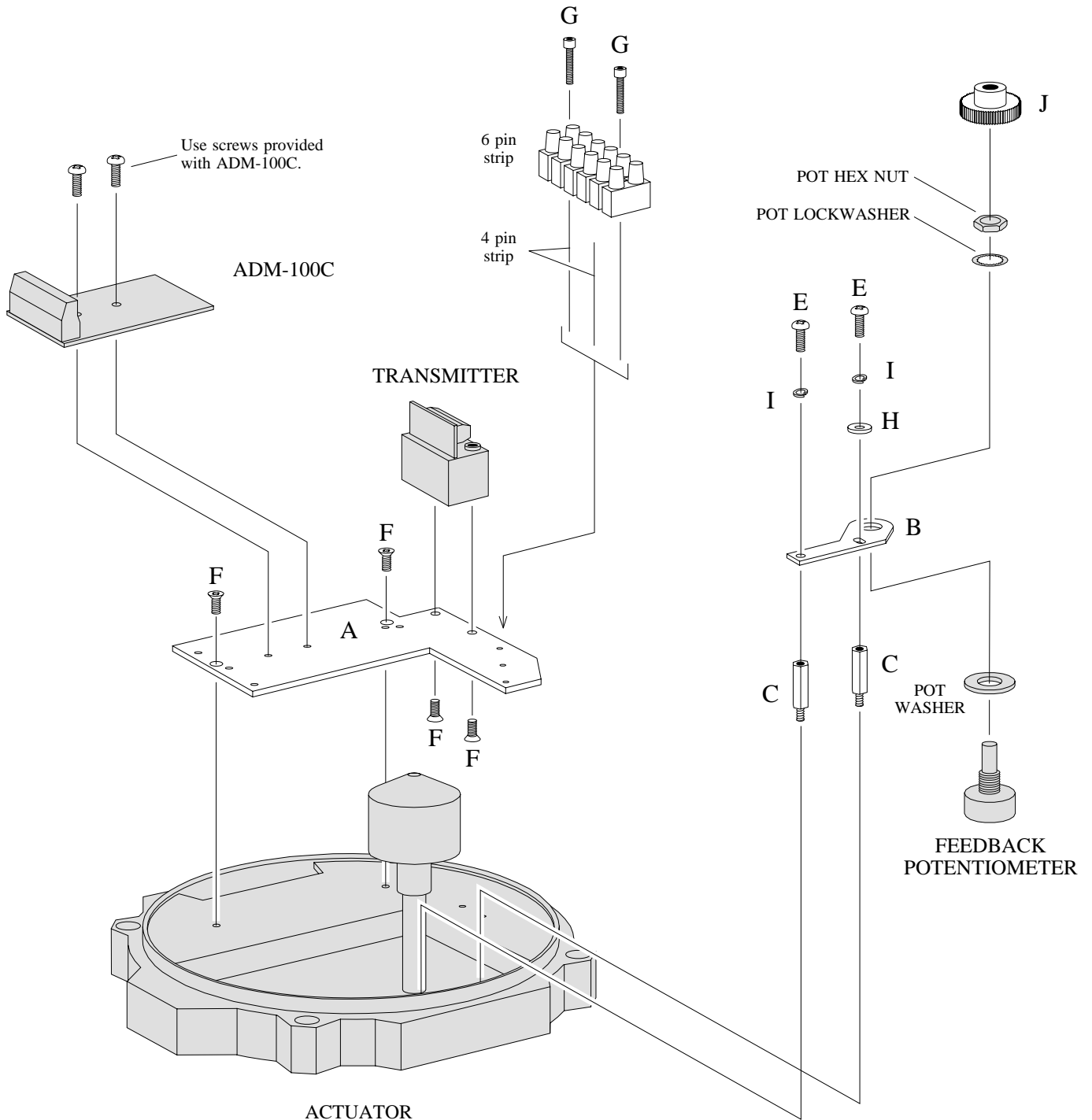
NOTE: Remount existing terminal strip using screws "G".



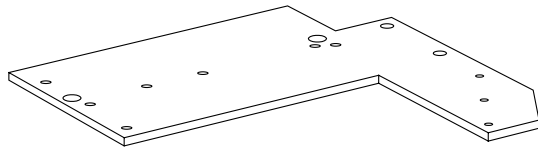
ASSEMBLY DIAGRAM

Bray S70-003, -006 Actuators

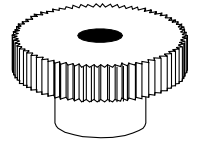
NOTE: Remount existing terminal strip using screws "G".



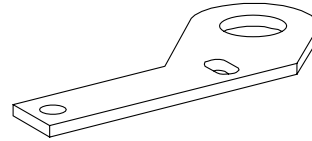
## KIT CONTENTS



A



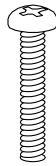
J



B



C



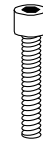
D



E



F



G



H



I

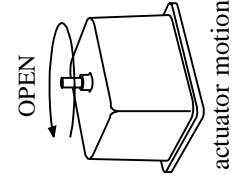
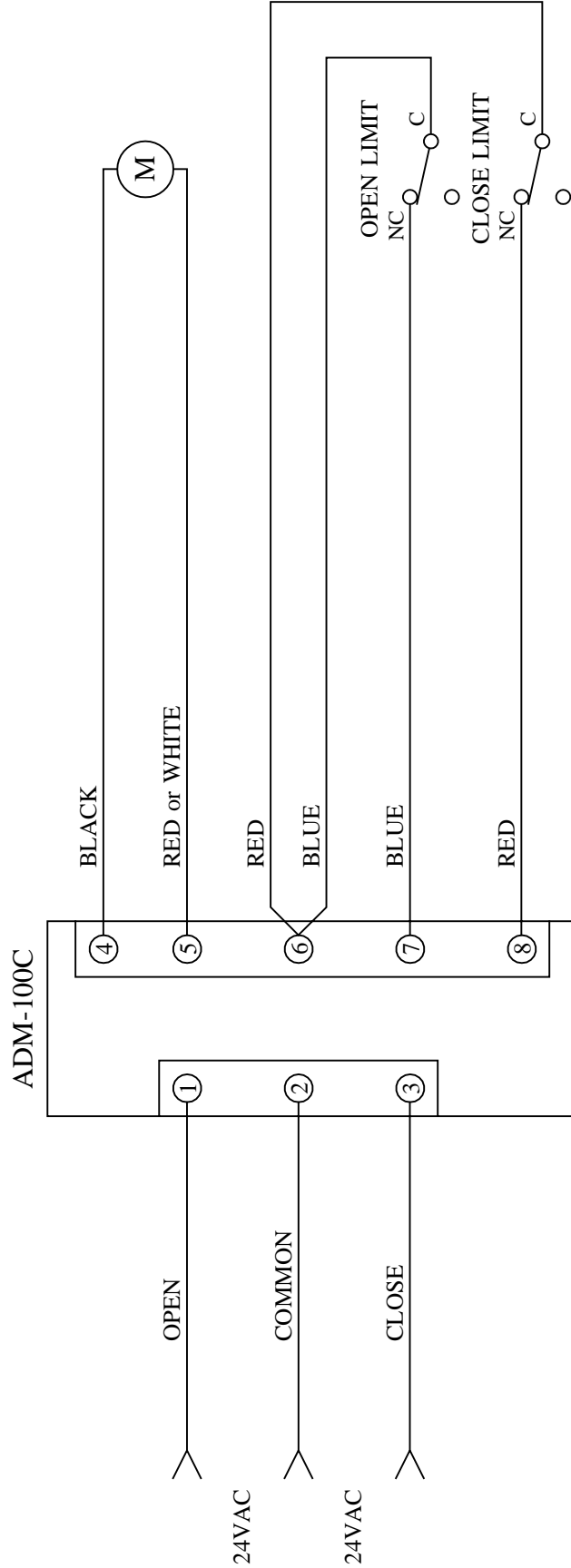
ITEM	QTY	DESCRIPTION
A	1	positioner bracket
B	1	potentiometer bracket
C	2	0.75" hex spacer
D	2	#6-32 x 0.75" pan head screw
E	6	#6-32 x 0.375" pan head screw
F	4	#6-32 x 0.25" flat head screw
G	2	#4-40 x 0.56" socket head cap screw
H	1	#6 flat washer
I	6	#6 split ring lockwasher
J	1	potentiometer gear
not shown	1	10" blue wire
not shown	1	10" red wire
not shown	1	10" yellow wire
not shown	2	10" blue wire with spade terminal
not shown	2	10" red wire with spade terminal
not shown	2	12" yellow wire with spade terminal
not shown	3	butt connector (for red, blue, and yellow motor wires, if required)
not shown	5	6.3" nylon tie wrap

# AC to DC MODULE

## WIRING DIAGRAM

Bray S70-003, -006 Actuators

The ADM-100C AC to DC Module allows a 24VDC actuator to be controlled like a 24VAC split-phase motor actuator.



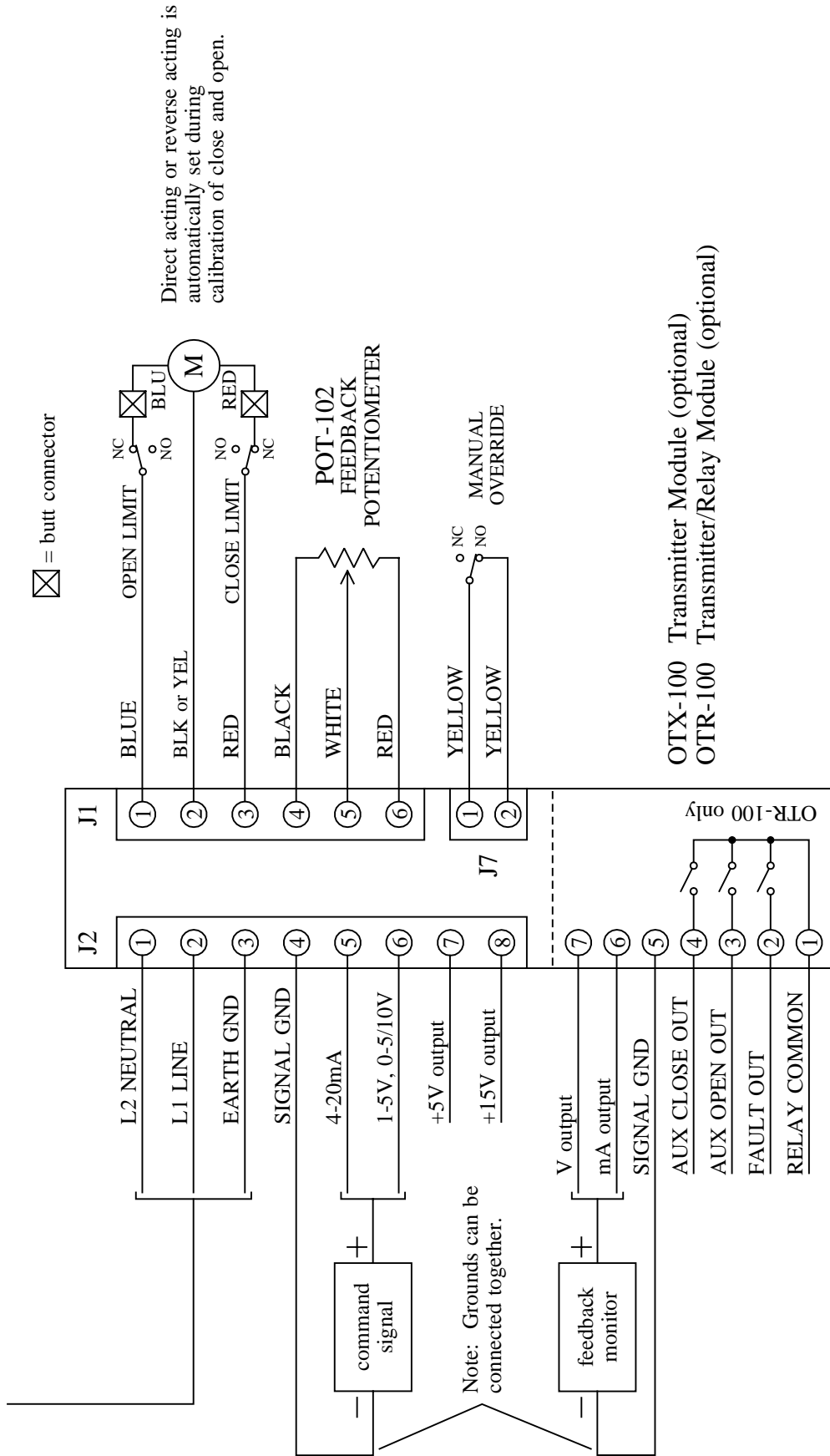
actuator motion

# AC DIGITAL POSITIONERS

## WIRING DIAGRAM

Bray S70-003, -006 Actuators

117VAC DHC-100  
234VAC DHC-100A



Direct acting or reverse acting is automatically set during calibration of close and open.

OTX-100 Transmitter Module (optional)  
OTR-100 Transmitter/Relay Module (optional)

# 24VAC DIGITAL POSITIONER

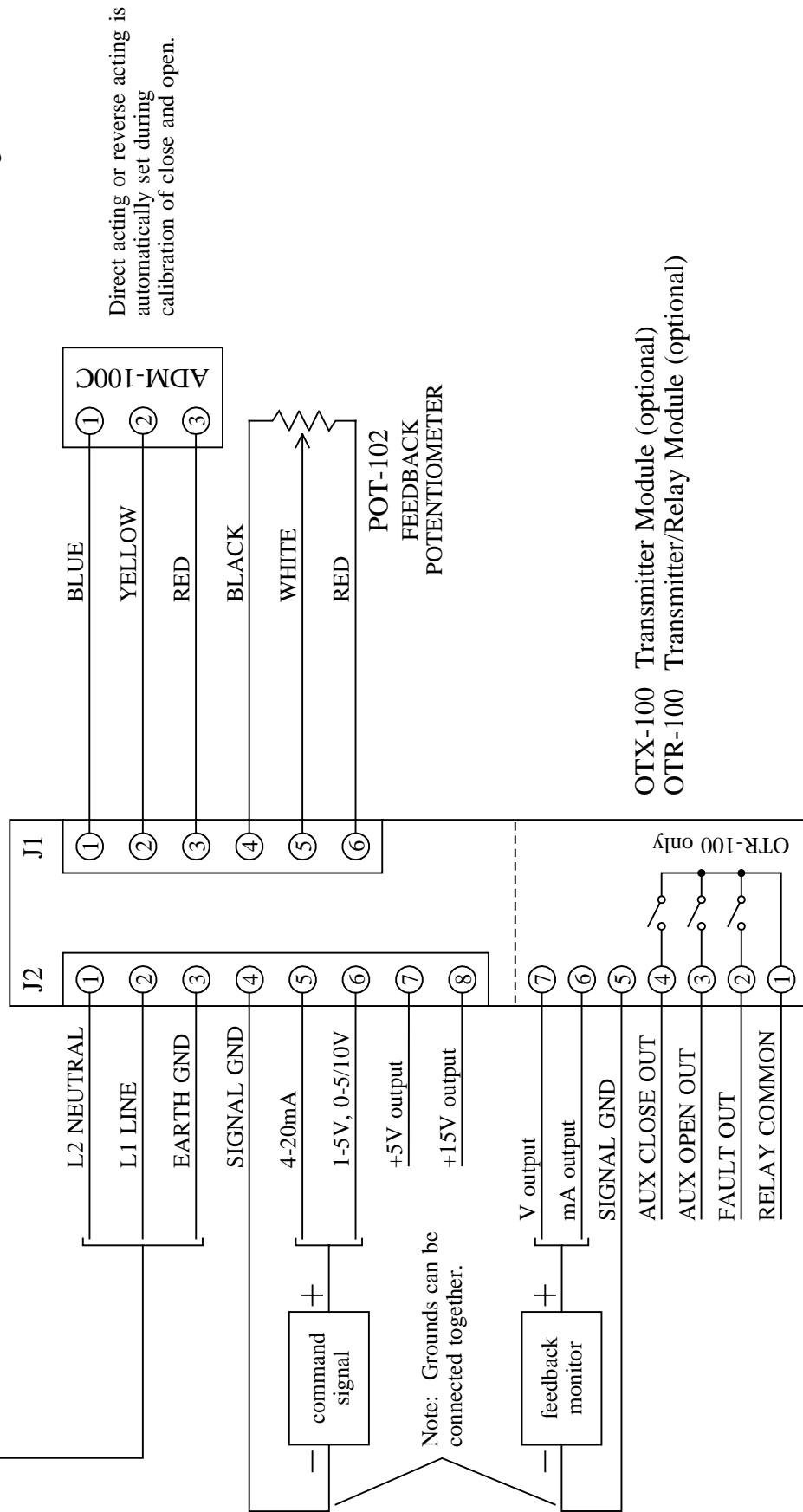
## WIRING DIAGRAM

Bray S70-003, -006 Actuators

24VAC DHC-100B

Note, this application requires an EXE-100 external enclosure.

NOTE: This application uses a 24VDC actuator with an ADM-100C AC to DC Module installed. See ADM-100C wiring.



Direct acting or reverse acting is automatically set during calibration of close and open.

OTX-100 Transmitter Module (optional)  
OTR-100 Transmitter/Relay Module (optional)

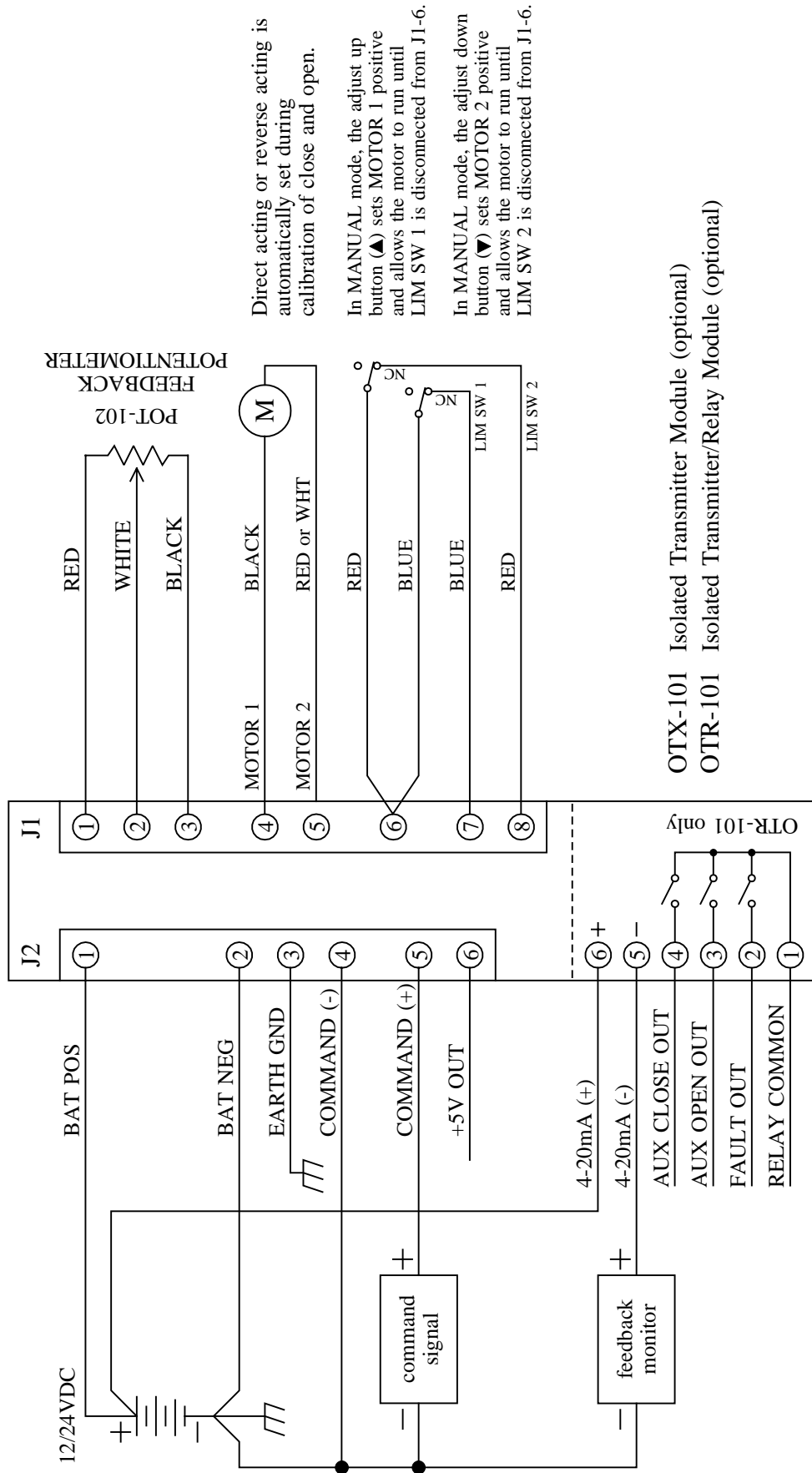
Note: Grounds can be connected together.

# DC DIGITAL POSITIONER

WIRING DIAGRAM

Bray S70-003, -006 Actuators

DHC-400



Direct acting or reverse acting is automatically set during calibration of close and open.

In MANUAL mode, the adjust up button (▲) sets MOTOR 1 positive and allows the motor to run until LIM SW 1 is disconnected from J1-6.

In MANUAL mode, the adjust down button (▼) sets MOTOR 2 positive and allows the motor to run until LIM SW 2 is disconnected from J1-6.

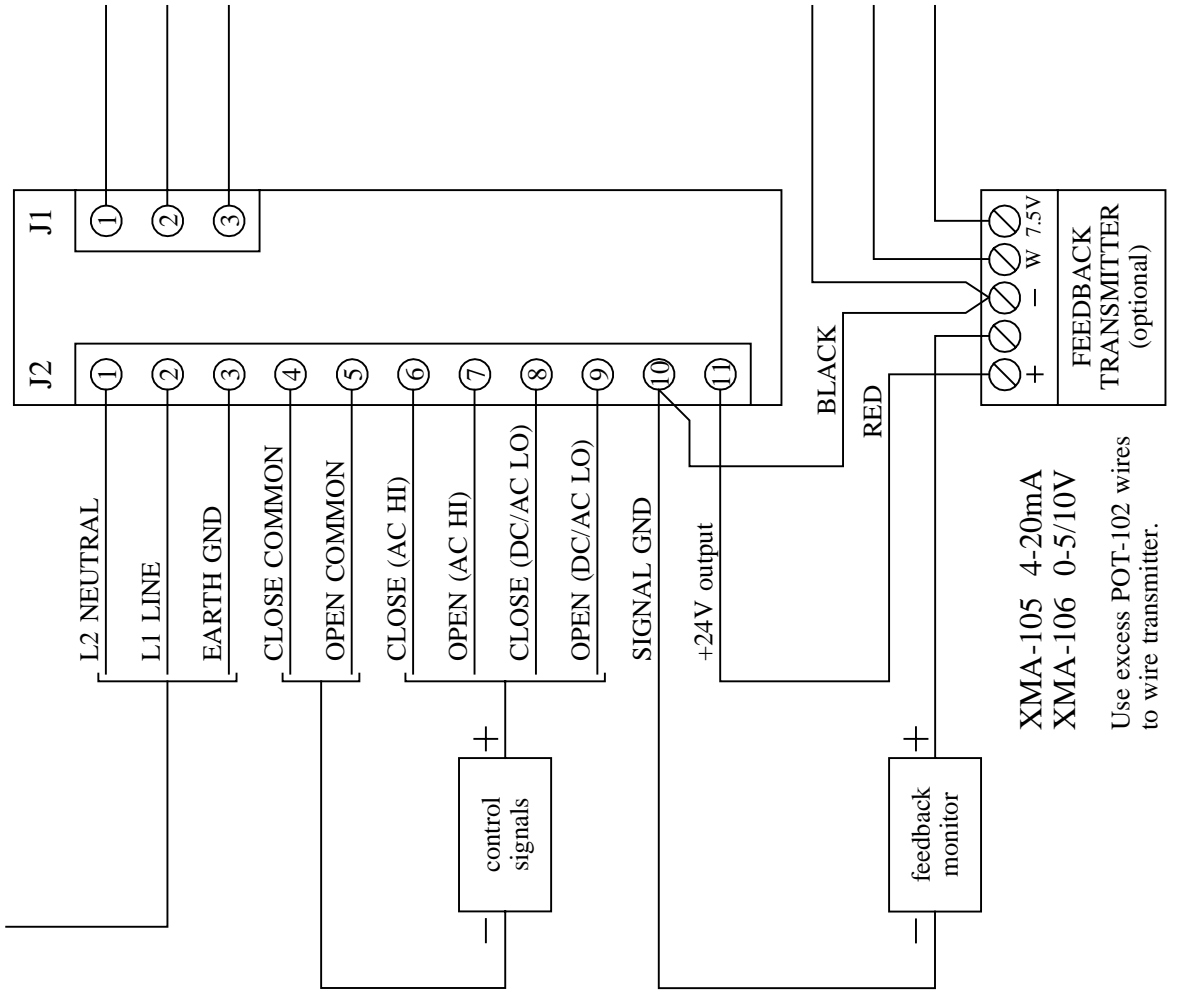


# AC ON/OFF CONTROLLERS

## WIRING DIAGRAM

Bray S70-003, -006 Actuators

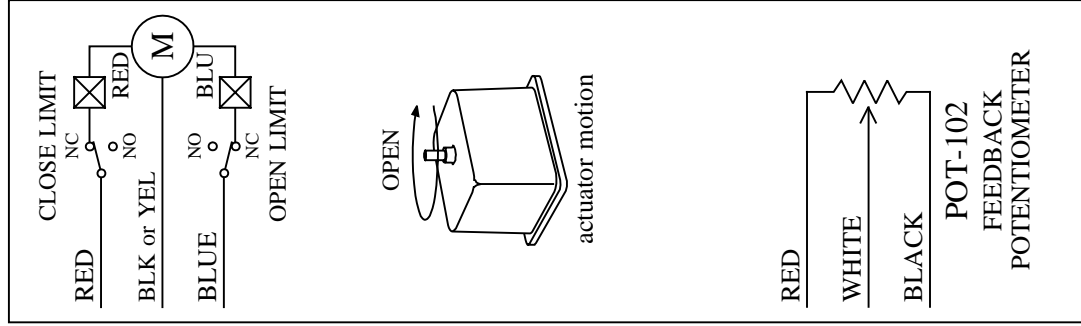
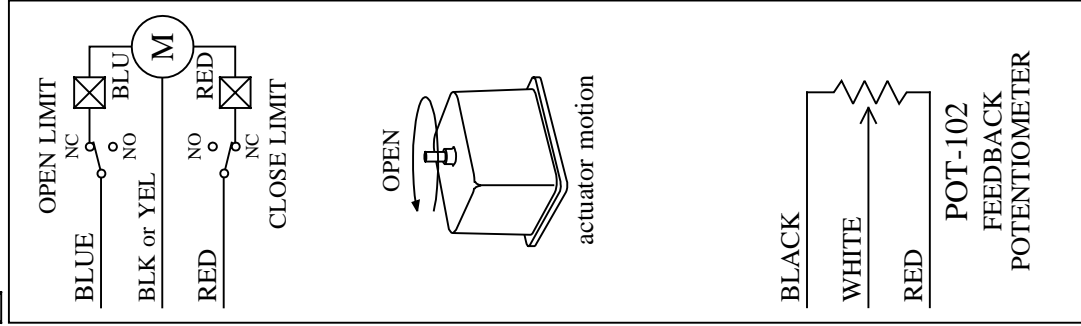
117VAC AMI-103  
234VAC AMI-103A



XMA-105 4-20mA  
XMA-106 0-5/10V

Use excess POT-102 wires to wire transmitter.

☒ = butt connector



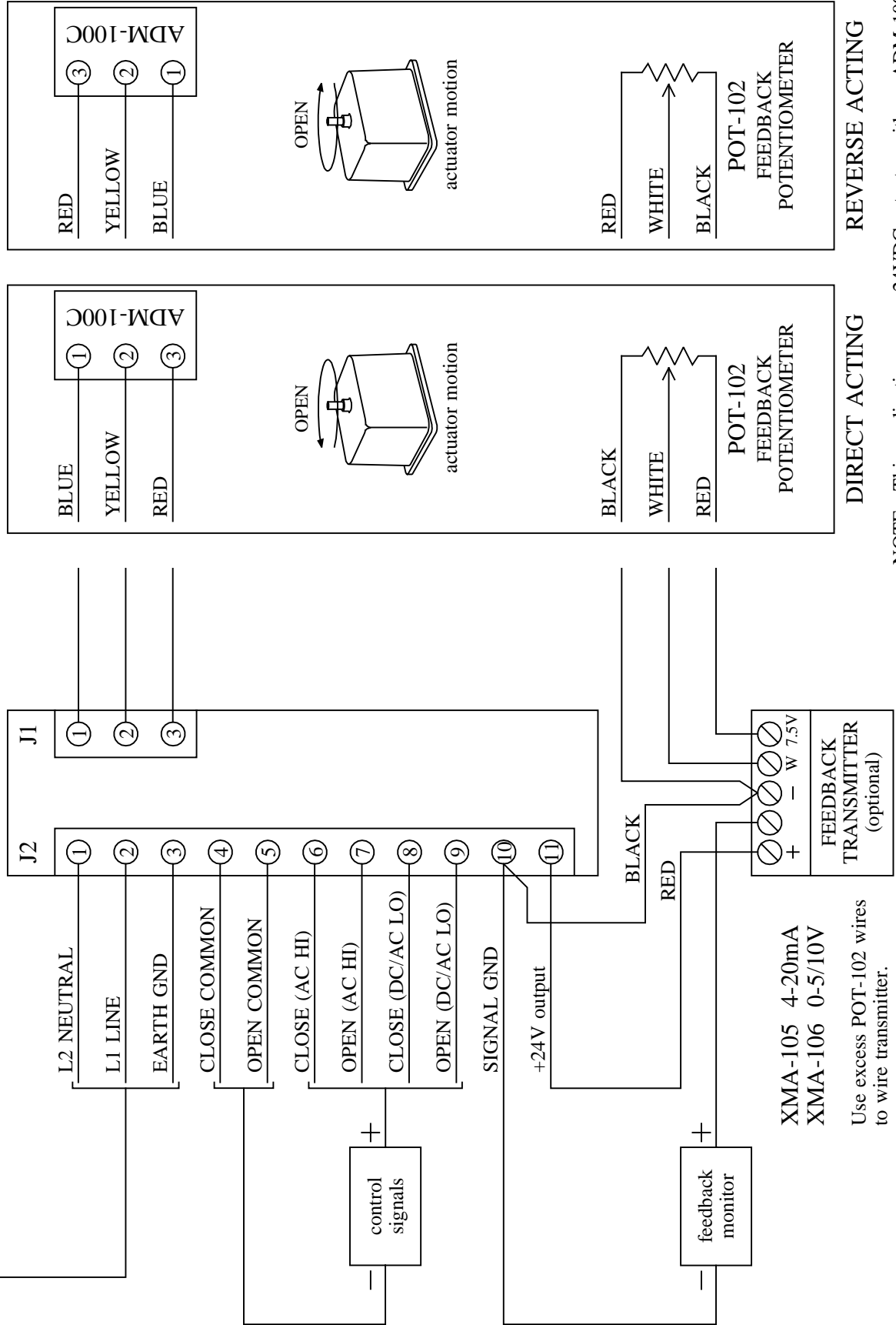
# 24VAC ON/OFF CONTROLLERS

## WIRING DIAGRAM

Bray S70-003, -006 Actuators

24VAC AMI-103B

Note, this application requires an EXE-100 external enclosure.



XMA-105 4-20mA  
 XMA-106 0-5/10V  
 Use excess POT-102 wires to wire transmitter.

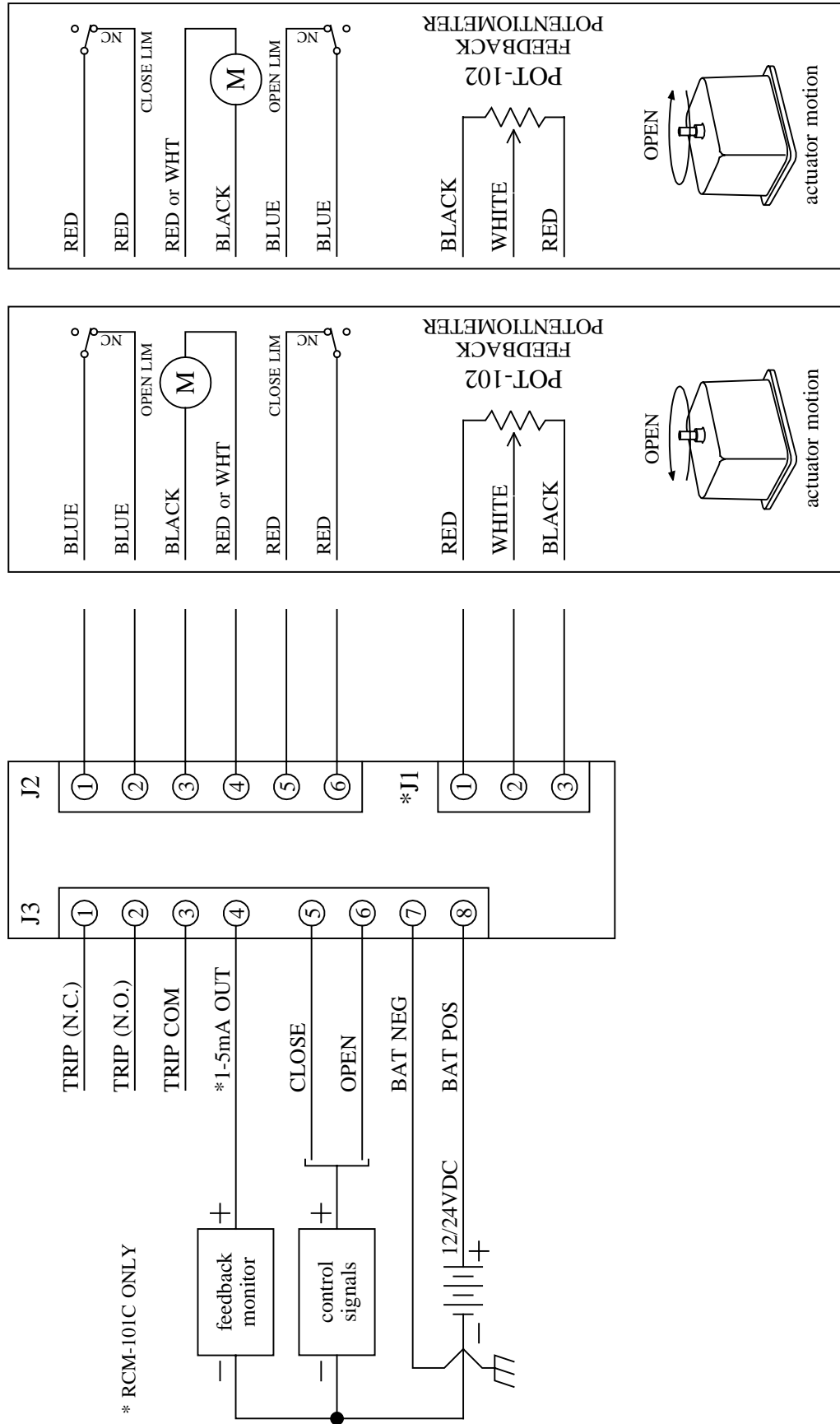
NOTE: This application uses a 24VDC actuator with an ADM-100C AC to DC Module installed. See ADM-100C wiring.

# DC ON/OFF CONTROLLER

WIRING DIAGRAM

Bray S70-003, -006 Actuators

RCM-101A / RCM-101C

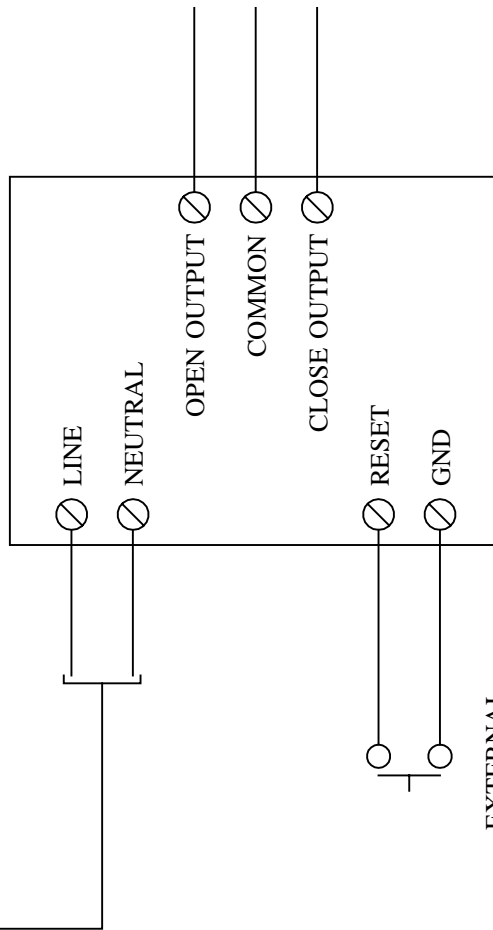


# AC SEQUENCE TIMERS

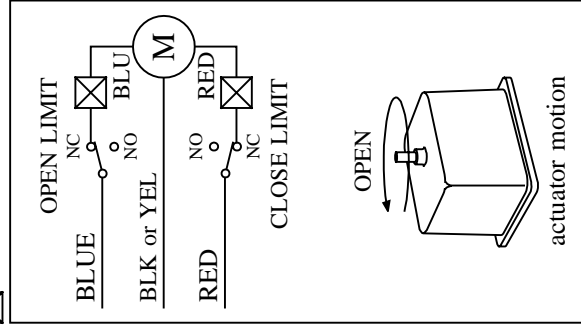
## WIRING DIAGRAM

Bray S70-003, -006 Actuators

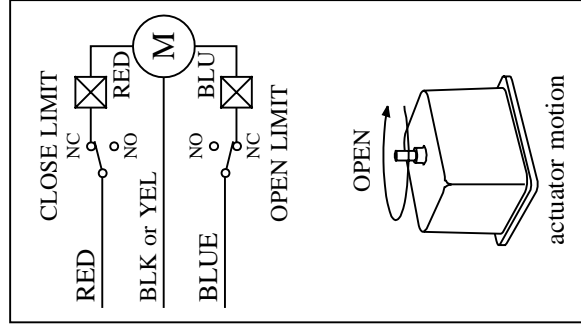
117VAC AST-100  
234VAC AST-100A



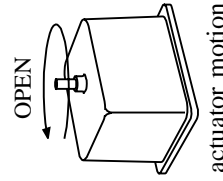
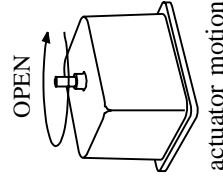
☒ = butt connector



**DIRECT ACTING**



**REVERSE ACTING**

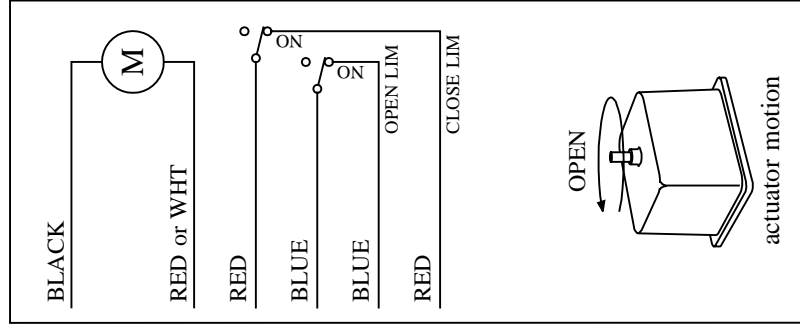
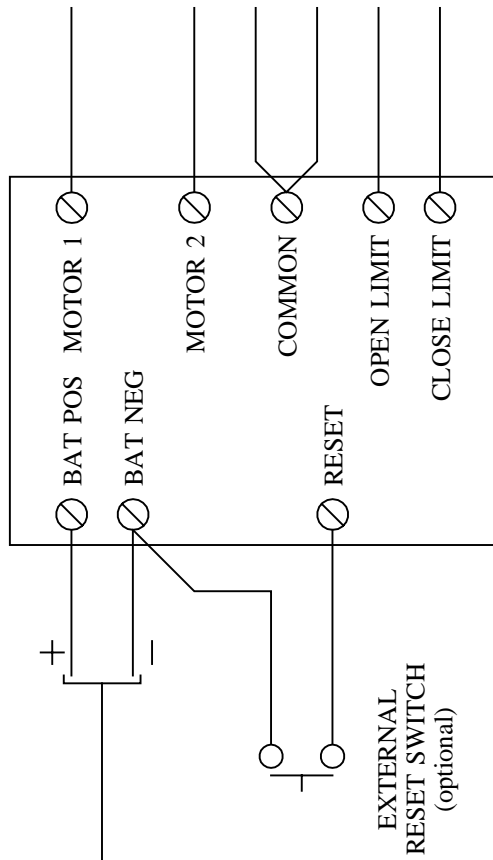


# DC SEQUENCE TIMERS

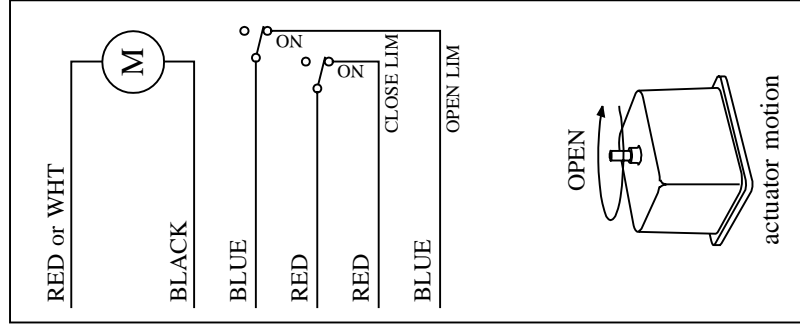
## WIRING DIAGRAM

Bray S70-003, -006 Actuators

24VDC DST-100A



DIRECT ACTING



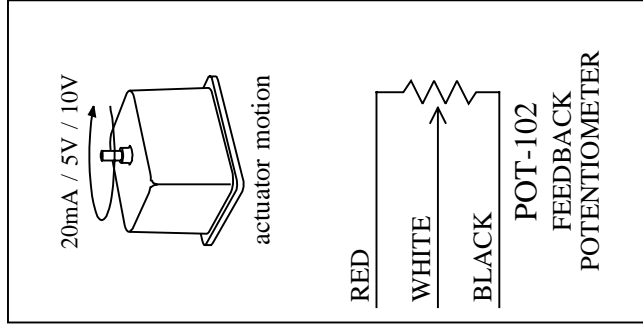
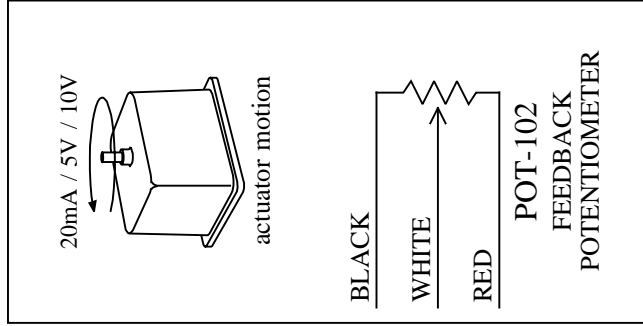
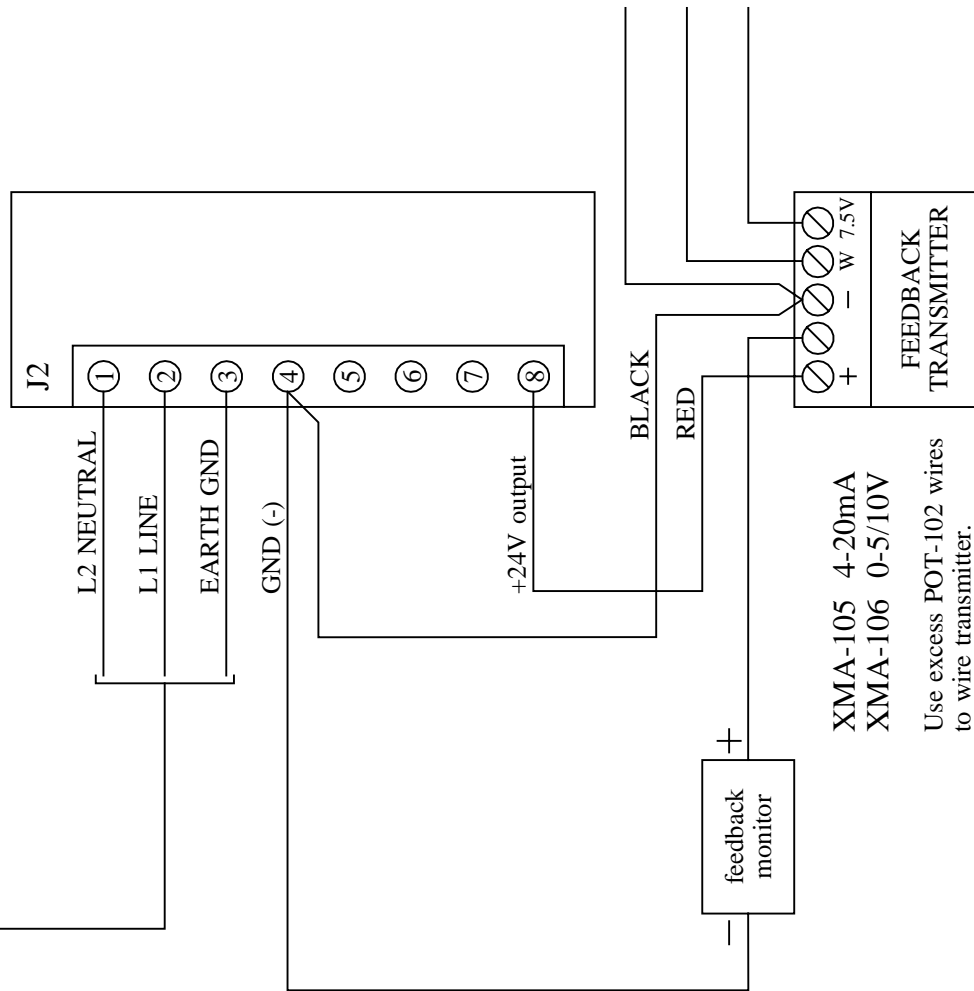
REVERSE ACTING

# FEEDBACK TRANSMITTERS (powered)

## WIRING DIAGRAM

Bray S70-003, -006 Actuators

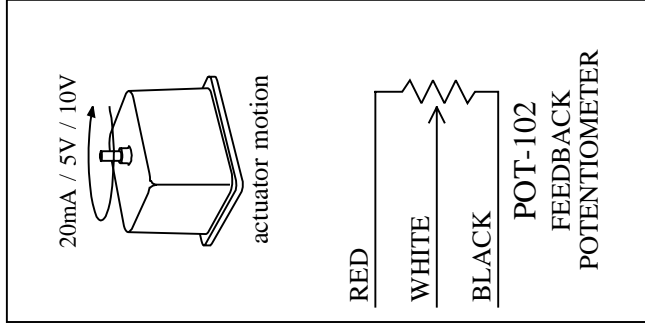
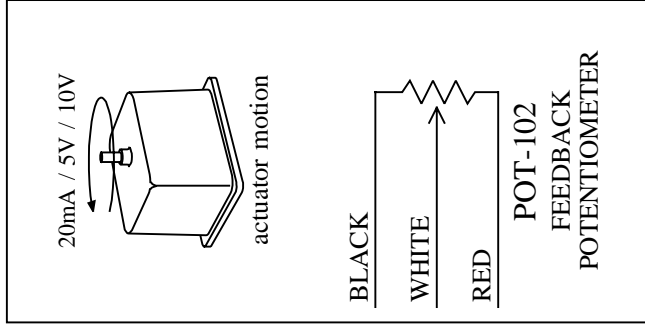
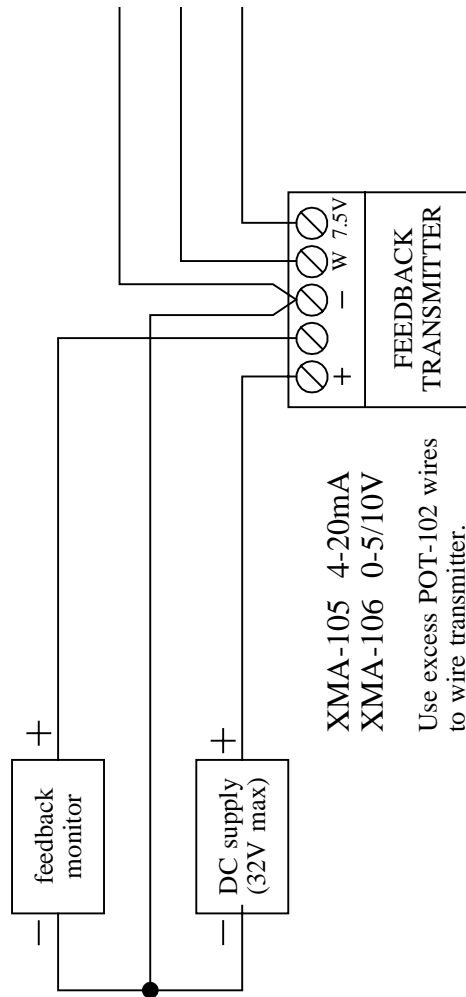
117VAC PWR-102  
234VAC PWR-102A



# FEEDBACK TRANSMITTERS (externally powered)

## WIRING DIAGRAM

Bray S70-003, -006 Actuators



# FEEDBACK TRANSMITTER (loop powered)

WIRING DIAGRAM

Bray S70-003, -006 Actuators

