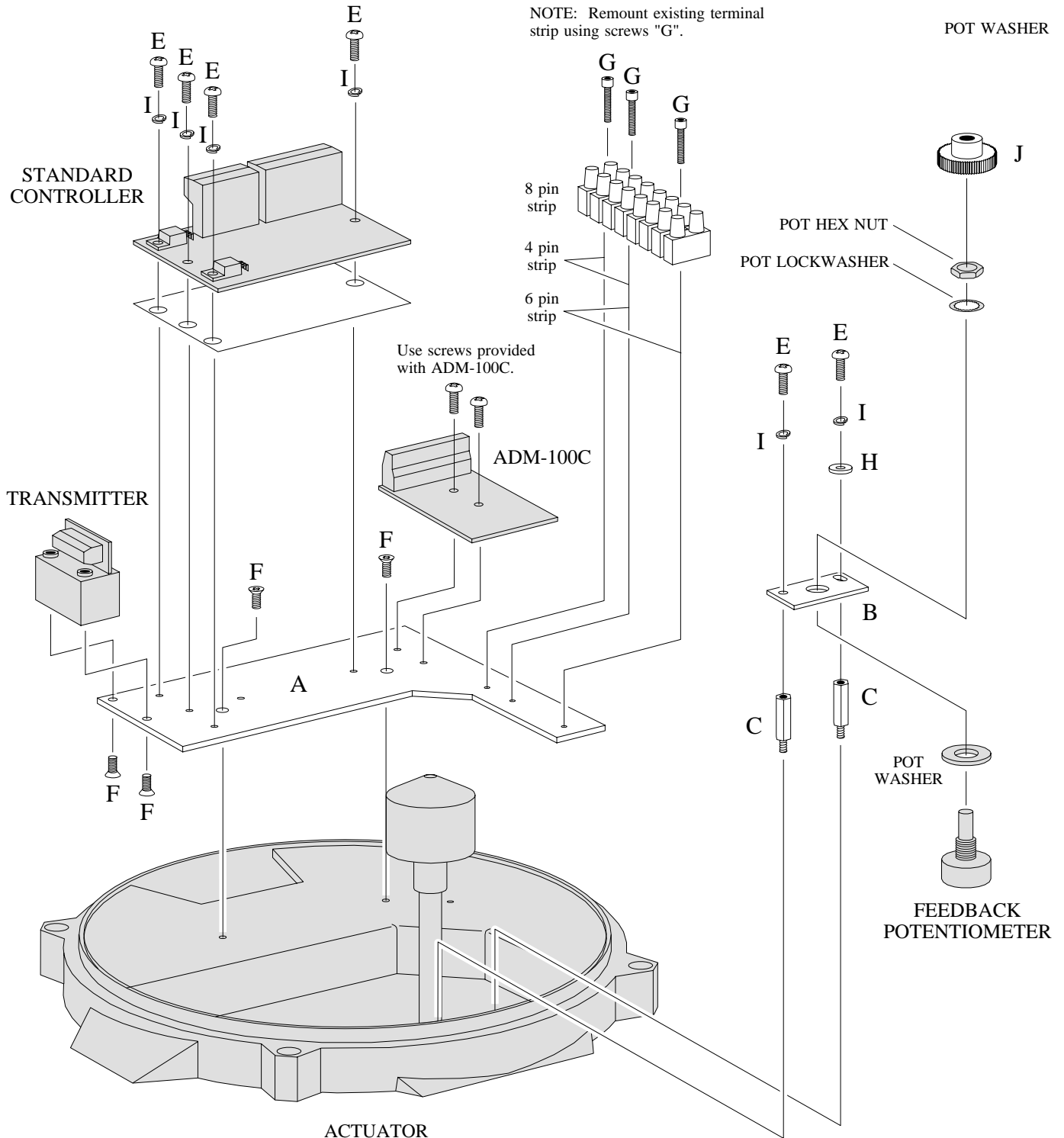


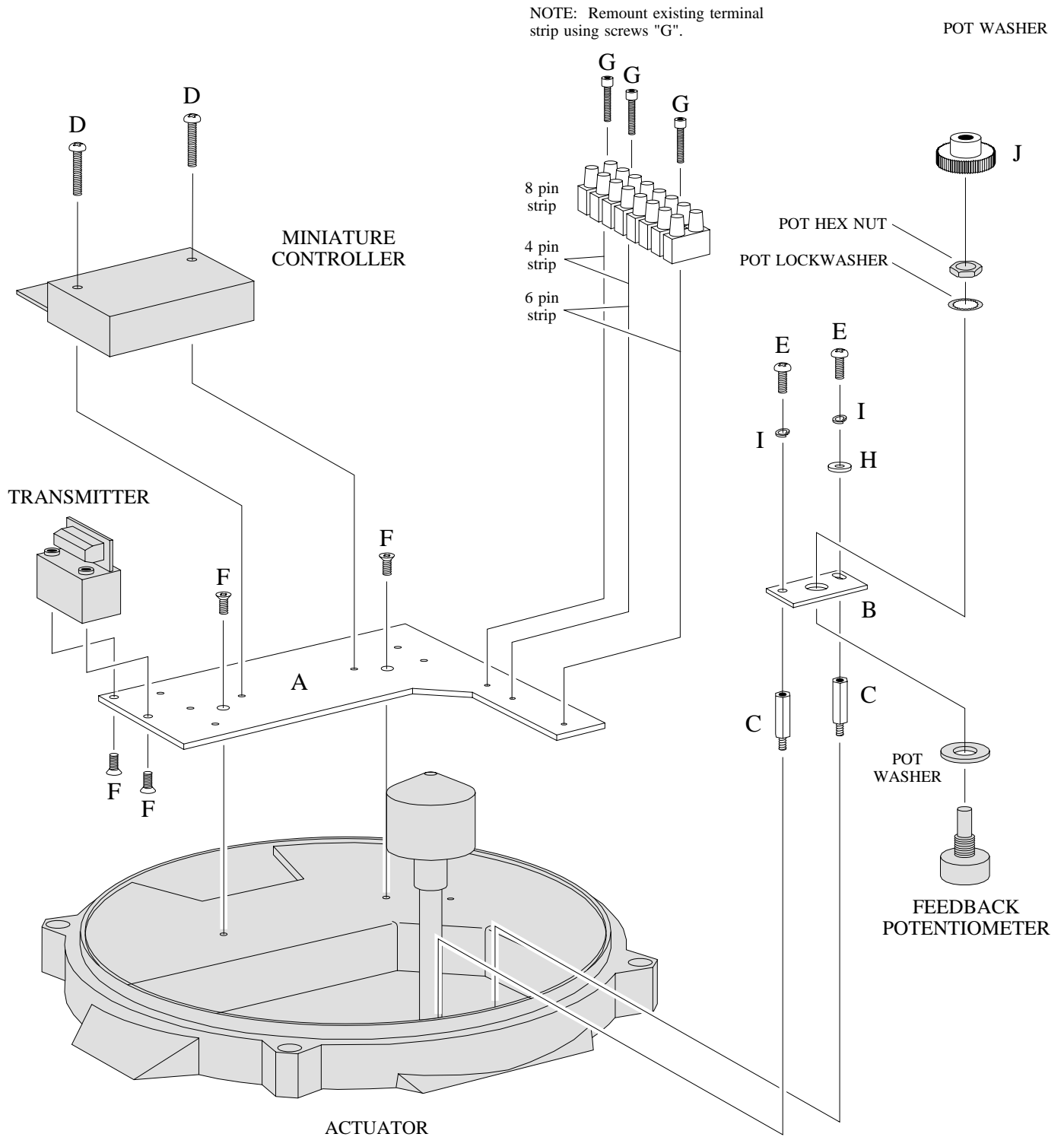
ASSEMBLY DIAGRAM

Bray S70-008, -012, -020, -030, -050, -065, -708, -712, -720 Actuators

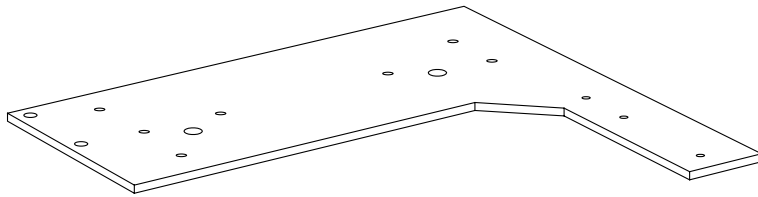


ASSEMBLY DIAGRAM

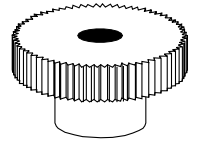
Bray S70-008, -012, -020, -030, -050, -065, -708, -712, -720 Actuators



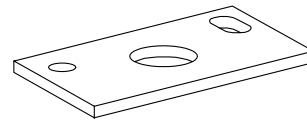
KIT CONTENTS



A



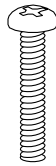
J



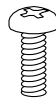
B



C



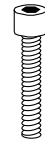
D



E



F



G



H



I

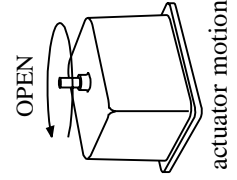
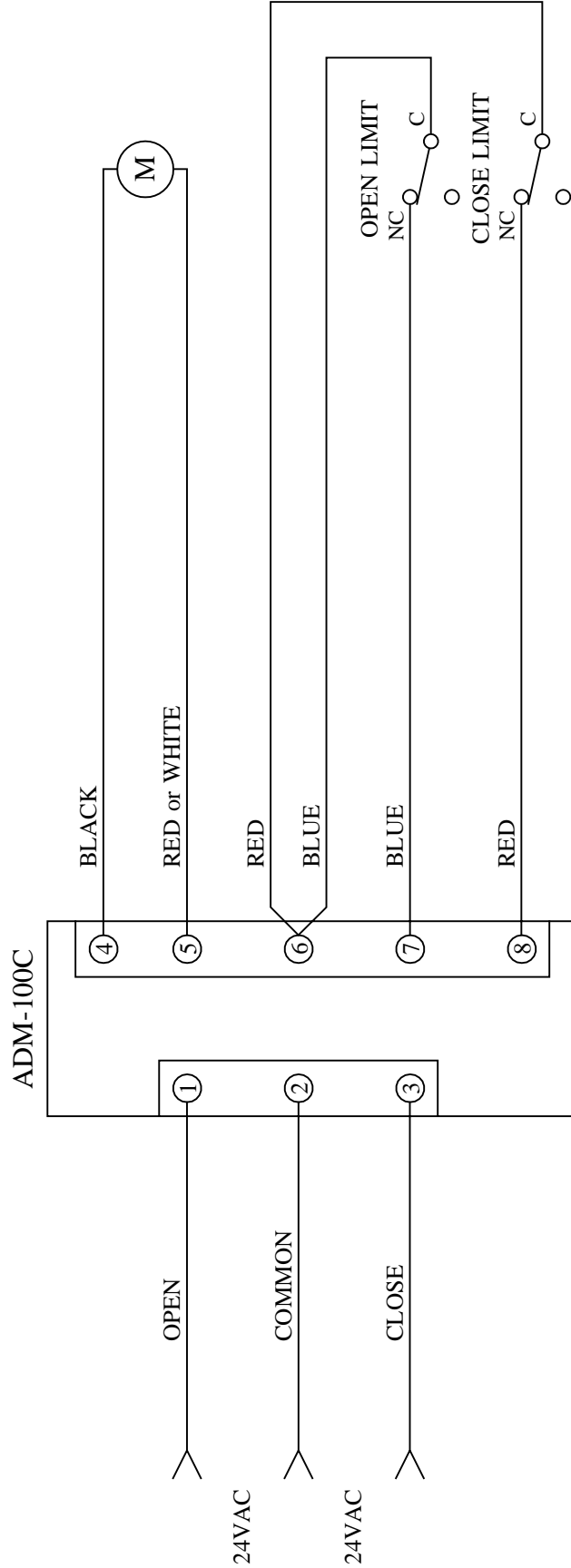
ITEM	QTY	DESCRIPTION
A	1	positioner bracket
B	1	potentiometer bracket
C	2	0.75" hex spacer
D	2	#6-32 x 0.75" pan head screw
E	6	#6-32 x 0.375" pan head screw
F	4	#6-32 x 0.25" flat head screw
G	3	#4-40 x 0.56" socket head cap screw
H	1	#6 flat washer
I	6	#6 split ring lockwasher
J	1	potentiometer gear
not shown	1	10" blue wire
not shown	1	10" red wire
not shown	1	10" yellow wire
not shown	2	10" blue wire with spade terminal
not shown	2	10" red wire with spade terminal
not shown	2	12" yellow wire with spade terminal
not shown	3	butt connector (for red, blue, and yellow motor wires, if required)
not shown	7	6.3" nylon tie wrap

AC to DC MODULE

WIRING DIAGRAM

Bray S70-008, -012, -020, -030, -050, -065, -708, -712, -720 Actuators

The ADM-100C AC to DC Module allows a 24VDC actuator to be controlled like a 24VAC split-phase motor actuator.

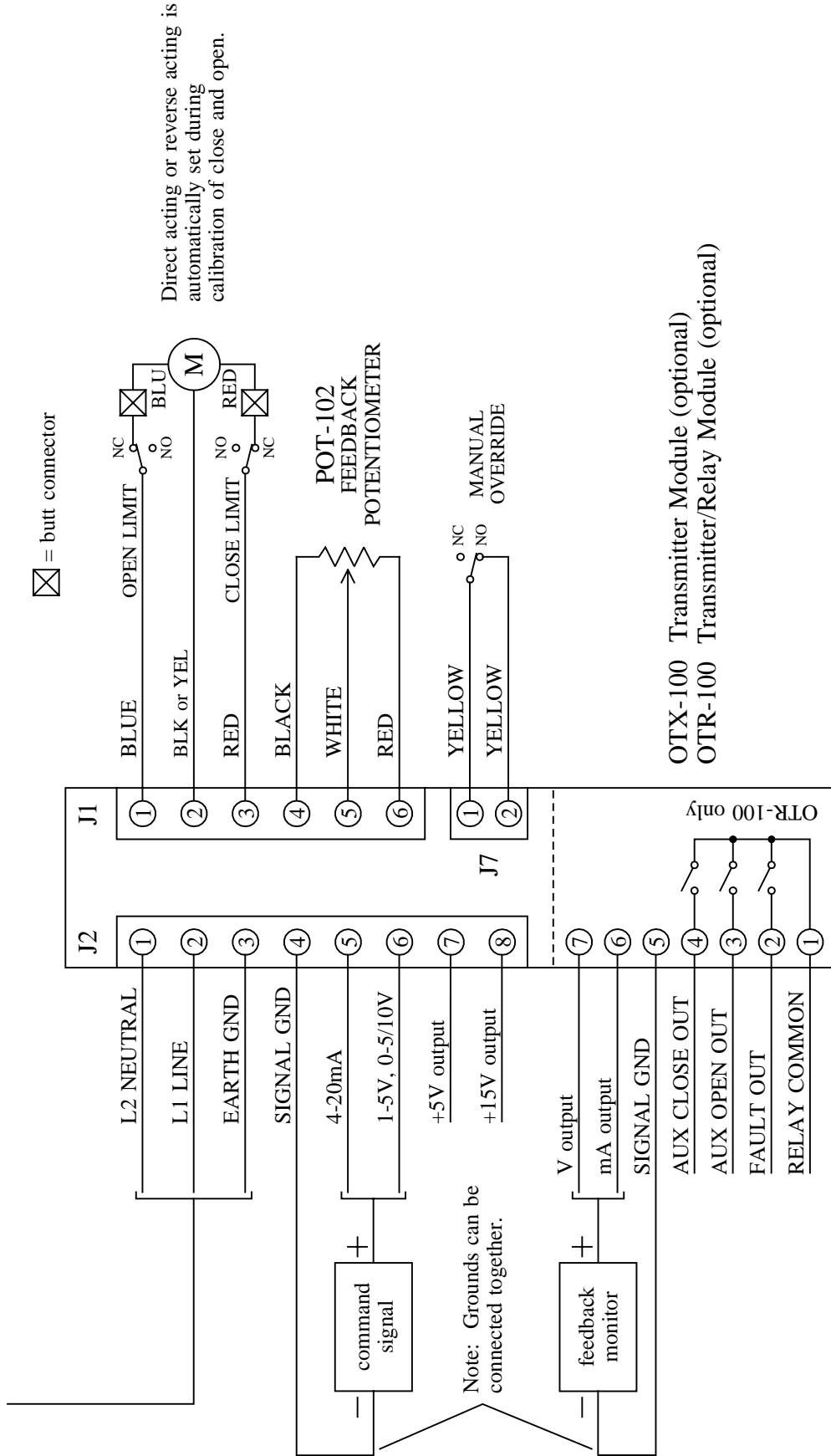


AC DIGITAL POSITIONERS

WIRING DIAGRAM

Bray S70-008, -012, -020, -030, -050, -065, -708, -712, -720 Actuators

117VAC DHC-100
234VAC DHC-100A



OTX-100 Transmitter Module (optional)
OTR-100 Transmitter/Relay Module (optional)

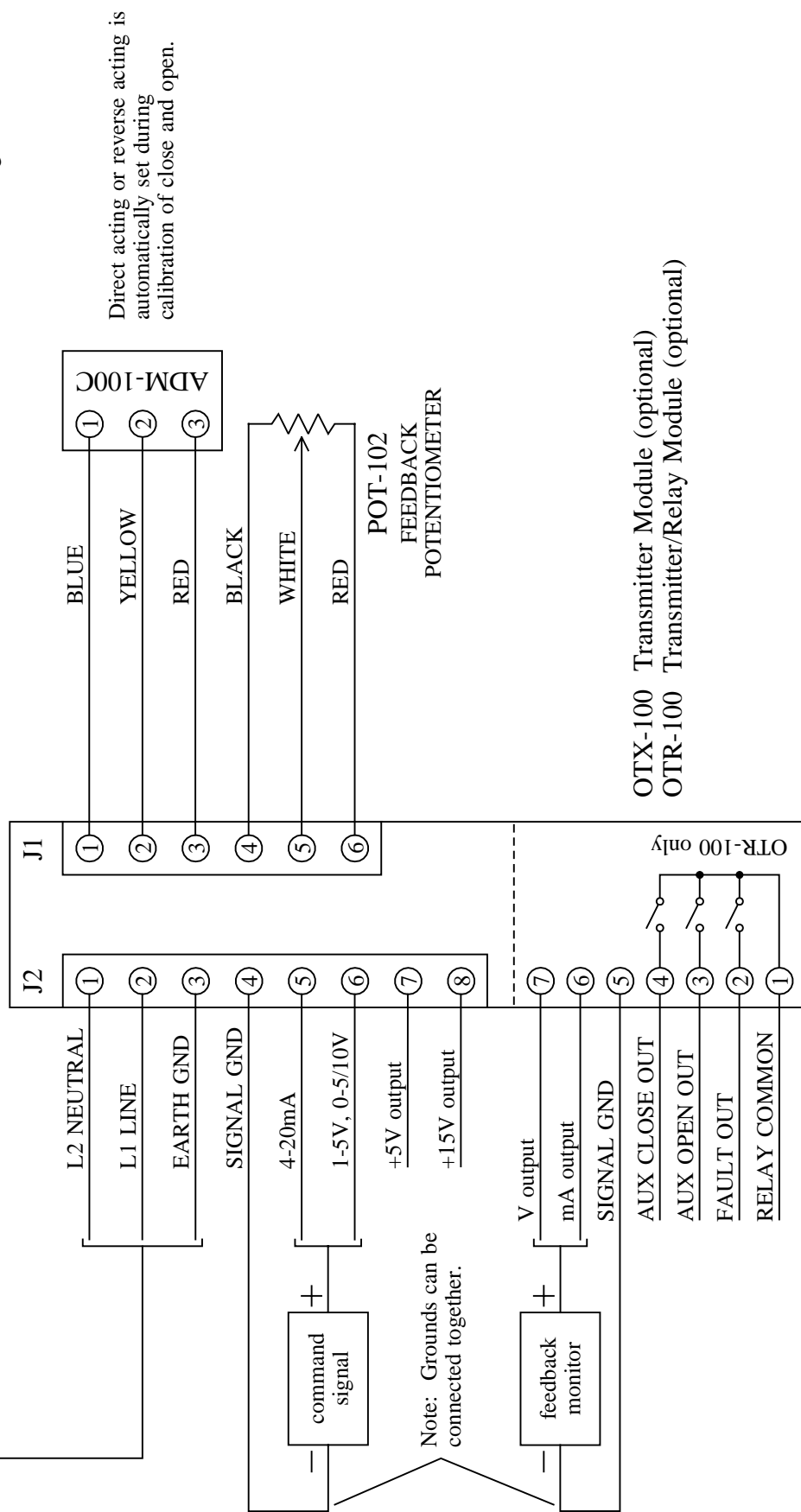
24VAC DIGITAL POSITIONER

WIRING DIAGRAM

Bray S70-008, -012, -020, -030, -050, -065, -708, -712, -720 Actuators

24VAC DHC-100B

NOTE: This application uses a 24VDC actuator with an ADM-100C AC to DC Module installed. See ADM-100C wiring.



OTX-100 Transmitter Module (optional)
OTR-100 Transmitter/Relay Module (optional)

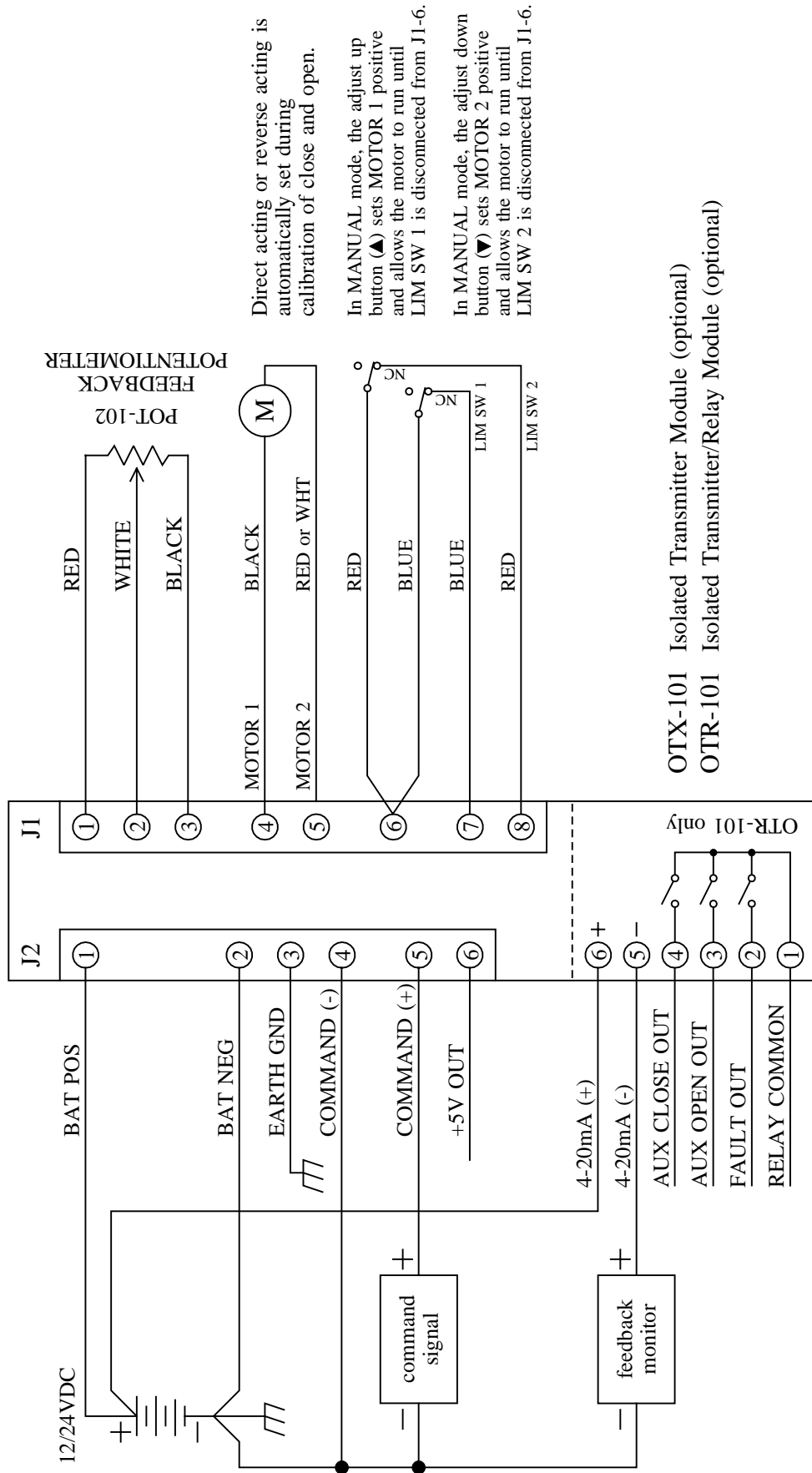
Direct acting or reverse acting is automatically set during calibration of close and open.

DC DIGITAL POSITIONER

WIRING DIAGRAM

Bray S70-008, -012, -020, -030, -050, -065, -708, -712, -720 Actuators

DHC-400



Direct acting or reverse acting is automatically set during calibration of close and open.

In MANUAL mode, the adjust up button (▲) sets MOTOR 1 positive and allows the motor to run until LIM SW 1 is disconnected from J1-6.

In MANUAL mode, the adjust down button (▼) sets MOTOR 2 positive and allows the motor to run until LIM SW 2 is disconnected from J1-6.

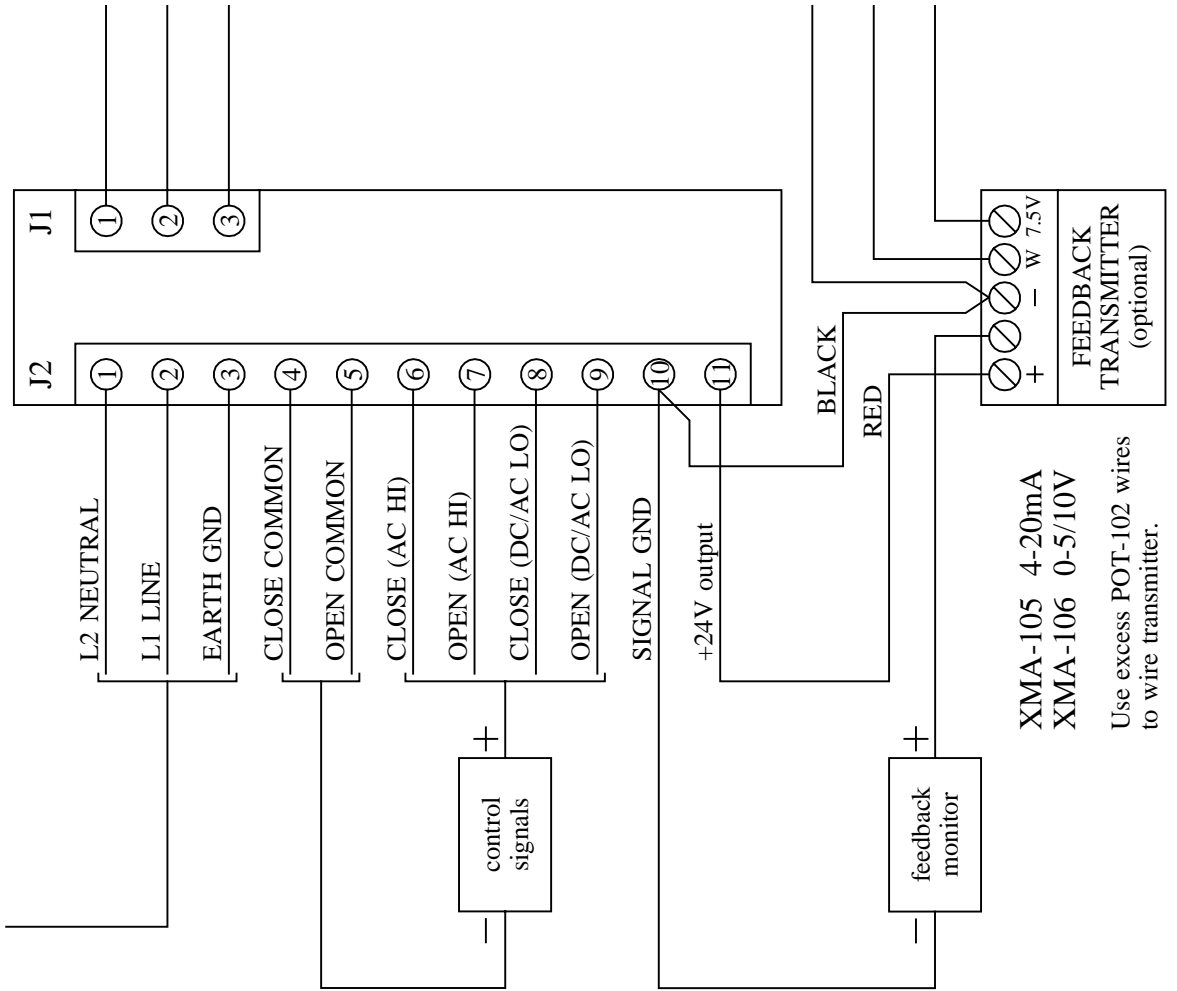
OTX-101 Isolated Transmitter Module (optional)
 OTR-101 Isolated Transmitter/Relay Module (optional)

AC ON/OFF CONTROLLERS

WIRING DIAGRAM

Bray S70-008, -012, -020, -030, -050, -065, -708, -712, -720 Actuators

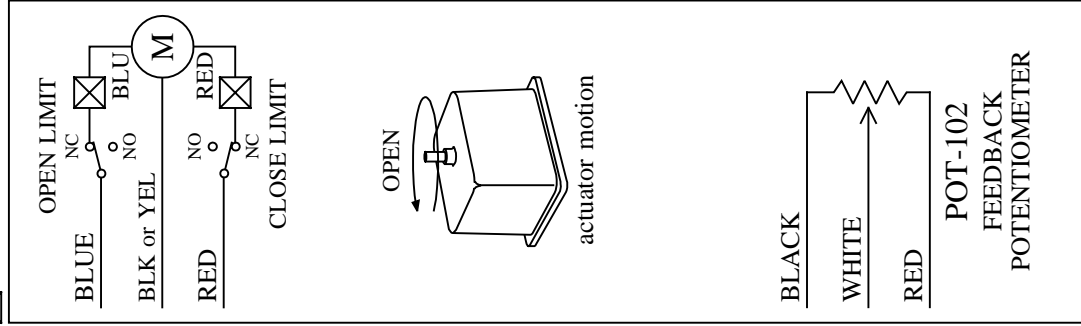
117VAC AMI-103
234VAC AMI-103A



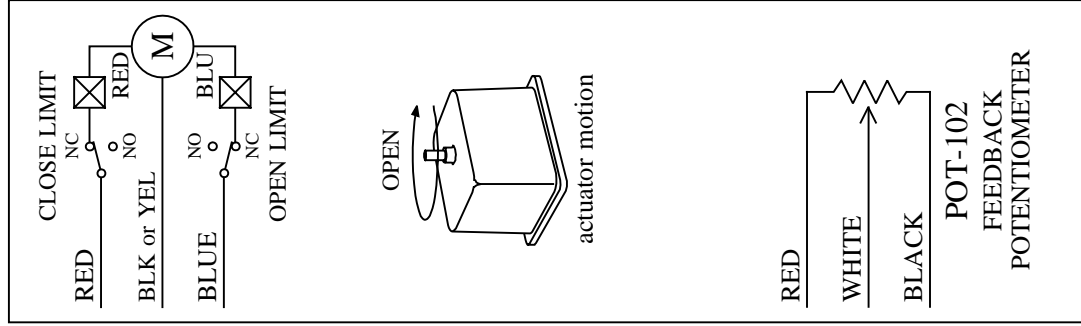
XMA-105 4-20mA
XMA-106 0-5/10V

Use excess POT-102 wires to wire transmitter.

☒ = butt connector



DIRECT ACTING



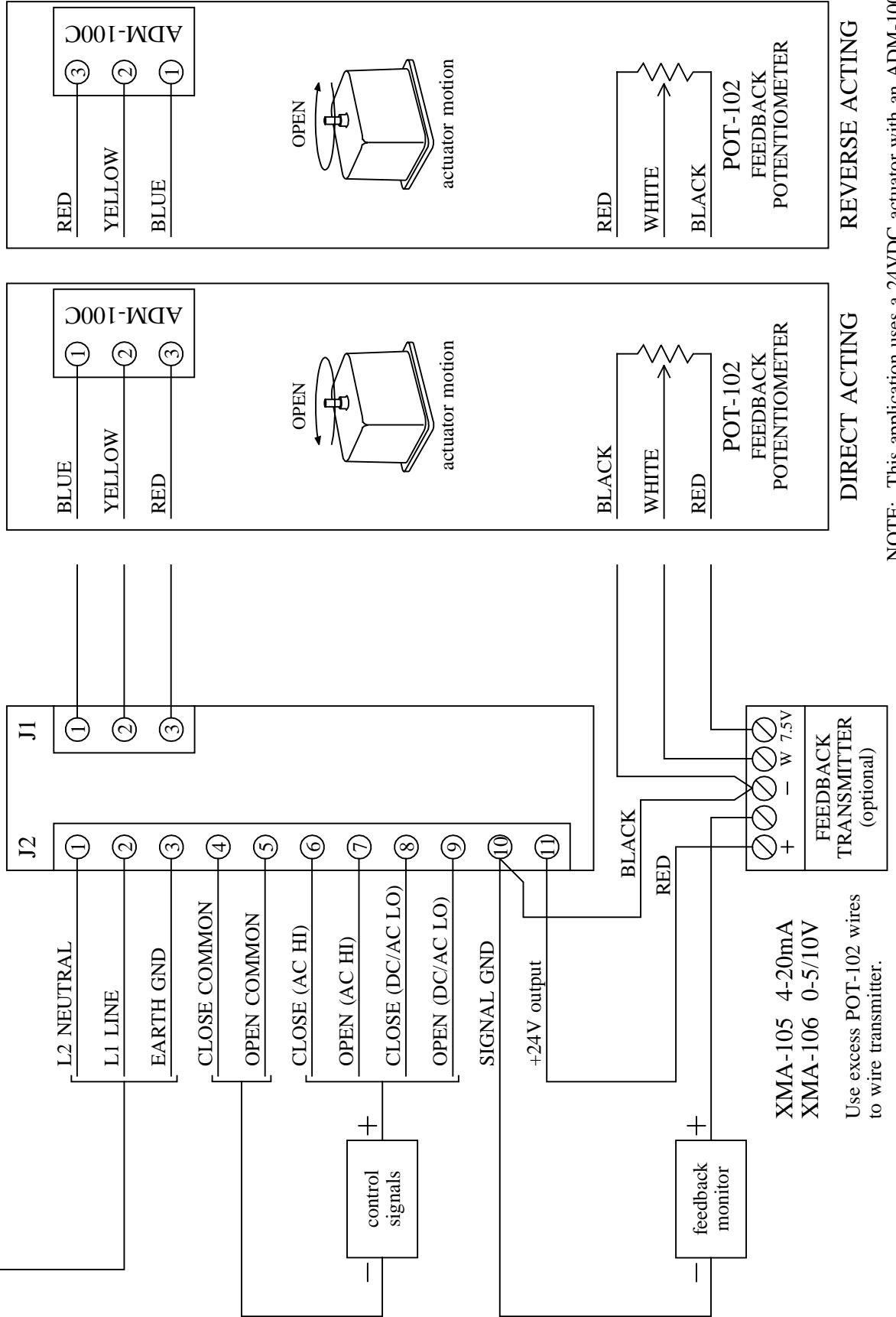
REVERSE ACTING

24VAC ON/OFF CONTROLLERS

WIRING DIAGRAM

Bray S70-008, -012, -020, -030, -050, -065, -708, -712, -720 Actuators

24VAC AMI-103B



XMA-105 4-20mA
 XMA-106 0-5/10V
 Use excess POT-102 wires to wire transmitter.

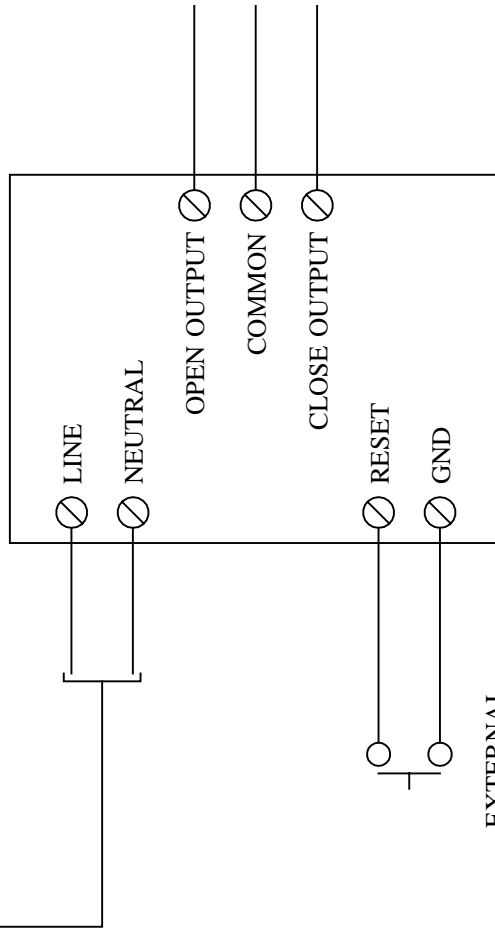
NOTE: This application uses a 24VDC actuator with an ADM-100C AC to DC Module installed. See ADM-100C wiring.

AC SEQUENCE TIMERS

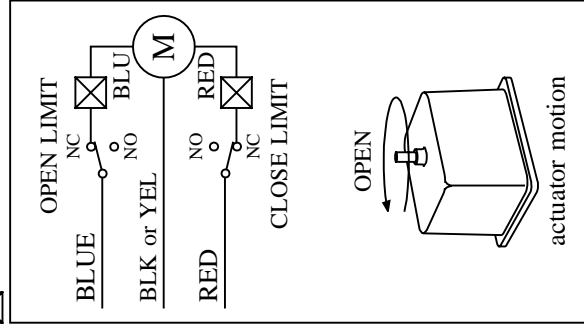
WIRING DIAGRAM

Bray S70-008, -012, -020, -030, -050, -065, -708, -712, -720 Actuators

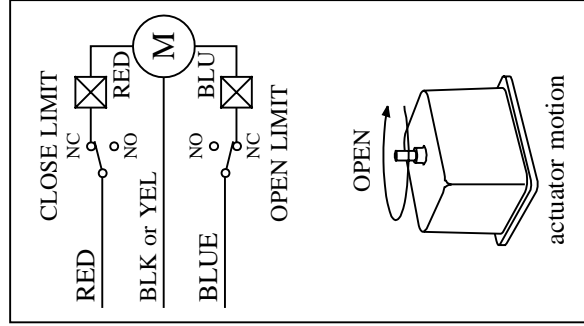
117VAC AST-100
234VAC AST-100A



☒ = butt connector



DIRECT ACTING



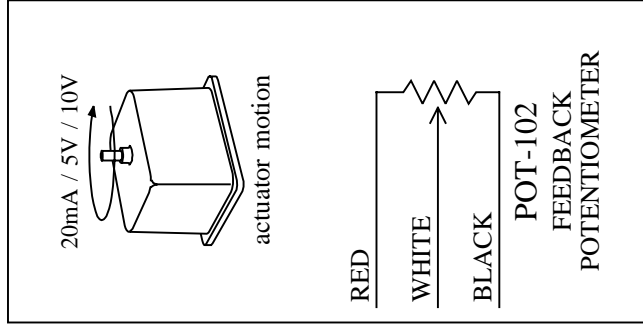
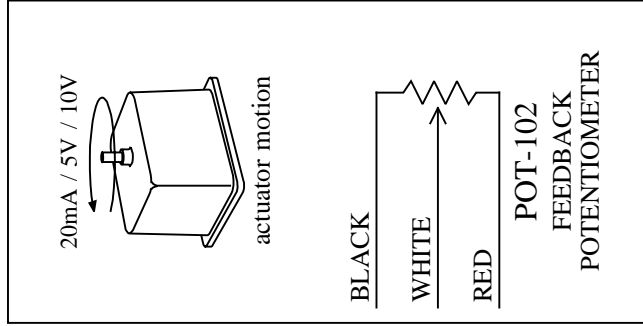
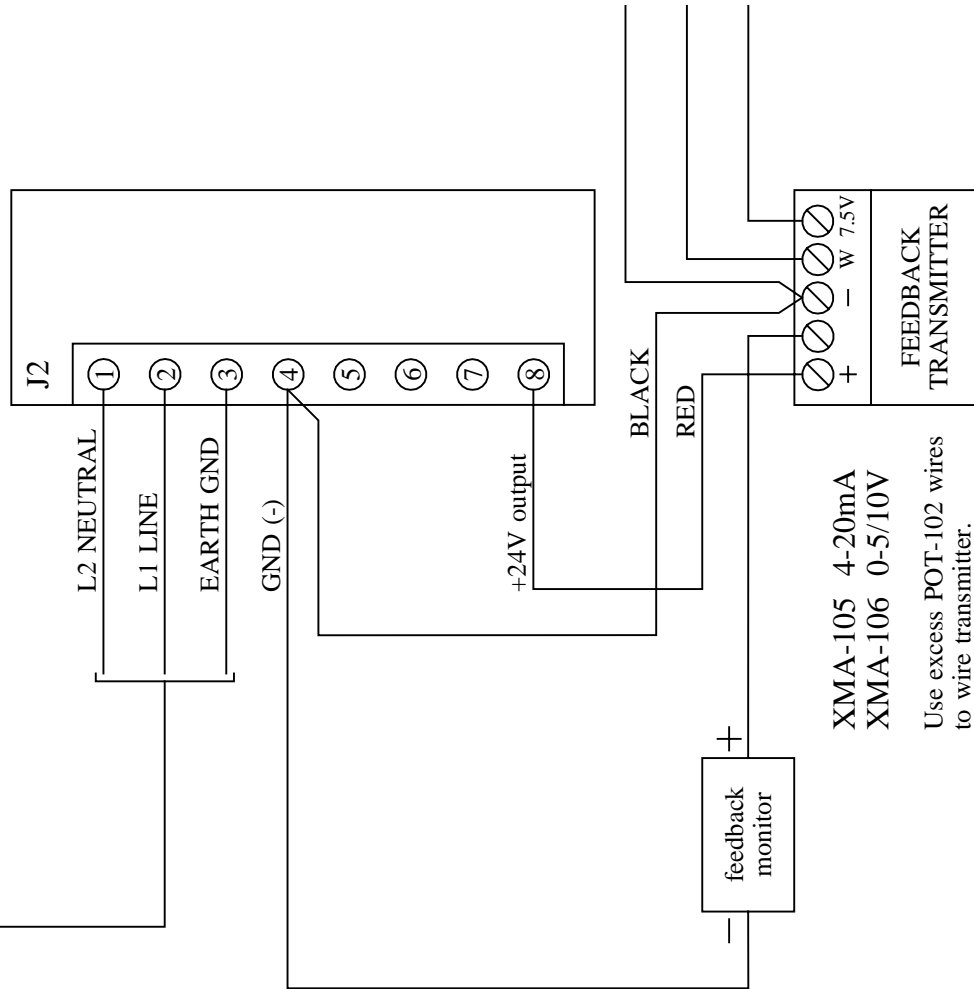
REVERSE ACTING

FEEDBACK TRANSMITTERS (powered)

WIRING DIAGRAM

Bray S70-008, -012, -020, -030, -050, -065, -708, -712, -720 Actuators

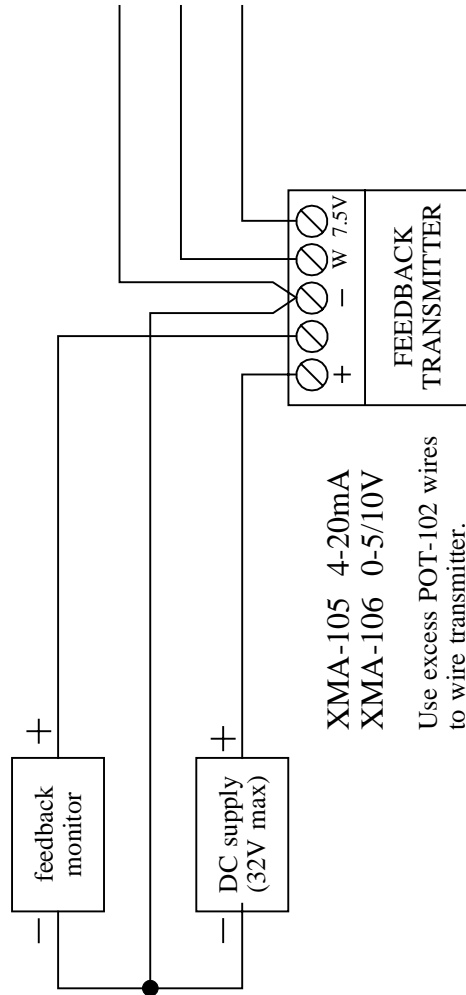
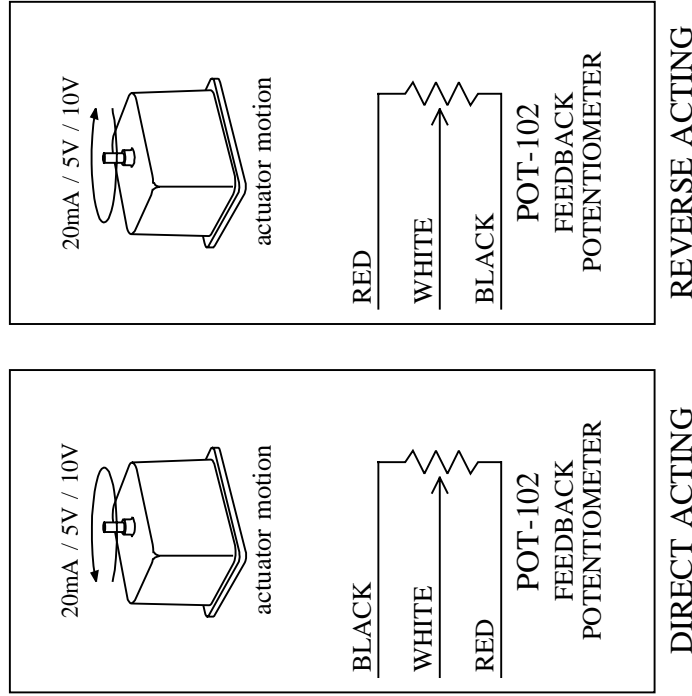
117VAC PWR-102
234VAC PWR-102A



FEEDBACK TRANSMITTERS (externally powered)

WIRING DIAGRAM

Bray S70-008, -012, -020, -030, -050, -065, -708, -712, -720 Actuators



FEEDBACK TRANSMITTER (loop powered)

WIRING DIAGRAM

Bray S70-008, -012, -020, -030, -050, -065, -708, -712, -720 Actuators

