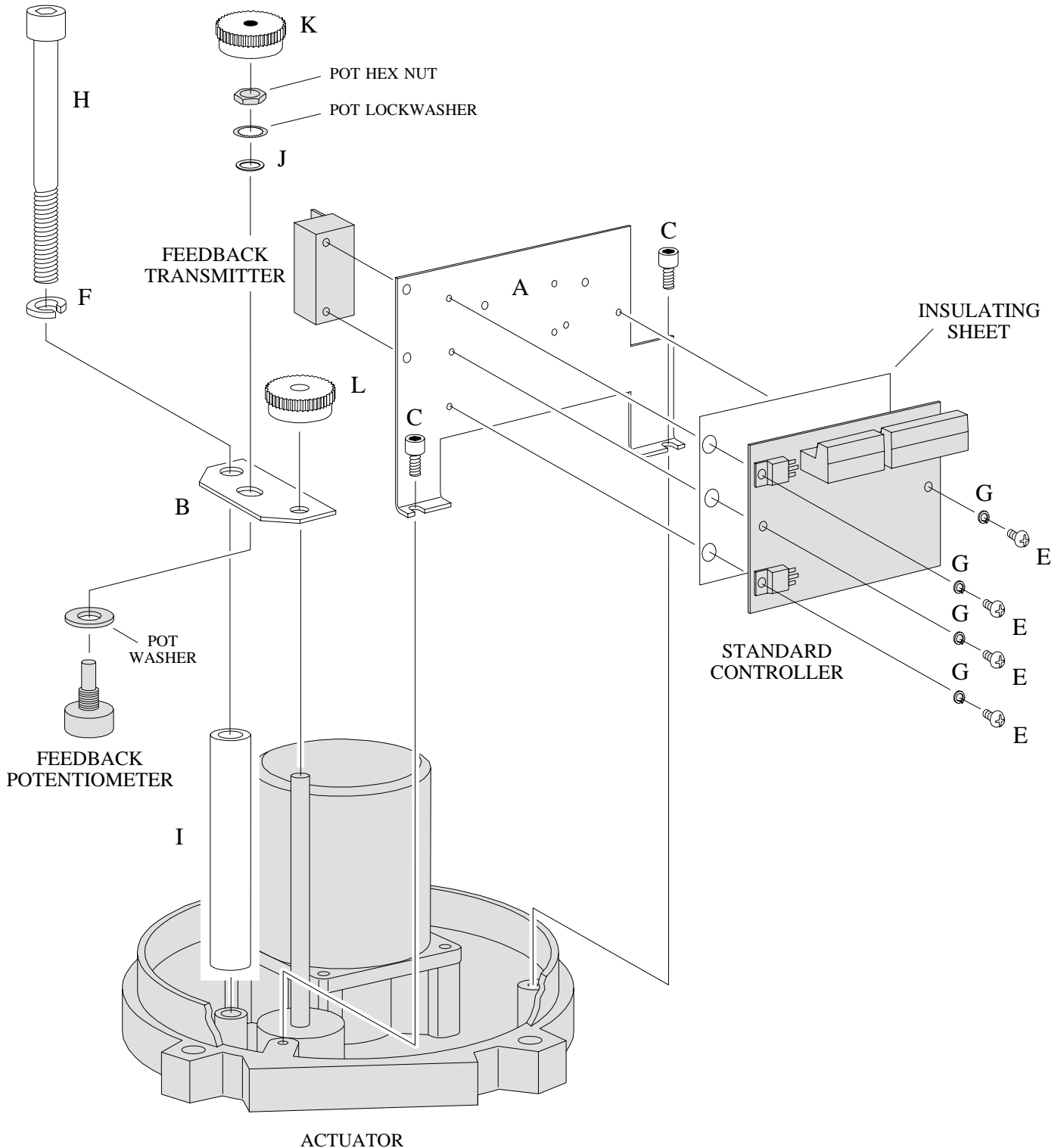


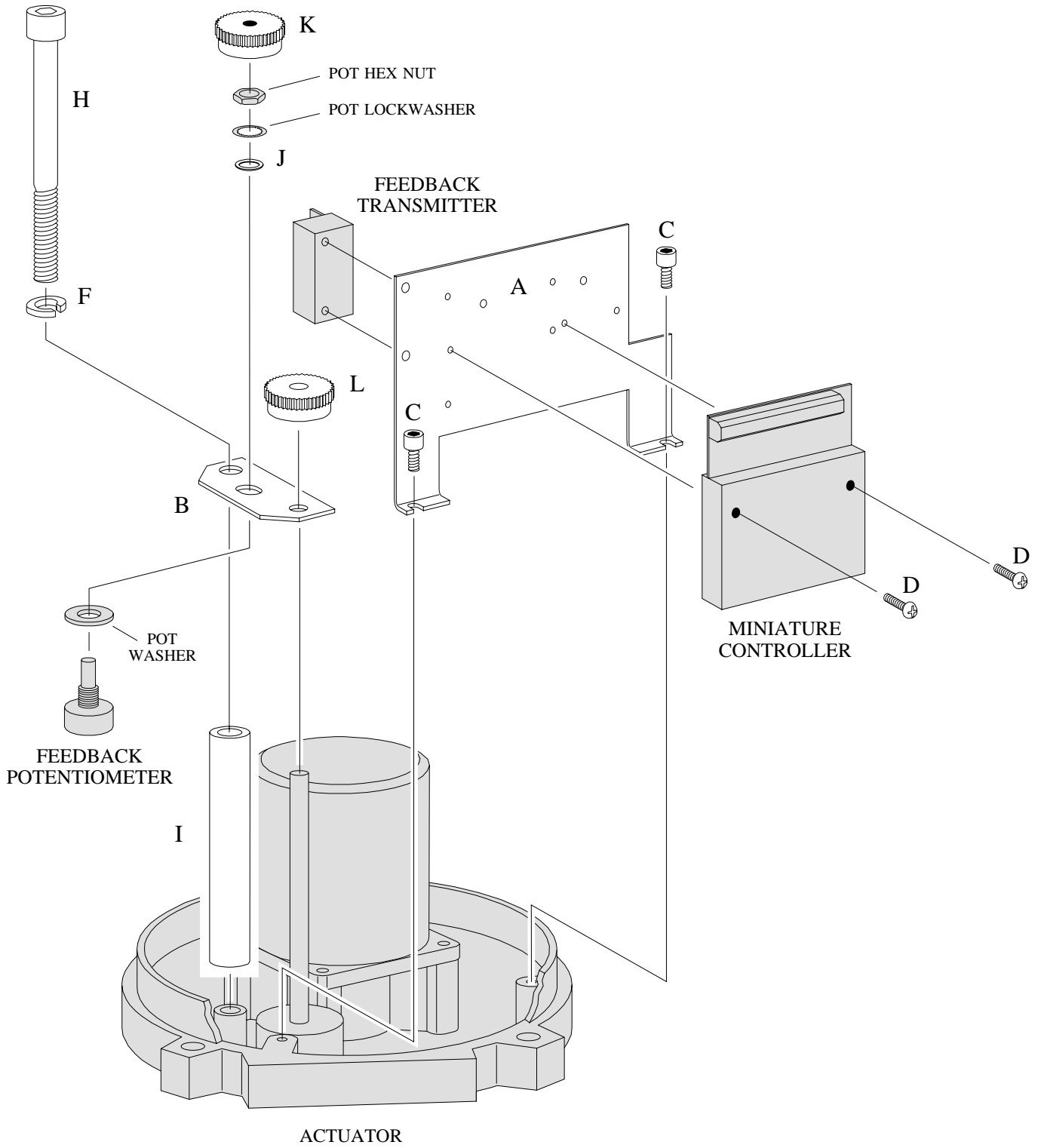
ASSEMBLY DIAGRAM

I-Tork ITQ0160 to ITQ3000 Actuators

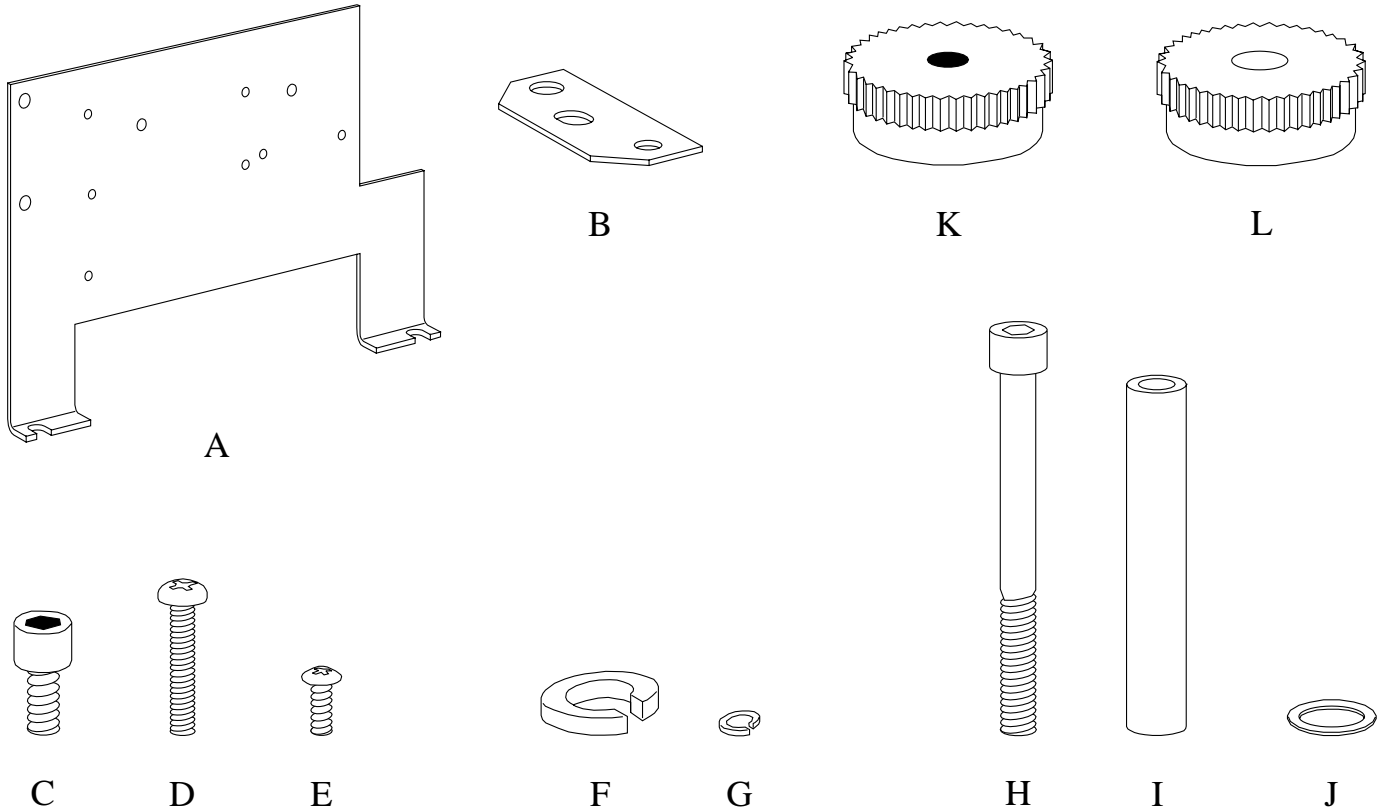


ASSEMBLY DIAGRAM

I-Tork ITQ0160 to ITQ3000 Actuators



KIT CONTENTS

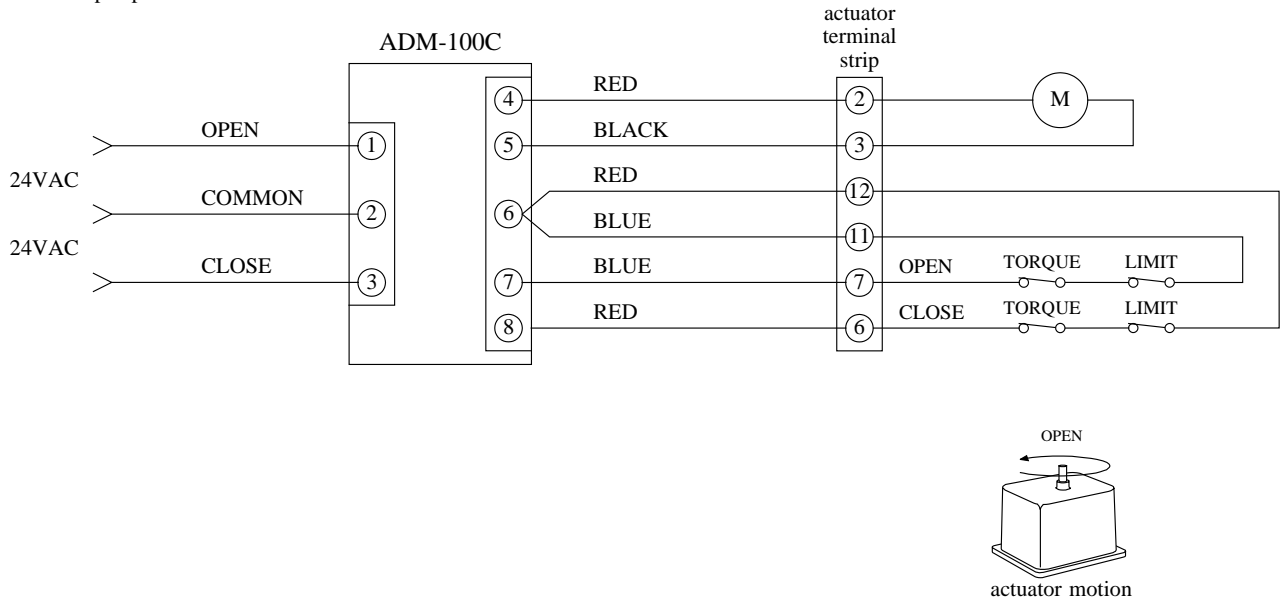


ITEM	QTY	DESCRIPTION
A	1	positioner bracket
B	1	potentiometer bracket
C	2	5mm/0.8mm X 10mm socket head cap screw
D	2	#6-32 X 0.75" pan head screw
E	4	#6-32 X 0.375" pan head screw
F	1	10mm split ring lockwasher
G	4	#6 split ring lockwasher
H	1	10mm/1.5mm X 110mm socket head cap screw
I	1	3.69" round spacer
J	1	potentiometer anti-slip washer
K	1	potentiometer gear
L	1	output shaft gear
not shown	4	12" red wire
not shown	2	12" blue wire
not shown	1	12" white wire
not shown	2	12" black wire
not shown	4	6.3" nylon tie wrap

AC to DC MODULE

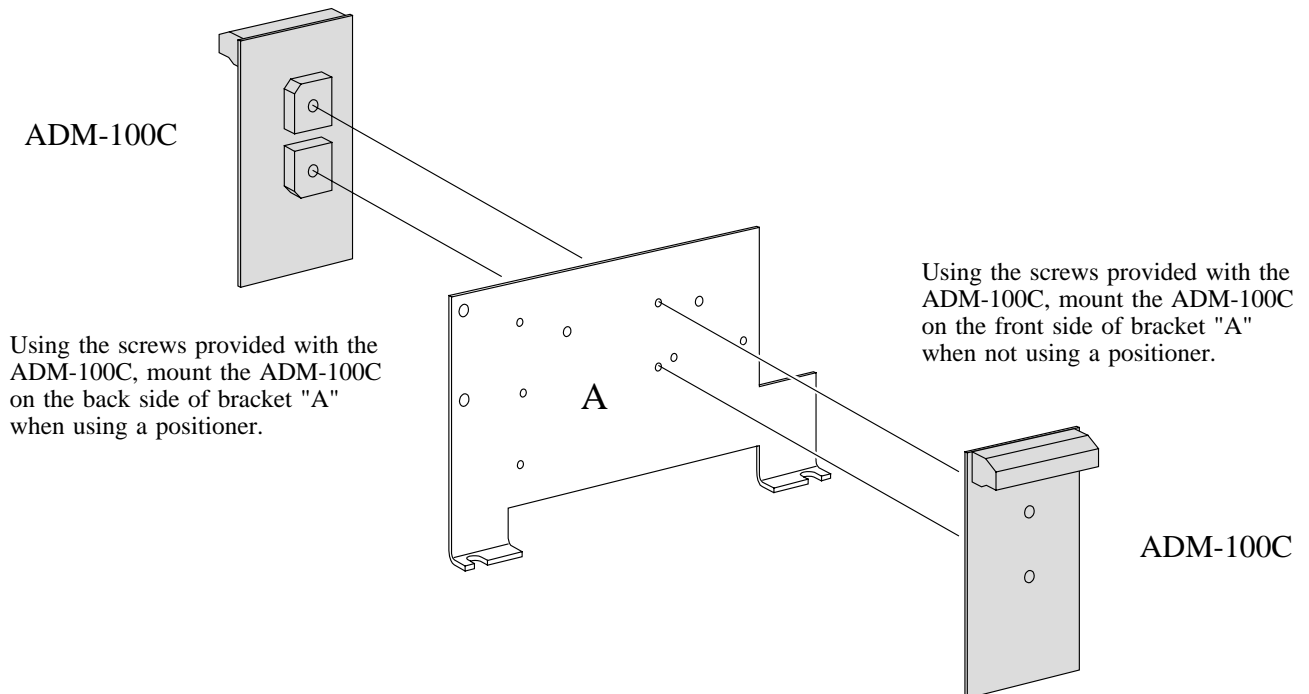
Wiring Diagram for I-Tork actuators
ITQ0160, 0240, 0350

The ADM-100C AC to DC Module allows a 24VDC actuator to be controlled like a 24VAC split-phase motor actuator.



ADM-100C MOUNTING

I-Tork actuators ITQ0160, 0240, 0350

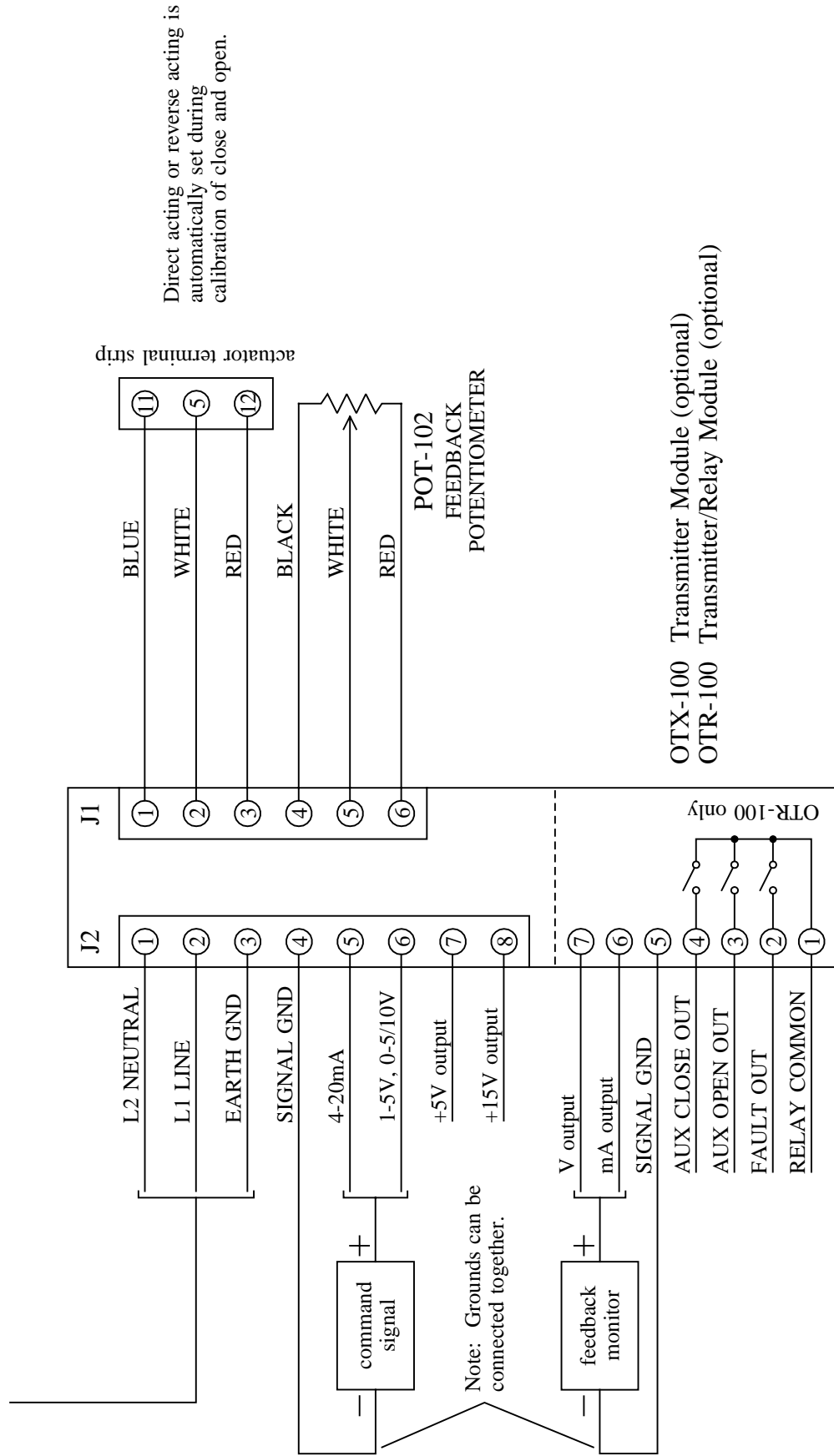


AC DIGITAL POSITIONERS

WIRING DIAGRAM

I-Tork ITQ0160, 0240, 0350, 0500, 0800, 1100, 1500, 2000, 3000 Actuators

117VAC DHC-100
234VAC DHC-100A



OTX-100 Transmitter Module (optional)
OTR-100 Transmitter/Relay Module (optional)

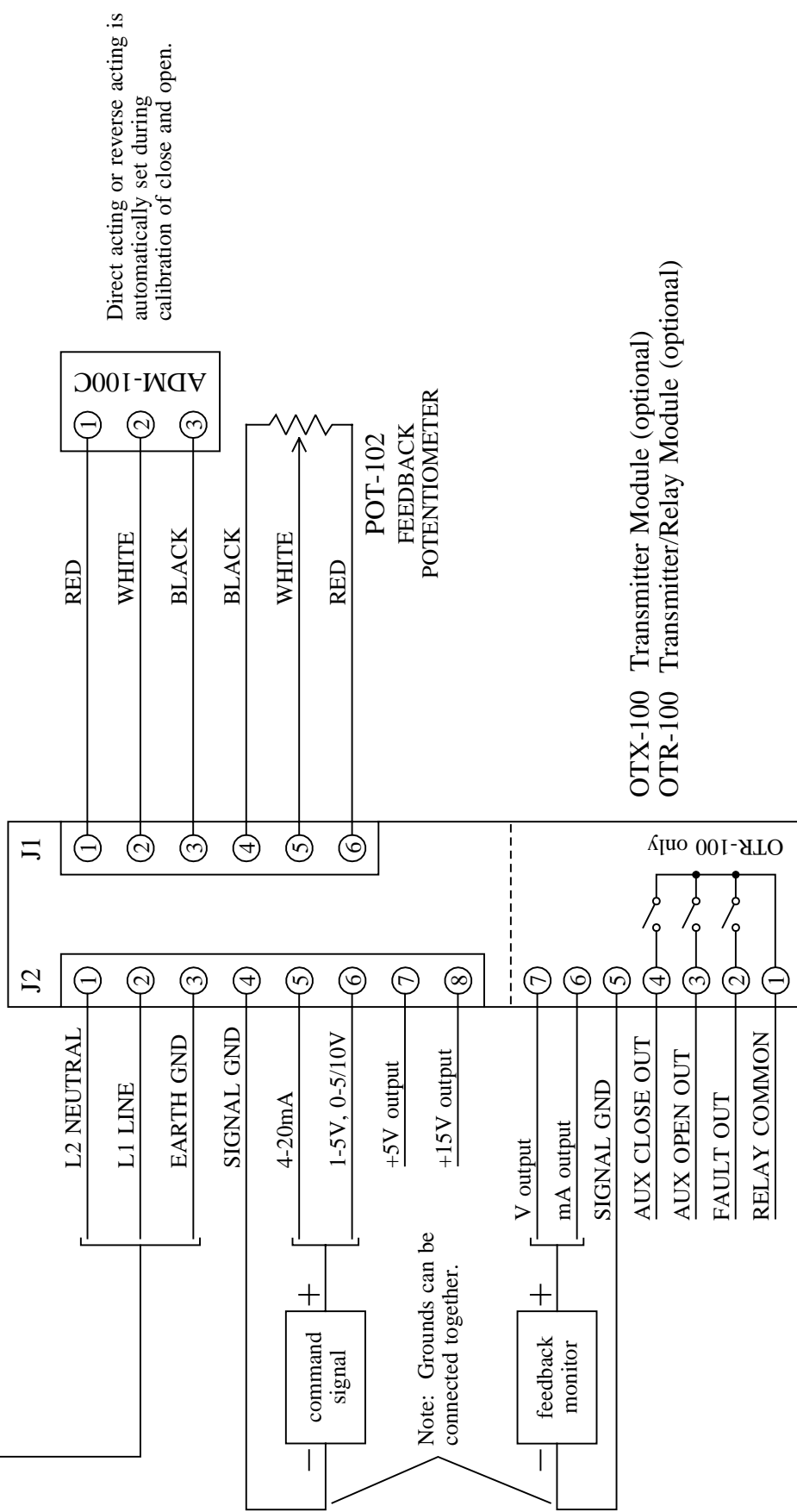
24VAC DIGITAL POSITIONER

WIRING DIAGRAM

I-Tork ITQ0160, 0240, 0350 Actuators

24VAC DHC-100B

NOTE: This application uses a 24VDC actuator with an ADM-100C AC to DC Module installed. See ADM-100C wiring.



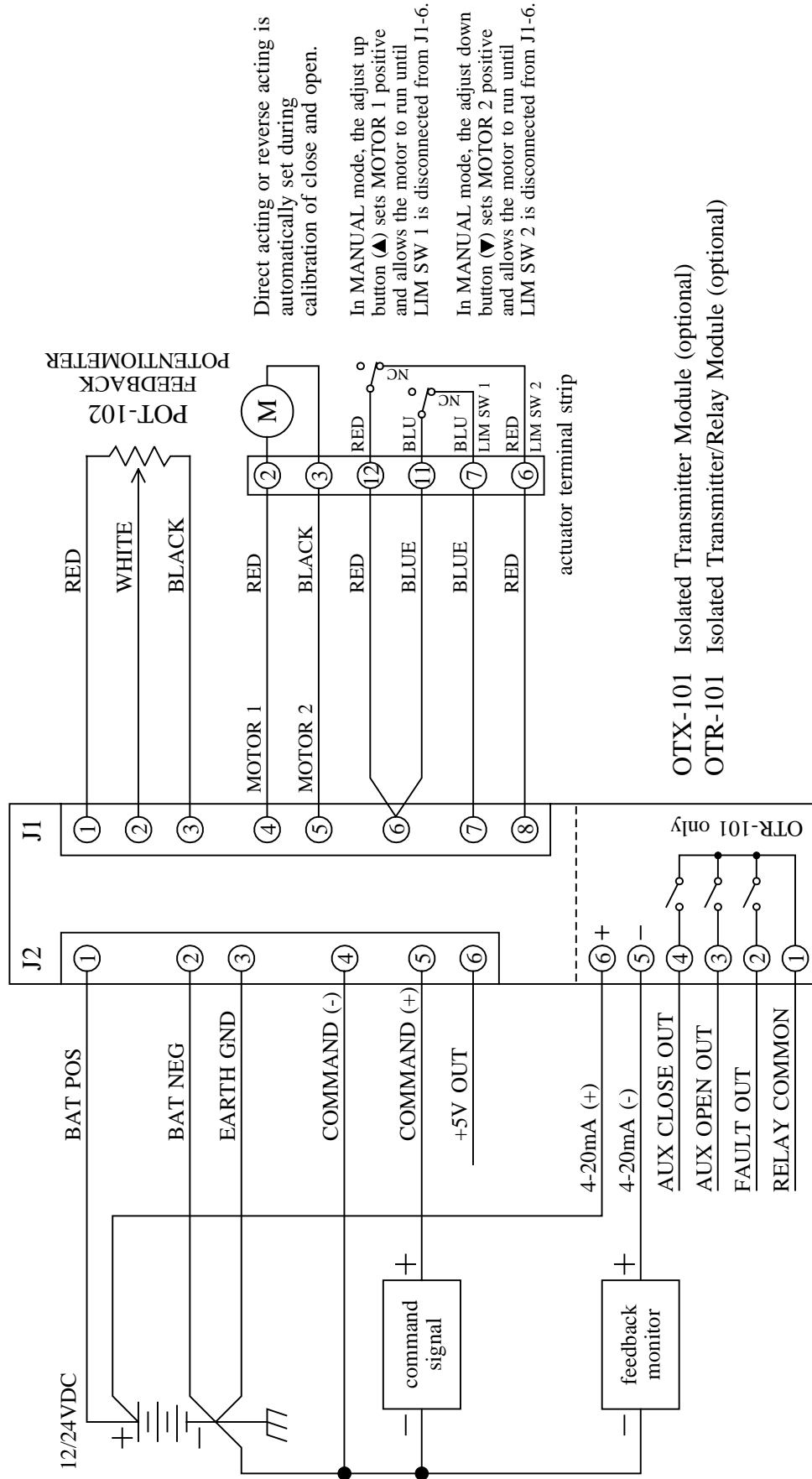
OTX-100 Transmitter Module (optional)
 OTR-100 Transmitter/Relay Module (optional)

DC DIGITAL POSITIONER

WIRING DIAGRAM

I-Tork ITQ0160, 0240, 0350 Actuators

DHC-400



Direct acting or reverse acting is automatically set during calibration of close and open.

In MANUAL mode, the adjust up button (▲) sets MOTOR 1 positive and allows the motor to run until LIM SW 1 is disconnected from J1-6.

In MANUAL mode, the adjust down button (▼) sets MOTOR 2 positive and allows the motor to run until LIM SW 2 is disconnected from J1-6.

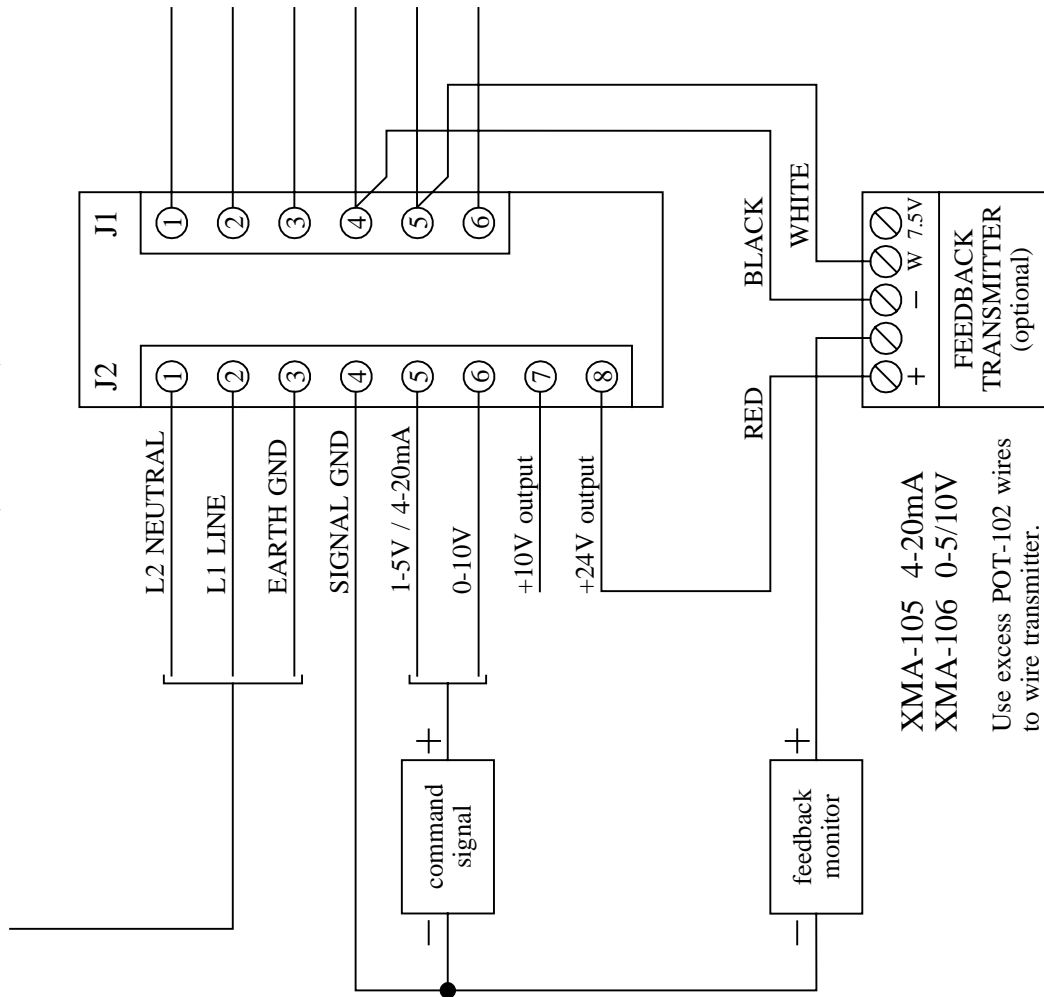
OTX-101 Isolated Transmitter Module (optional)
 OTR-101 Isolated Transmitter/Relay Module (optional)

AC ANALOG / LOG RATE POSITIONERS (standard)

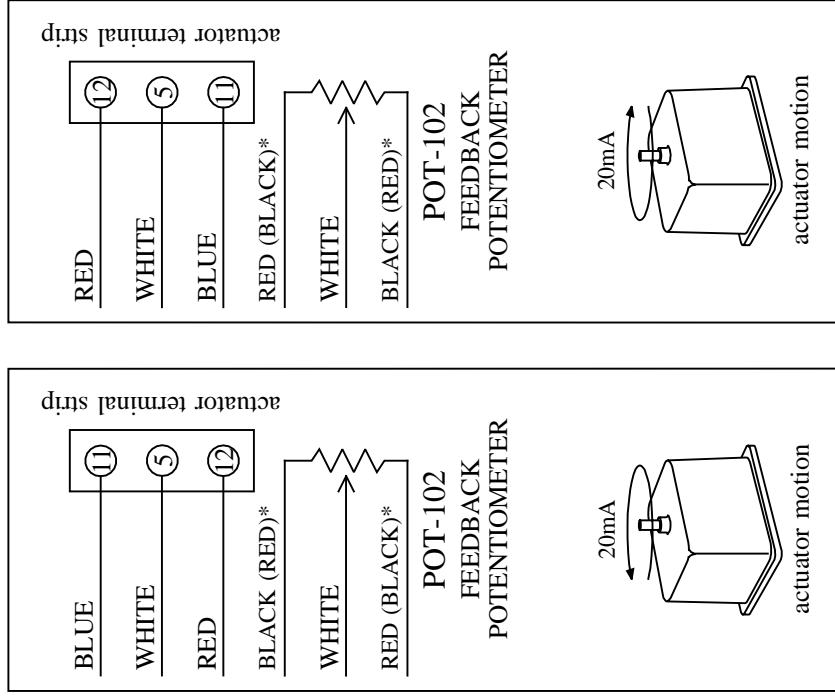
WIRING DIAGRAM

I-Tork ITQ0160, 0240, 0350, 0500, 0800, 1100, 1500, 2000, 3000 Actuators

117VAC AMC-101A / LRC-101G (LRC-101A)*
 234VAC AMC-101C / LRC-101H (LRC-101B)*



XMA-105 4-20mA
 XMA-106 0-5/10V
 Use excess POT-102 wires to wire transmitter.



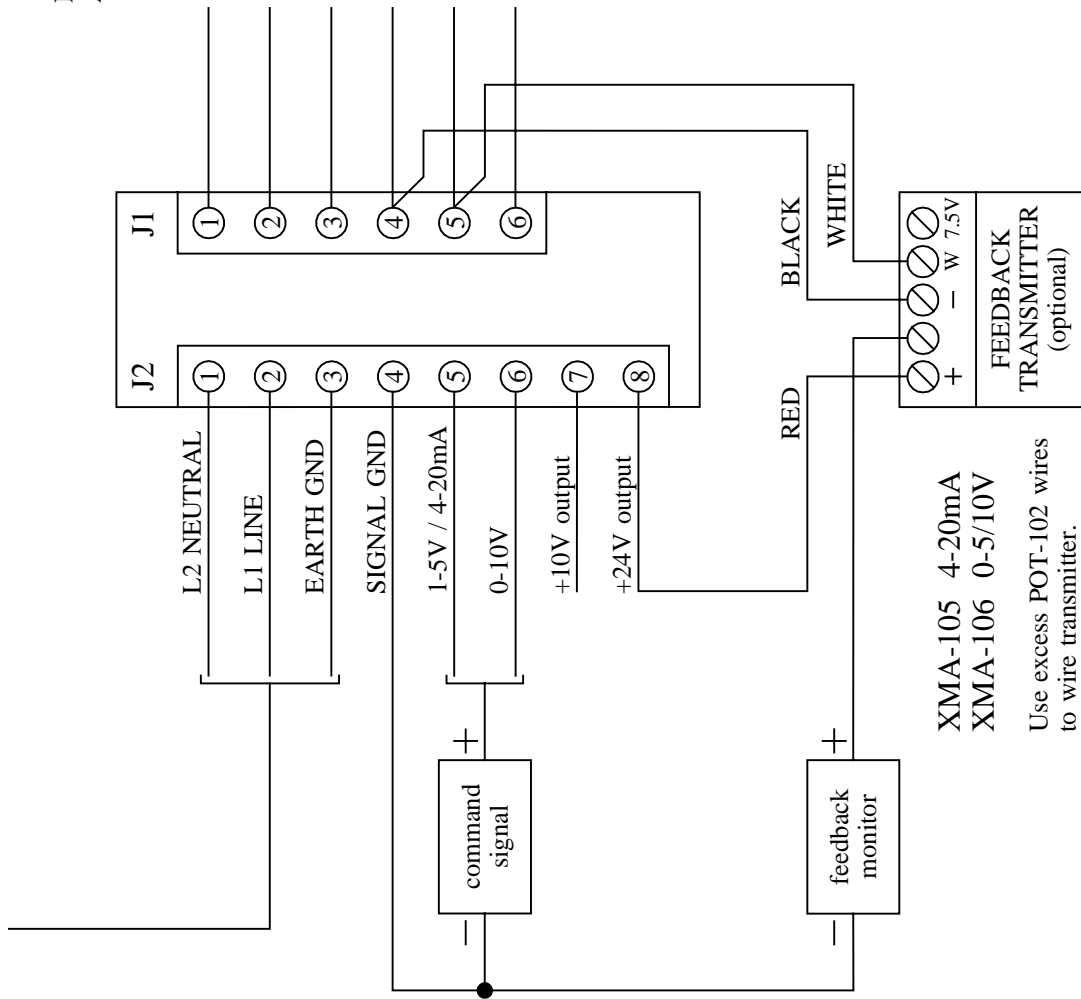
* Note, items shown in parenthesis () pertain to ITQ1500, 2000, and 3000 only.

24VAC ANALOG / LOG RATE POSITIONERS (standard)

WIRING DIAGRAM

I-Tork ITQ0160, 0240, 0350 Actuators

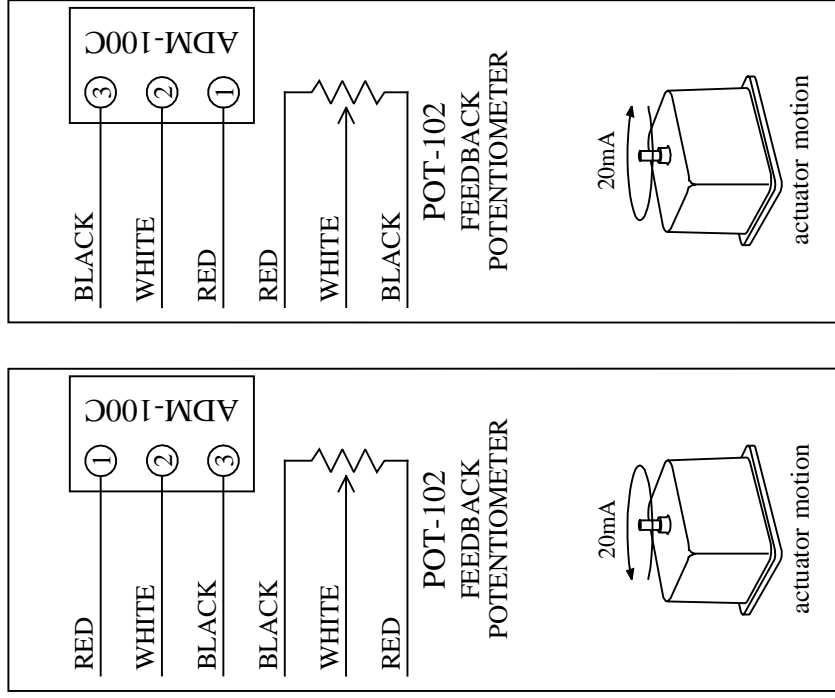
24VAC AMC-101E / LRC-101C / LRC-101I



XMA-105 4-20mA
XMA-106 0-5/10V

Use excess POT-102 wires to wire transmitter.

NOTE: This application uses a 24VDC actuator with an ADM-100C AC to DC Module installed. See ADM-100C wiring.



REVERSE ACTING

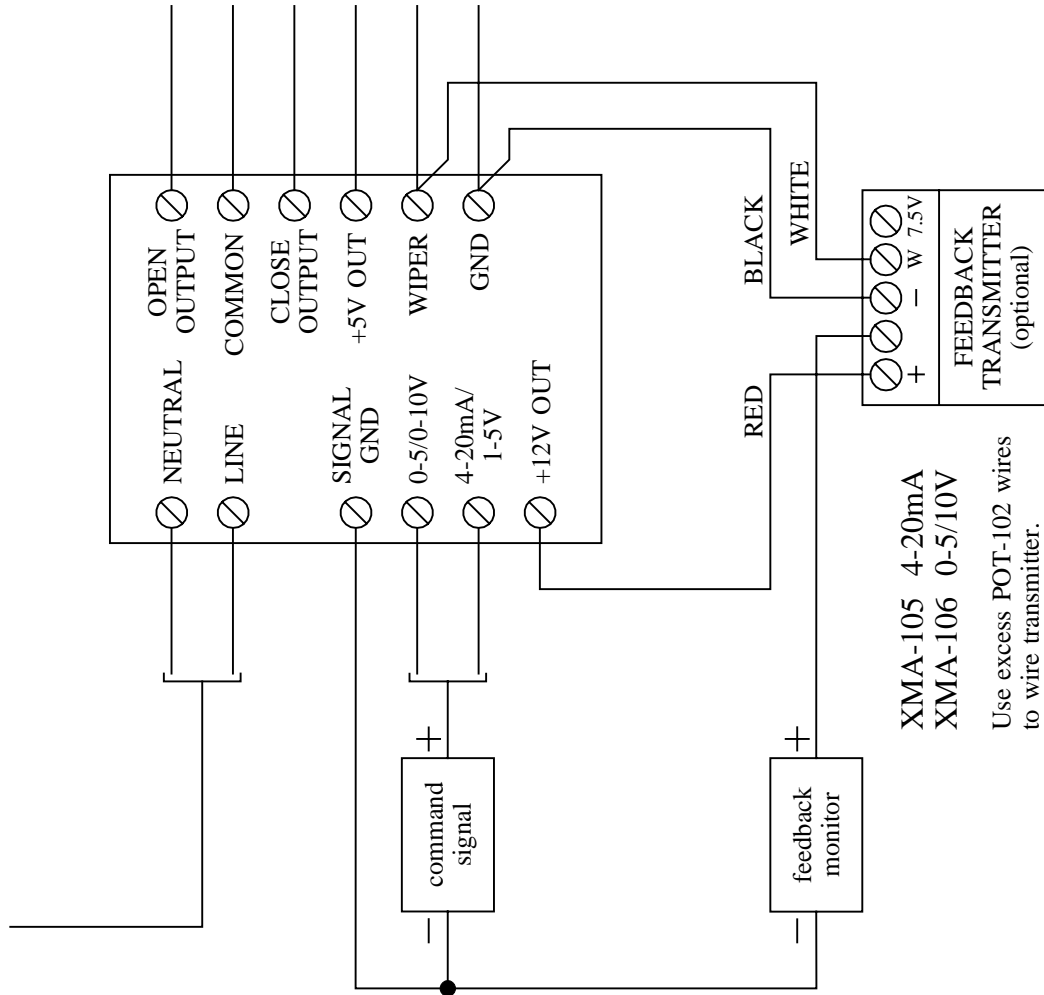
DIRECT ACTING

AC ANALOG POSITIONERS (miniature)

WIRING DIAGRAM

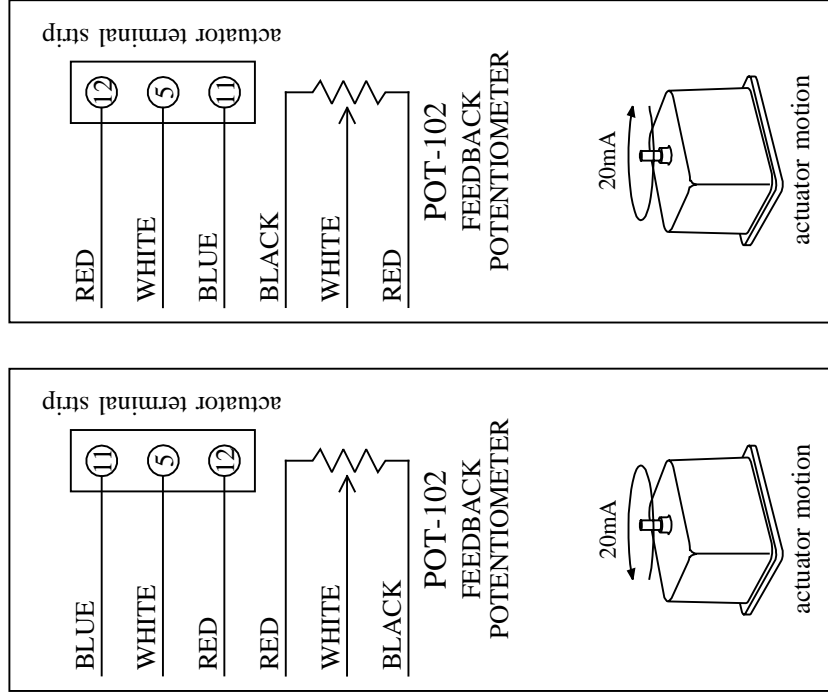
I-Tork ITQ0160, 0240, 0350 Actuators

117VAC AMC-103
234VAC AMC-103A



XMA-105 4-20mA
XMA-106 0-5/10V

Use excess POT-102 wires to wire transmitter.

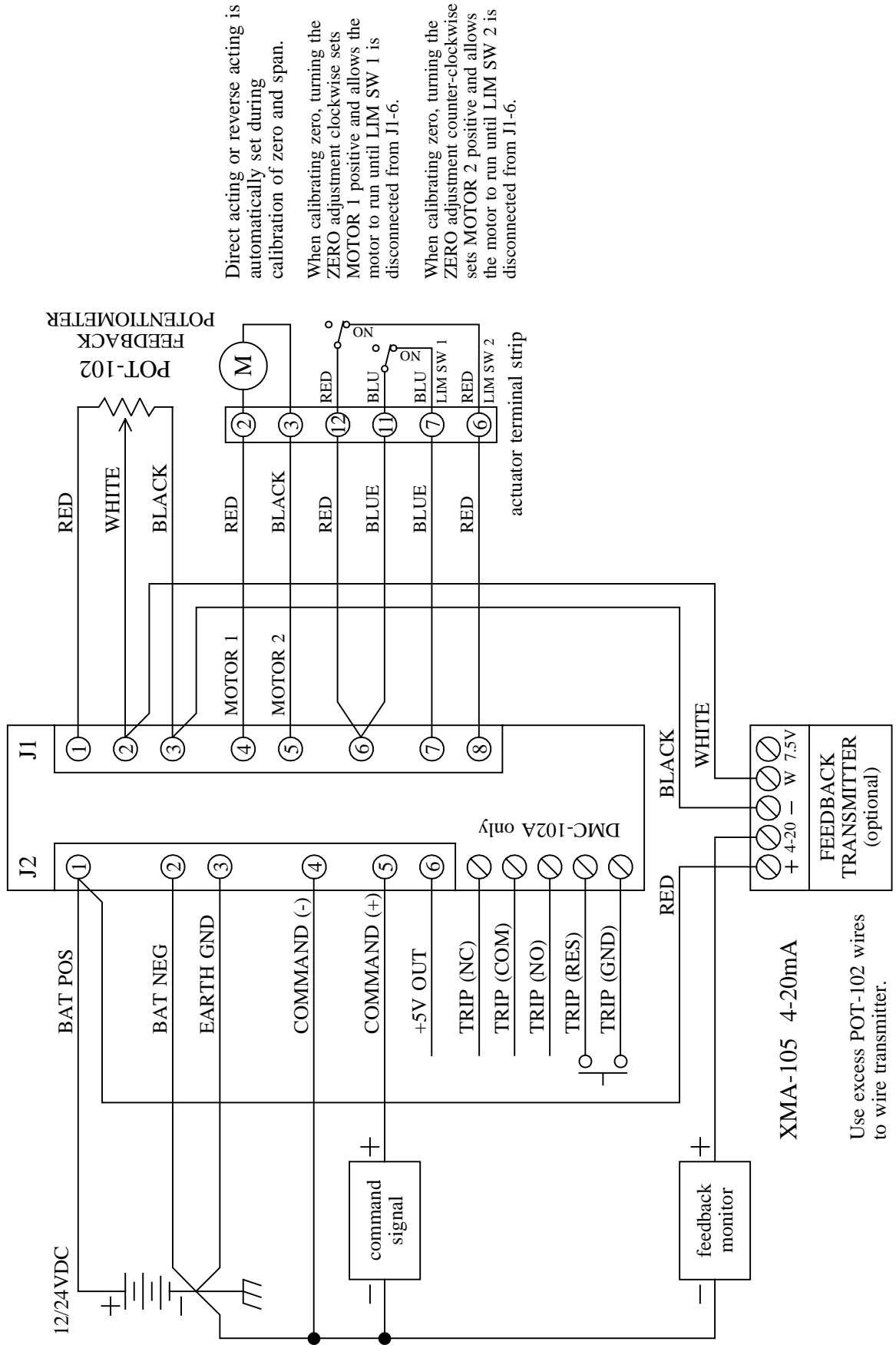


DC ANALOG POSITIONERS

WIRING DIAGRAM

I-Tork ITQ0160, 0240, 0350 Actuators

DMC-102 / DMC-102A



Direct acting or reverse acting is automatically set during calibration of zero and span.

When calibrating zero, turning the ZERO adjustment clockwise sets MOTOR 1 positive and allows the motor to run until LIM SW 1 is disconnected from J1-6.

When calibrating zero, turning the ZERO adjustment counter-clockwise sets MOTOR 2 positive and allows the motor to run until LIM SW 2 is disconnected from J1-6.

XMA-105 4-20mA

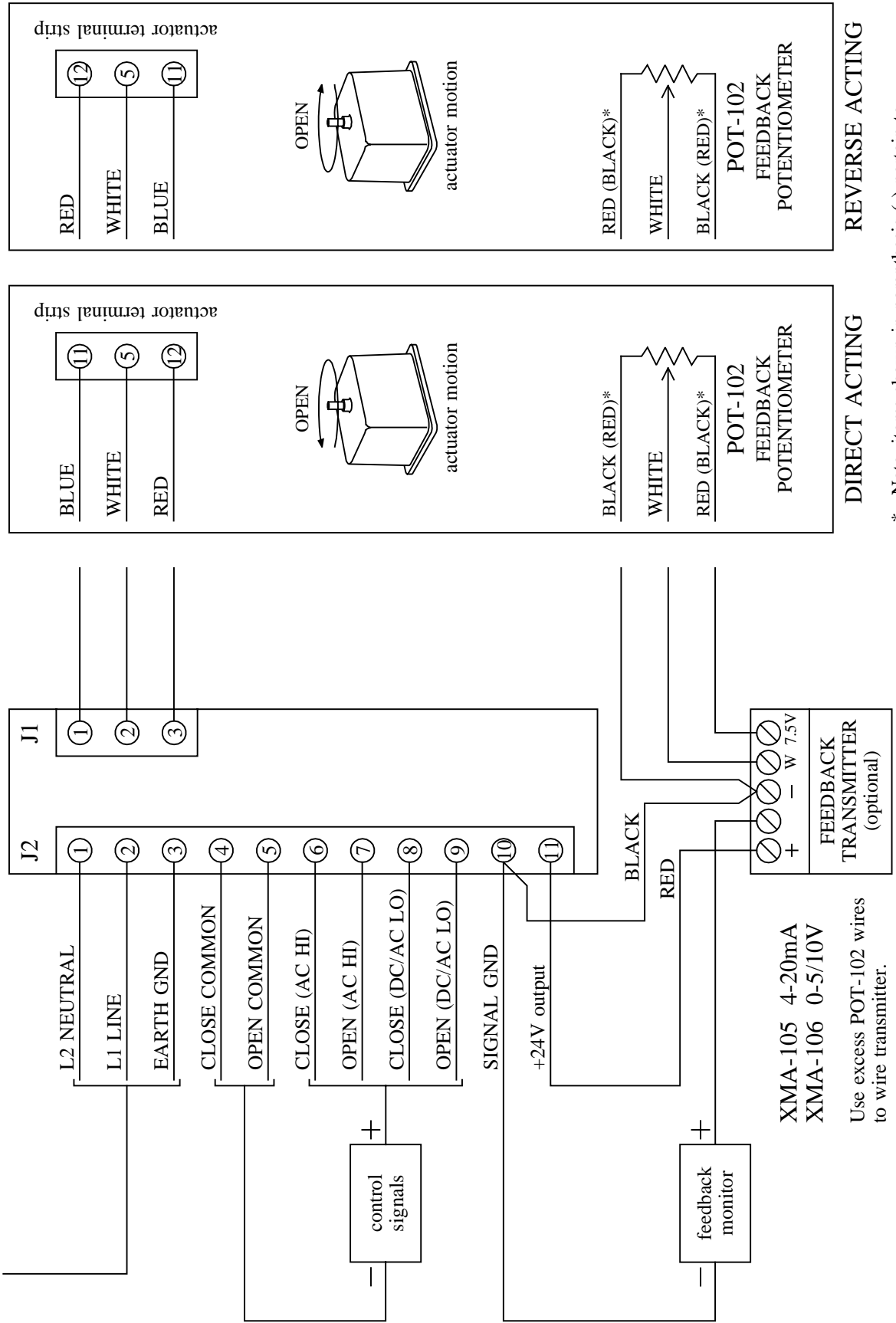
Use excess POT-102 wires to wire transmitter.

AC ON/OFF CONTROLLERS

WIRING DIAGRAM

I-Tork ITQ0160, 0240, 0350, 0500, 0800, 1100, 1500, 2000, 3000 Actuators

117VAC AMI-103
234VAC AMI-103A



* Note, items shown in parenthesis () pertain to ITQ1500, 2000, and 3000 only.

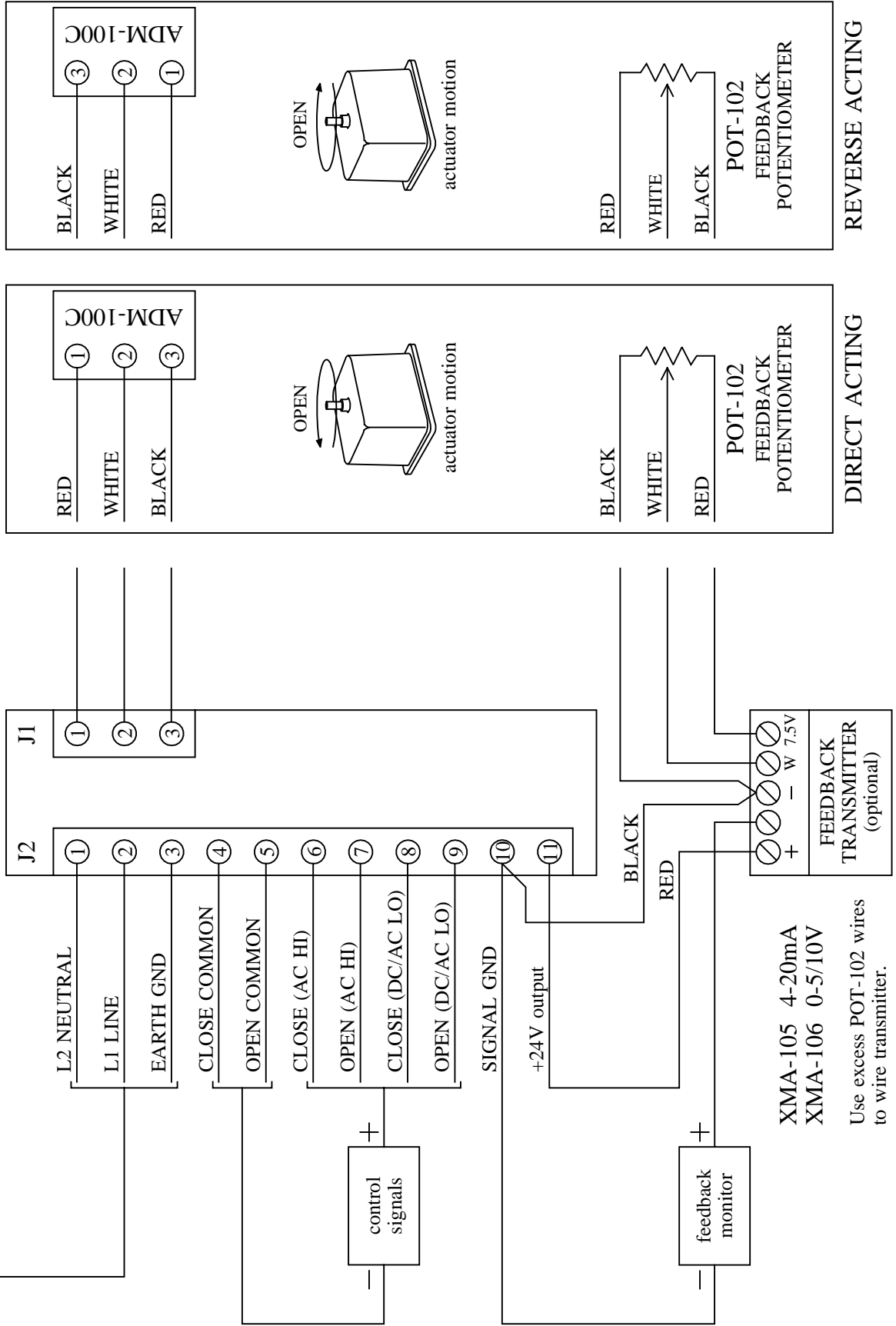
24VAC ON/OFF CONTROLLER

WIRING DIAGRAM

I-Tork ITQ0160, 0240, 0350 Actuators

24VAC AMI-103B

NOTE: This application uses a 24VDC actuator with an ADM-100C AC to DC Module installed. See ADM-100C wiring.



XMA-105 4-20mA
 XMA-106 0-5/10V
 Use excess POT-102 wires to wire transmitter.