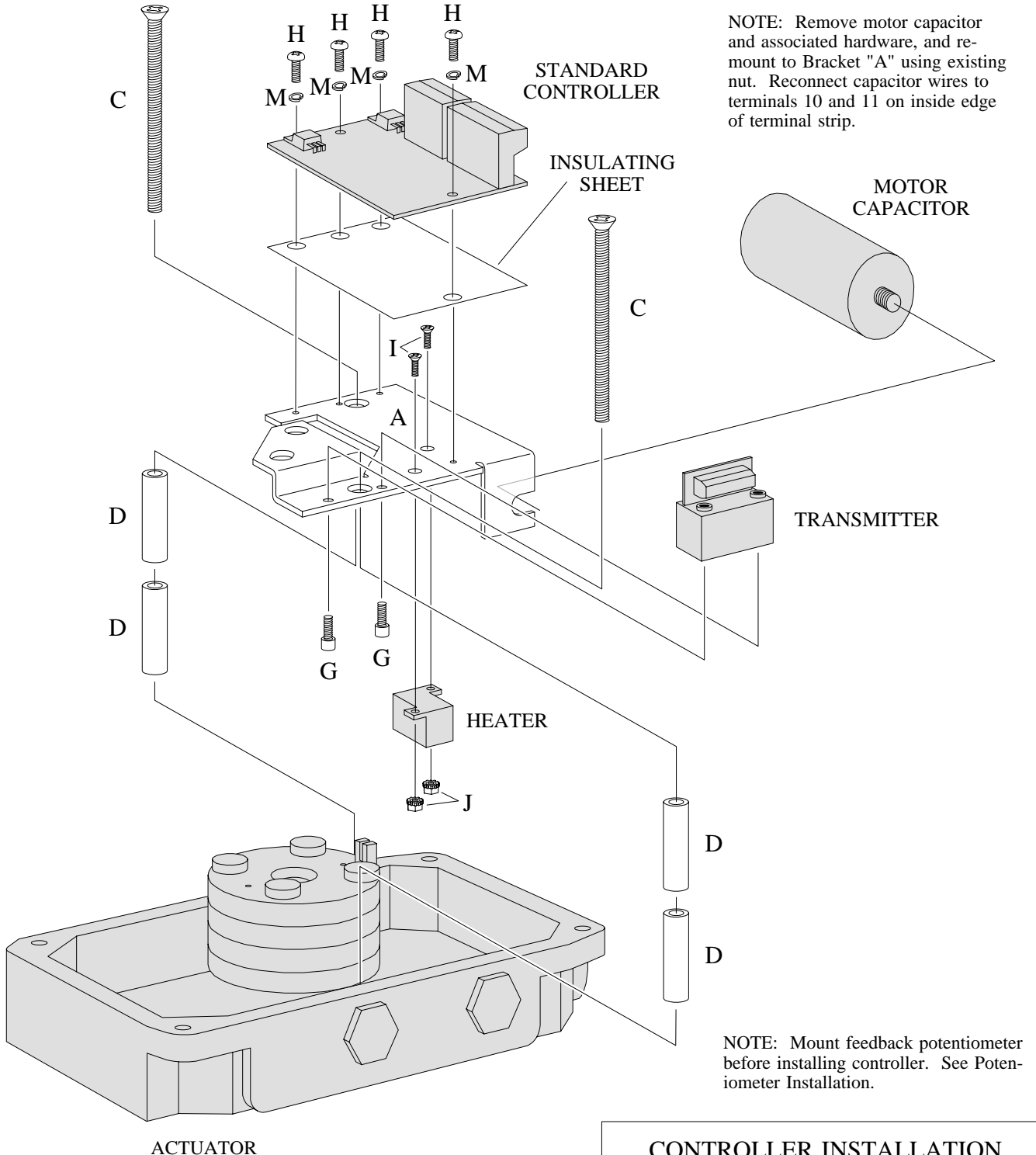


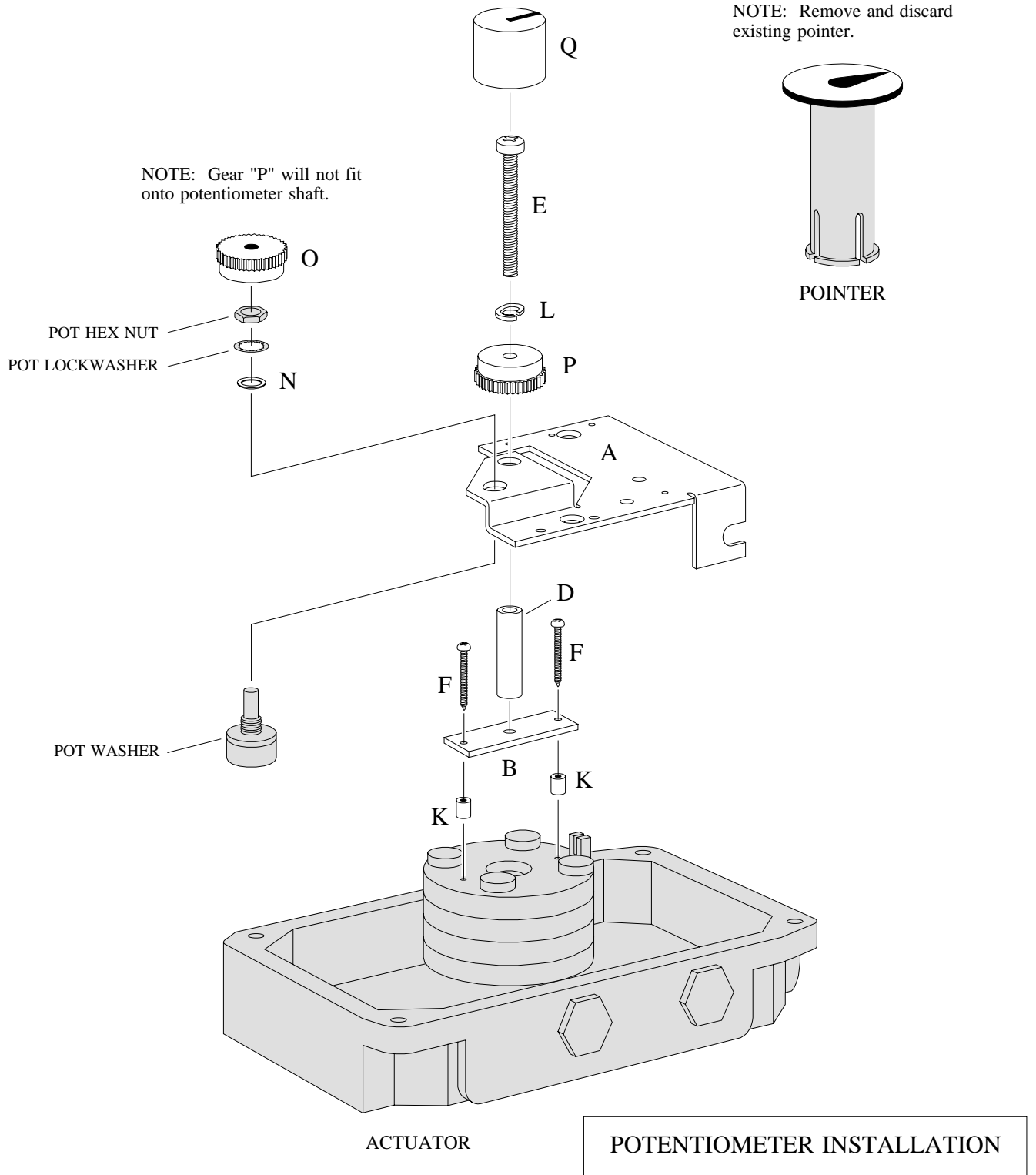
### ASSEMBLY DIAGRAM

Bernard AT25, 50 Actuators

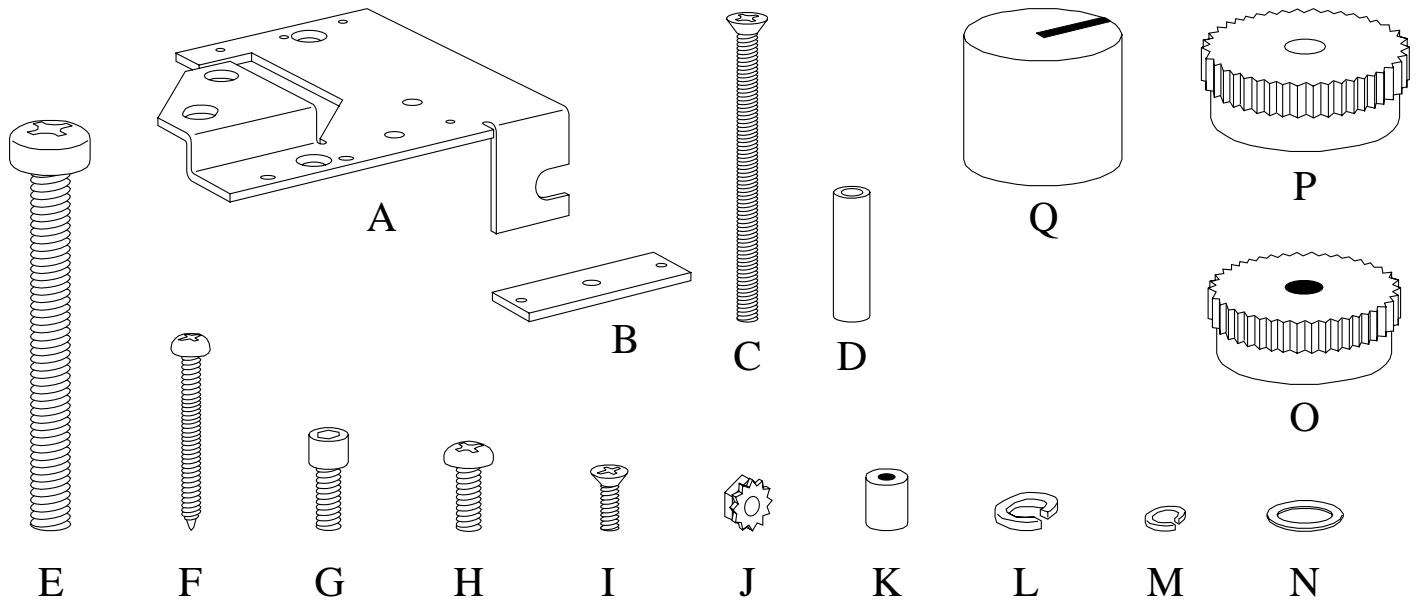


ASSEMBLY DIAGRAM

Bernard AT25, 50 Actuators



## KIT CONTENTS



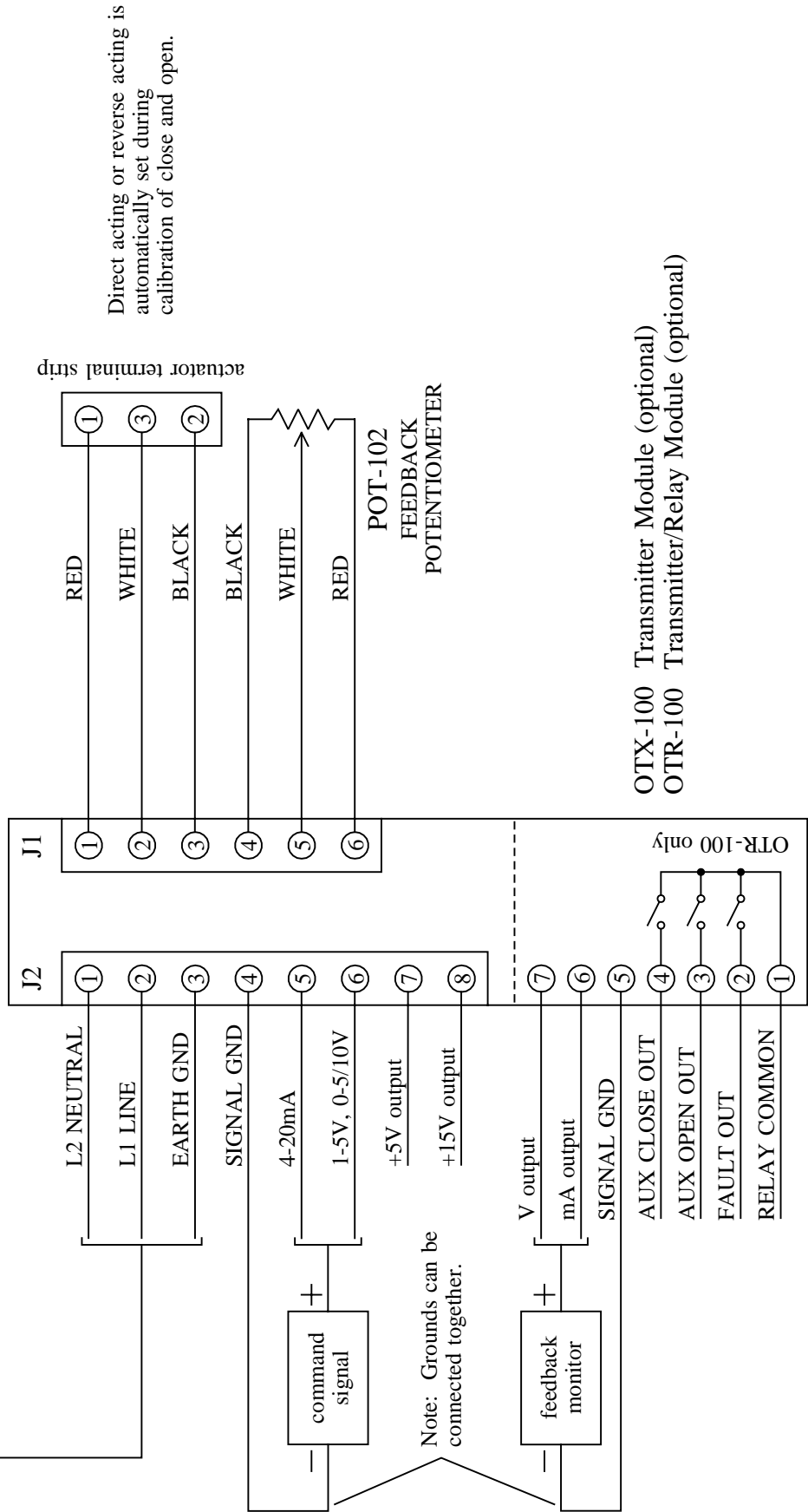
ITEM	QTY	DESCRIPTION
A	1	positioner bracket
B	1	cam bracket
C	2	6mm/1mm X 80mm flat head screw
D	5	34mm steel spacer
E	1	6mm/1mm X 50mm pan head screw
F	2	#4 X 1" sheet metal screw
G	2	#6-32 X 0.375" socket head screw
H	4	#6-32 X 0.375" pan head screw
I	2	#4-40 X 0.312" flat head screw
J	2	#4-40 keps hex nut
K	2	0.25" nylon spacer
L	1	6mm split ring lockwasher
M	4	#6 split ring lockwasher
N	1	potentiometer anti-slip washer
O	1	potentiometer gear
P	1	output shaft gear
Q	1	replacement pointer
not shown	1	16" white wire
not shown	1	16" black wire
not shown	1	16" red wire
not shown	4	6.3" nylon tie wrap

# AC DIGITAL POSITIONERS

## WIRING DIAGRAM

Bernard AT25, 50 Actuators

117VAC DHC-100  
234VAC DHC-100A



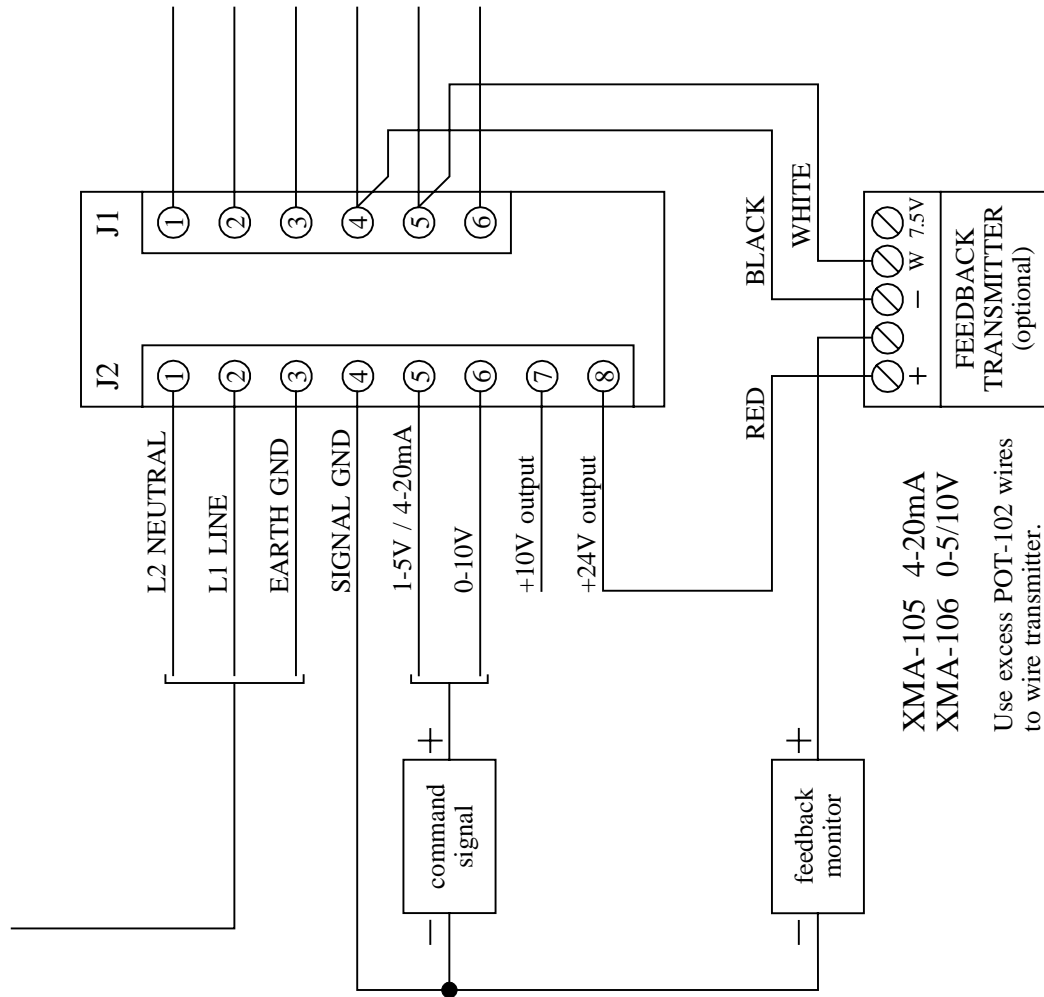
OTX-100 Transmitter Module (optional)  
OTR-100 Transmitter/Relay Module (optional)

# AC ANALOG / LOG RATE POSITIONERS (standard)

## WIRING DIAGRAM

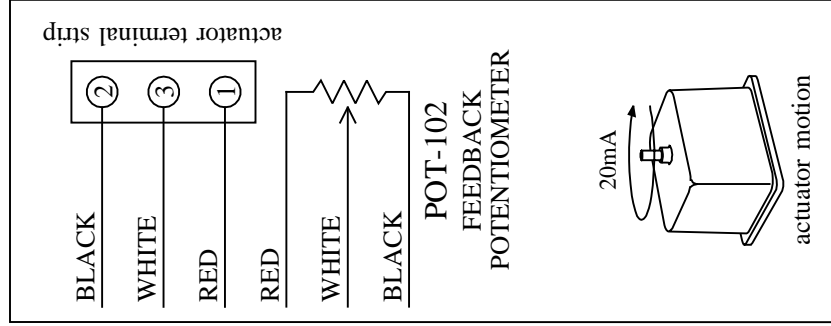
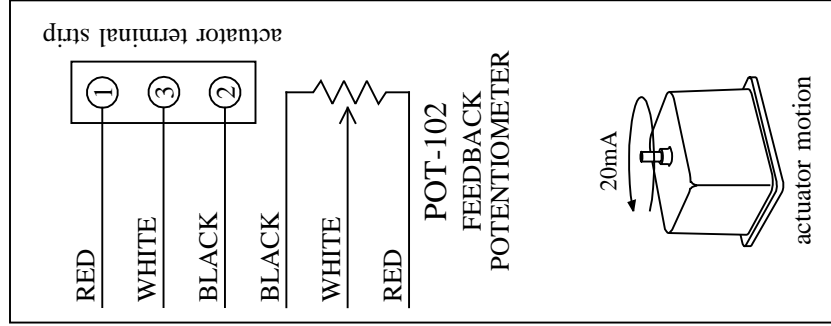
Bernard AT25, 50 Actuators

117VAC AMC-101A / LRC-101A / LRC-101G  
 234VAC AMC-100C / LRC-101B / LRC-101H



XMA-105 4-20mA  
 XMA-106 0-5/10V

Use excess POT-102 wires to wire transmitter.

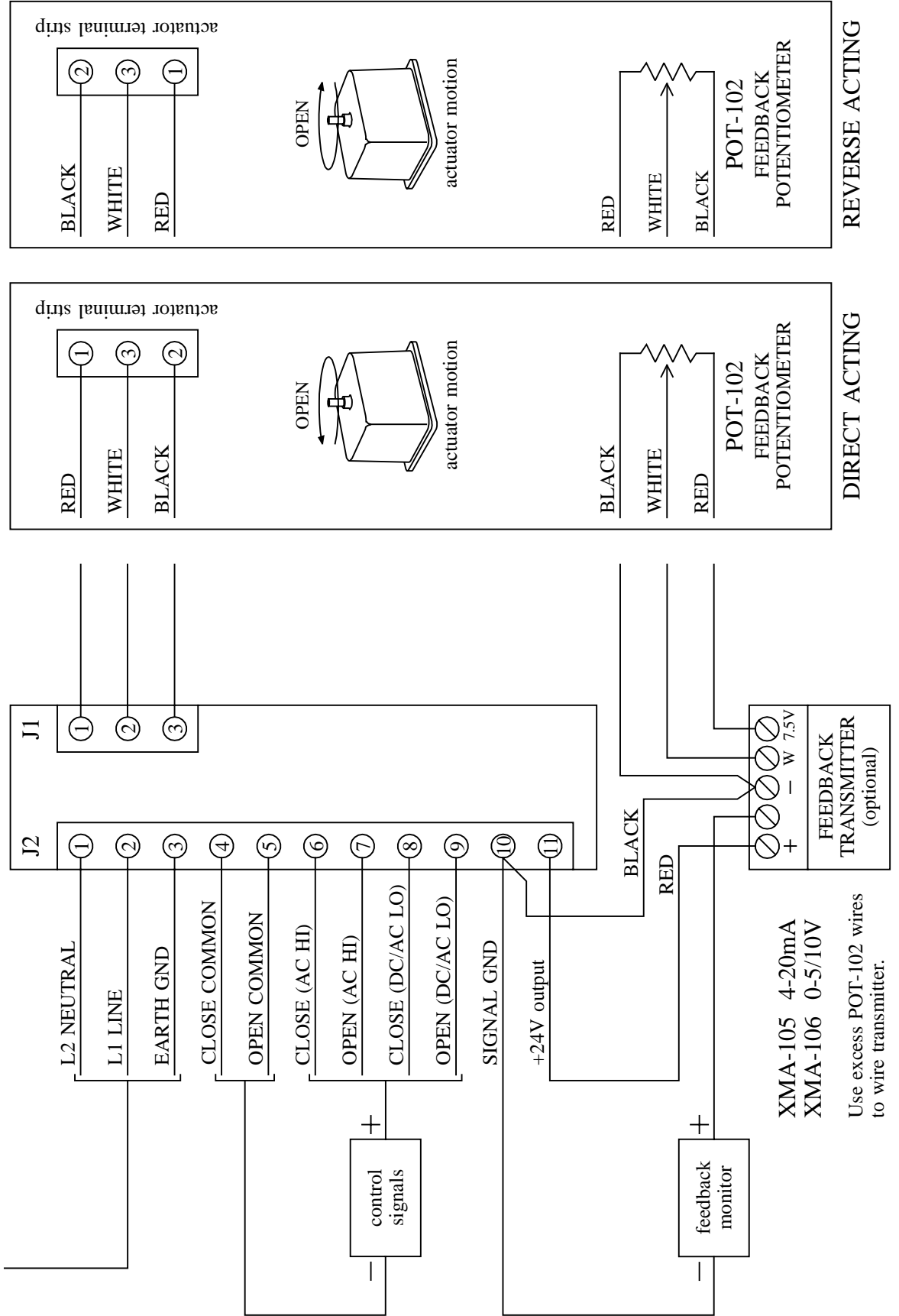


# AC ON/OFF CONTROLLERS

## WIRING DIAGRAM

Bernard AT25, 50 Actuators

117VAC AMI-103  
234VAC AMI-103A



XMA-105 4-20mA  
XMA-106 0-5/10V  
Use excess POT-102 wires to wire transmitter.