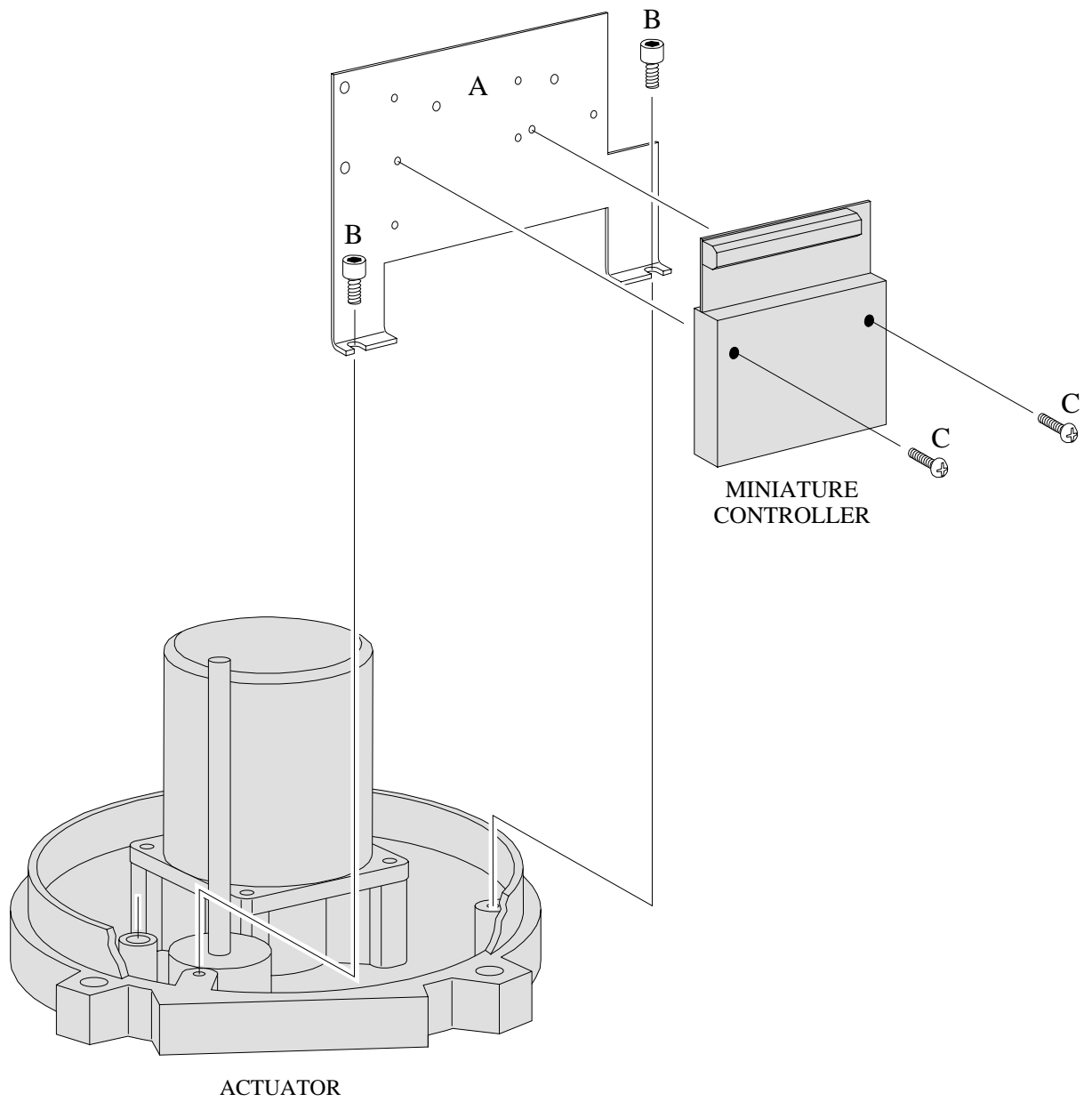
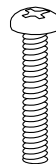
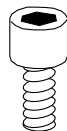
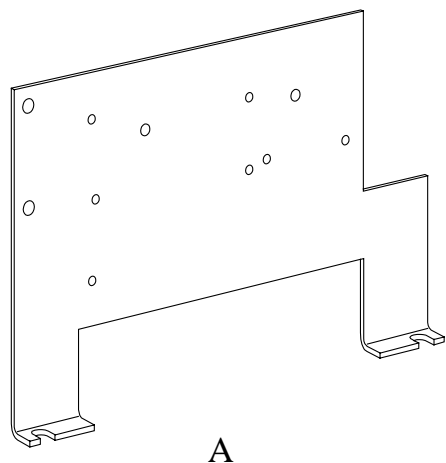


ASSEMBLY DIAGRAM

I-Tork ITQ0160 to ITQ3000 Actuators



KIT CONTENTS

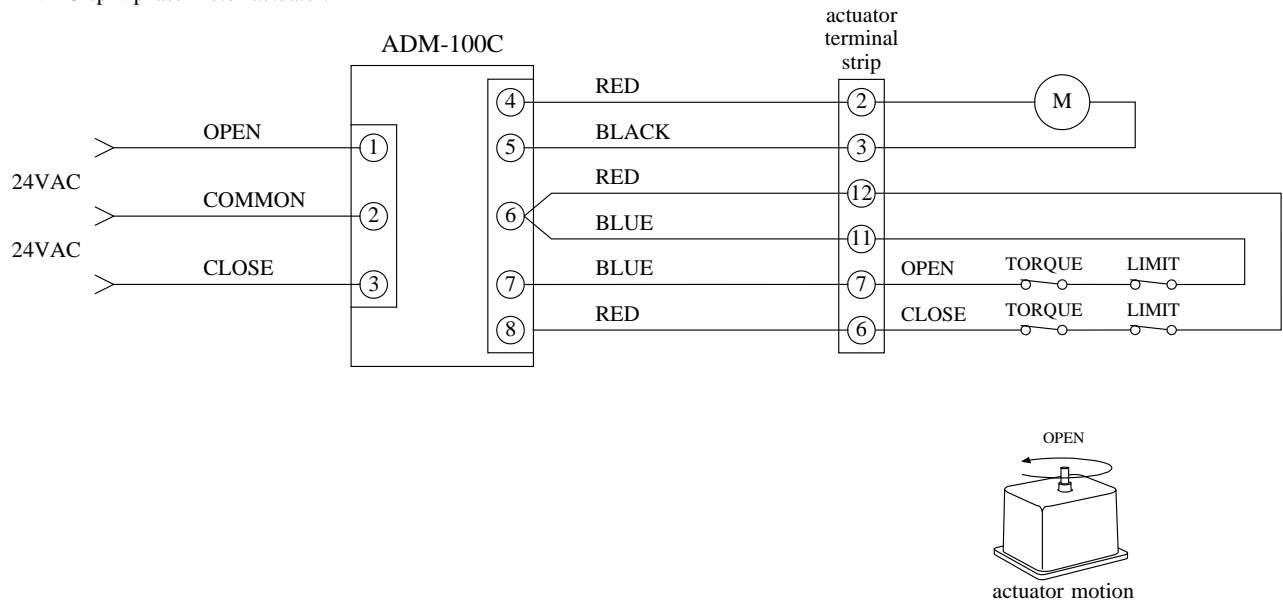


| ITEM | QTY | DESCRIPTION |
|-----------|-----|--|
| A | 1 | positioner bracket |
| B | 2 | 5mm/0.8mm X 10mm socket head cap screw |
| C | 2 | #6-32 X 0.75" pan head screw |
| D | 4 | #6-32 X 0.375" pan head screw |
| E | 4 | #6 split ring lockwasher |
| not shown | 4 | 12" red wire |
| not shown | 2 | 12" blue wire |
| not shown | 1 | 12" white wire |
| not shown | 2 | 12" black wire |
| not shown | 4 | 6.3" nylon tie wrap |

AC to DC MODULE

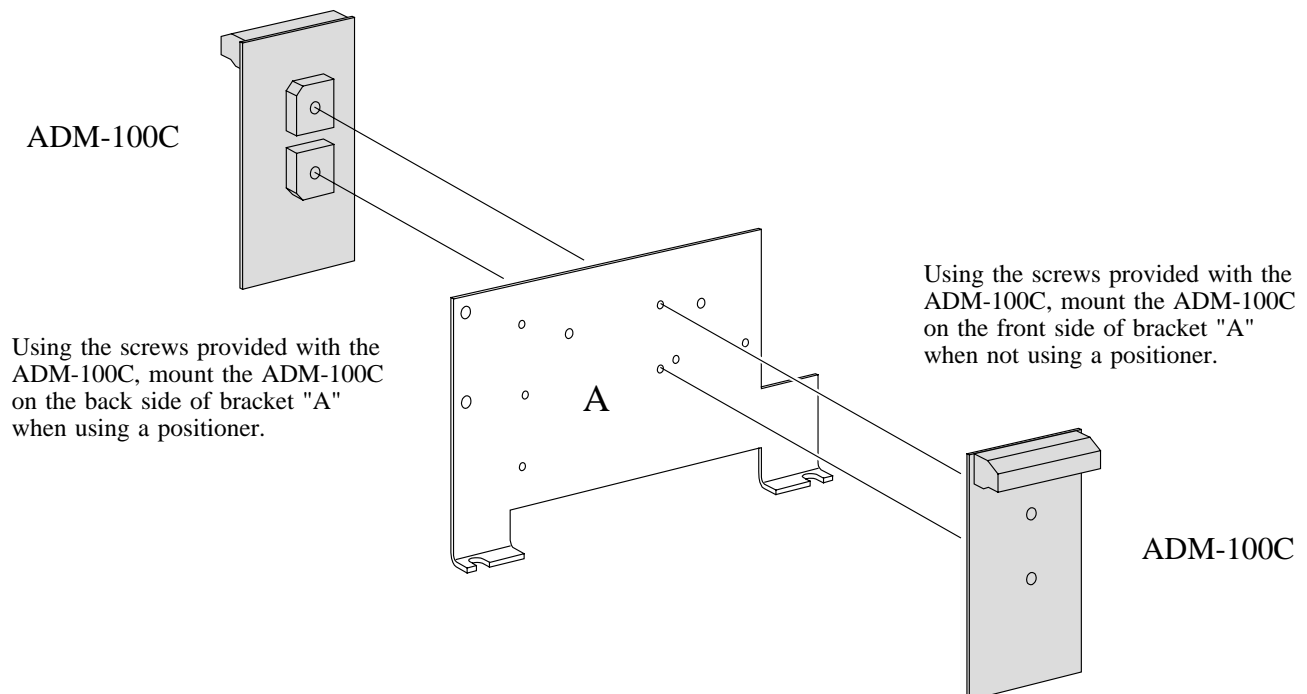
Wiring Diagram for I-Tork actuators
ITQ0160, 0240, 0350

The ADM-100C AC to DC Module allows a 24VDC actuator to be controlled like a 24VAC split-phase motor actuator.



ADM-100C MOUNTING

I-Tork actuators ITQ0160, 0240, 0350

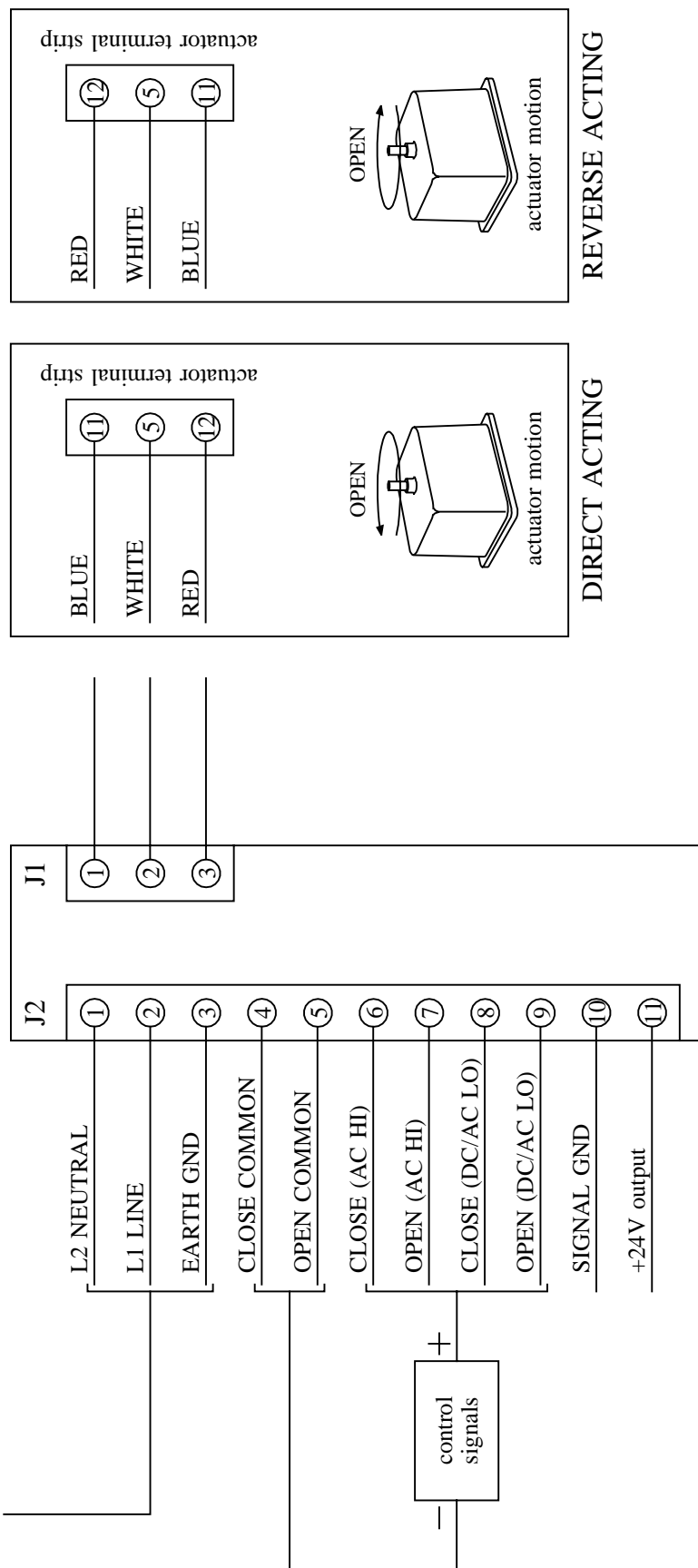


AC ON/OFF CONTROLLERS

WIRING DIAGRAM

I-Tork ITQ0160, 0240, 0350, 0500, 0800, 1100, 1500, 2000, 3000 Actuators

117VAC AMI-103
234VAC AMI-103A



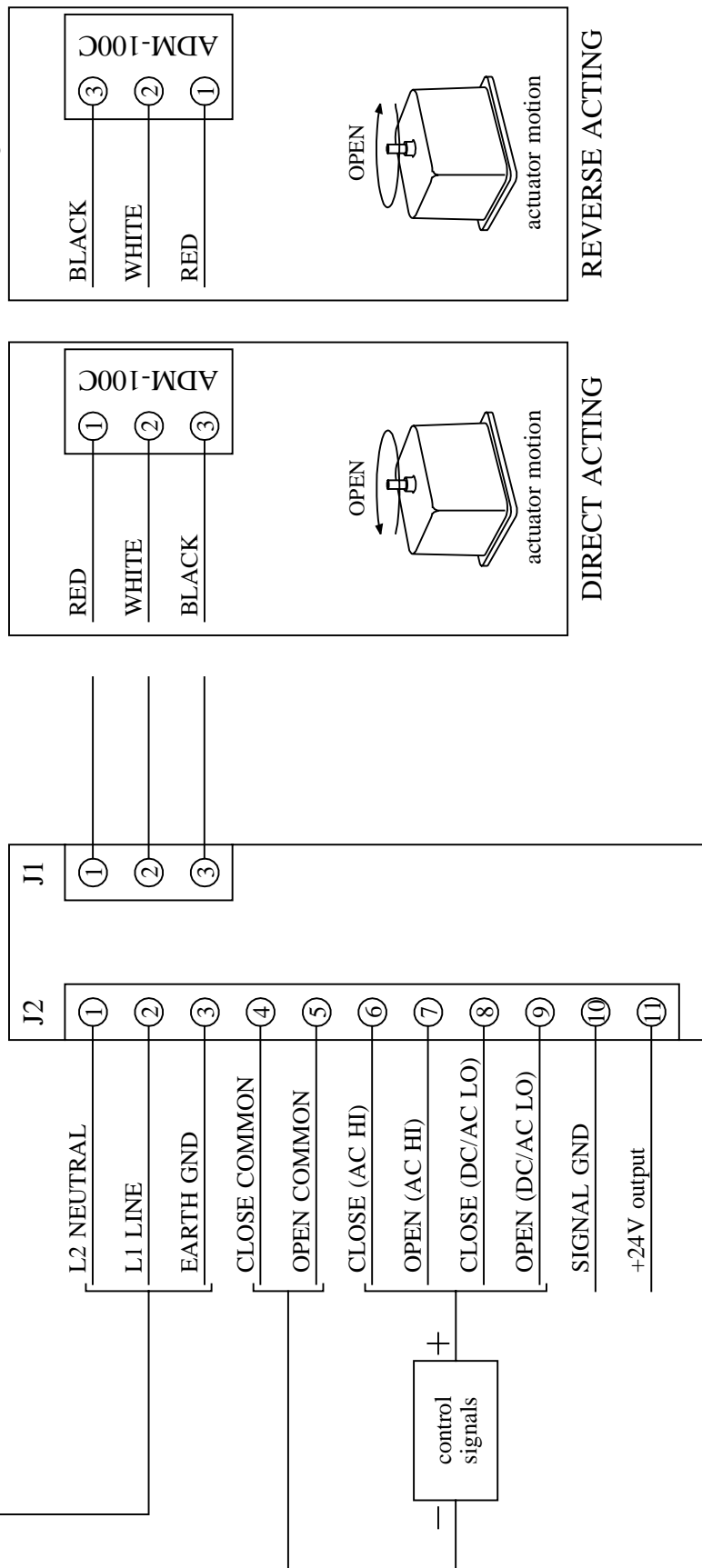
24VAC ON/OFF CONTROLLER

WIRING DIAGRAM

I-Tork ITQ0160, 0240, 0350 Actuators

24VAC AMI-103B

NOTE: This application uses a 24VDC actuator with an ADM-100C AC to DC Module installed. See ADM-100C wiring.

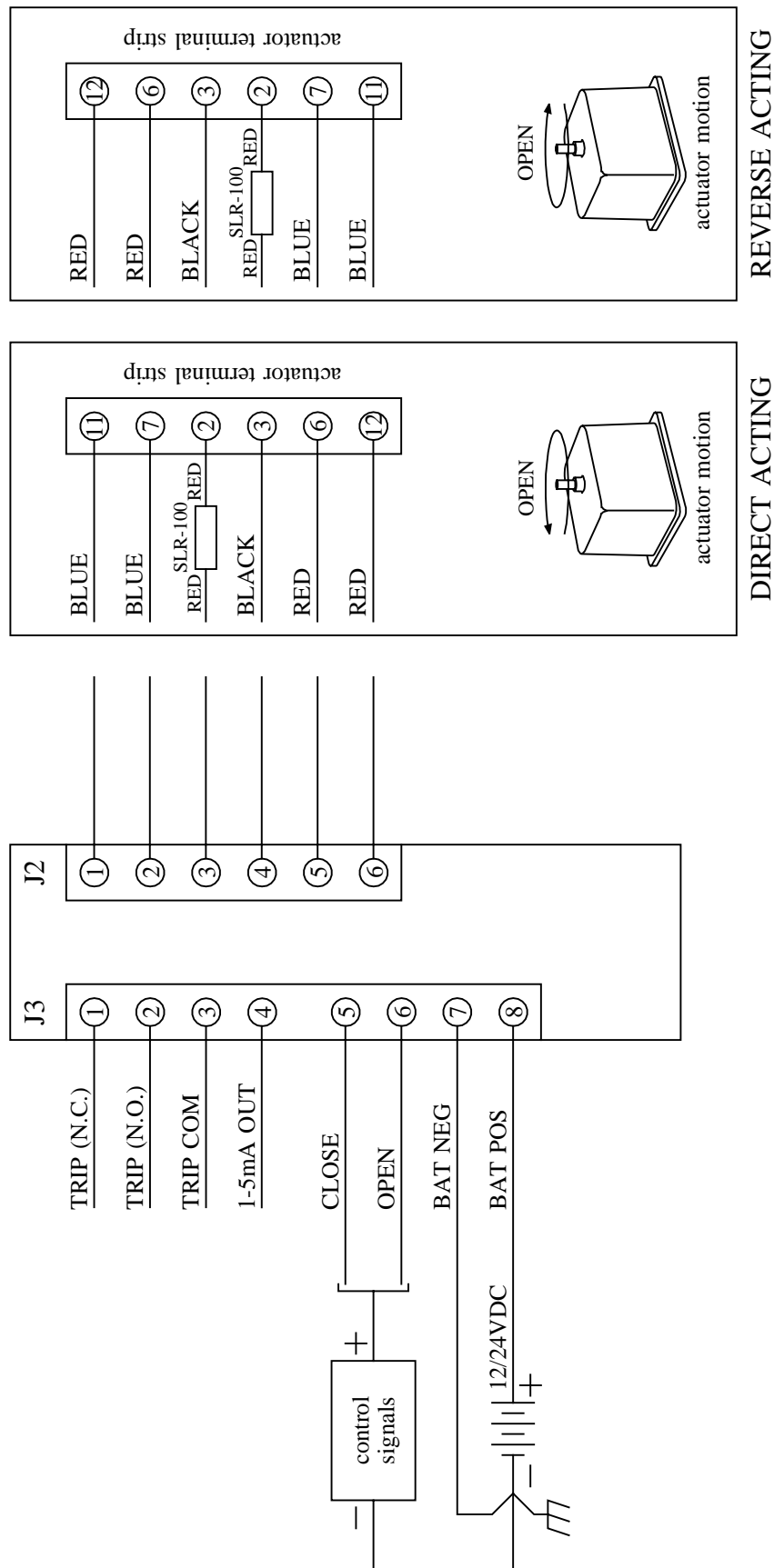


DC ON/OFF CONTROLLER

WIRING DIAGRAM

I-Tork ITQ0160, 0240, 0350 Actuators

RCM-101D

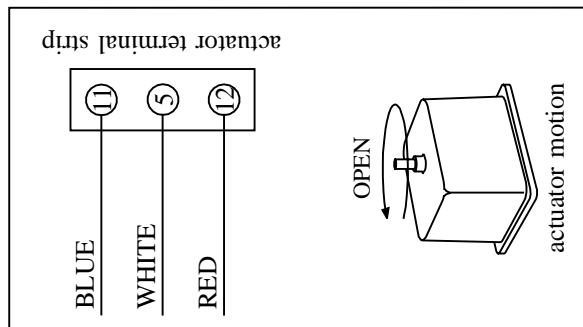
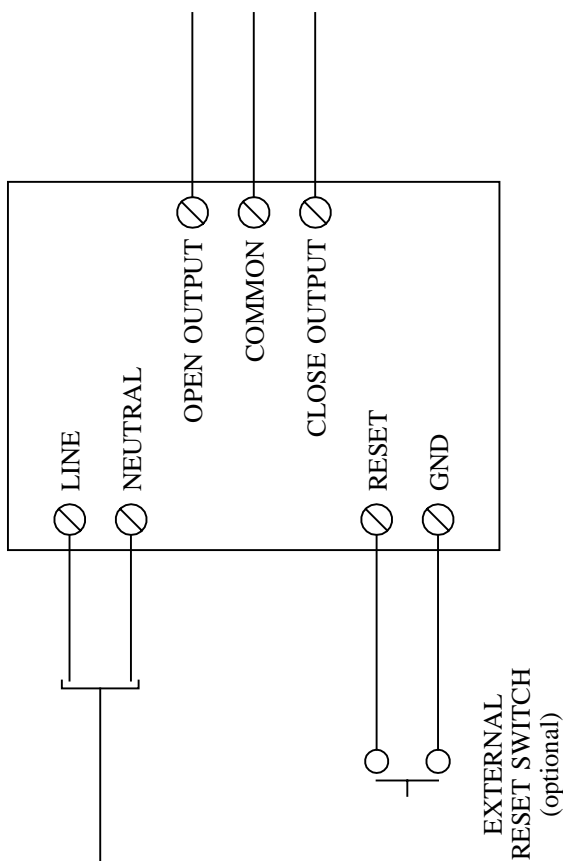


AC SEQUENCE TIMERS

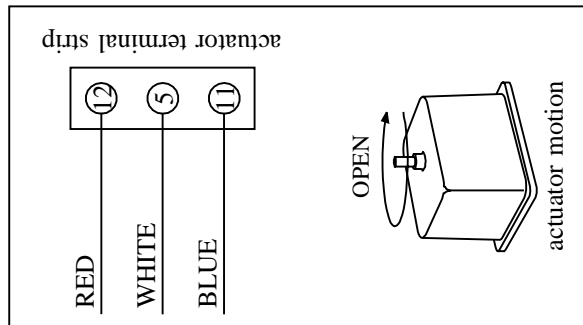
WIRING DIAGRAM

I-Tork ITQ0160, 0240, 0350 Actuators

117VAC AST-100
234VAC AST-100A



DIRECT ACTING



REVERSE ACTING